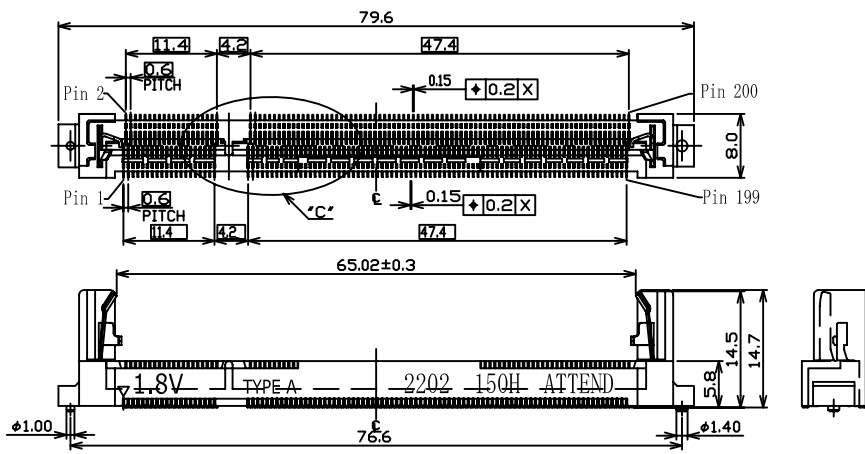


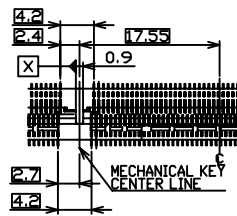
SWITCH CIRCUIT

MATERIAL AND FINISH AS BELOW

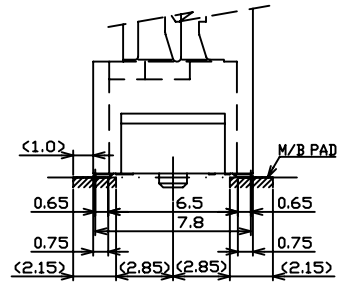
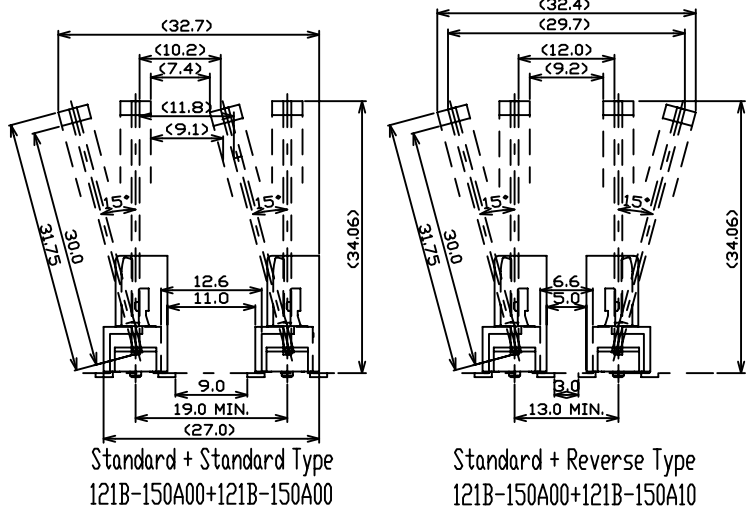
WHEN CARD IS EJECTED	WHEN CARD IS INSERTED	A	Housing	LCP UL94V-0 Beige	E				
		B	Contact	Phosphor Bronze C5210, Contact Area: Gold Flash	F				
		C	Latch	Stainless Steel SUS301	G				
		D			H				



NOTES:  
 DATE CODE 2202 (YVWD)  
 Y: 2 YEAR (2012)  
 WW: 20 WEEK (01~52)  
 D: 2 DAY (01~07)



DETAIL C



**SPECIFICATION:**

- 1. ELECTRICAL**
- 1.1 Current Rating: 0.5A per pin
  - 1.2 Voltage Rating: 25V AC/DC
  - 1.3 Contact Resistance: 60mΩ
  - 1.4 Insulation Resistance: 500MΩ
  - 1.5 Dielectric Withstanding Voltage: 125VAC

- 2. MECHANICAL**
- 2.1 Durability: 25 Cycle
  - 2.2 Latch Retention Force: 8 N/Pos. Min

- 3. ENVIRONMENTAL**
- 3.1 Operating temperature range: -40°C~+85°C
  - 3.2 Storage temperature range: -40°C~+85°C

- 4. SOLDER ABILITY**
- 4.1 Recommended IR Reflow Temperature: 255°C 10Sec

P1	P2	P3	P4	P5	P6	P7	P8	P9	P10	P11	P12
PIN ASSIGNMENT											
121B-150A00 SO DIMM DDR2 Socket 1.8V 200Pin 15.0H Vertical Type, Contact Area: Gold Flash											
PRODUCT NO. DESCRIPTION											

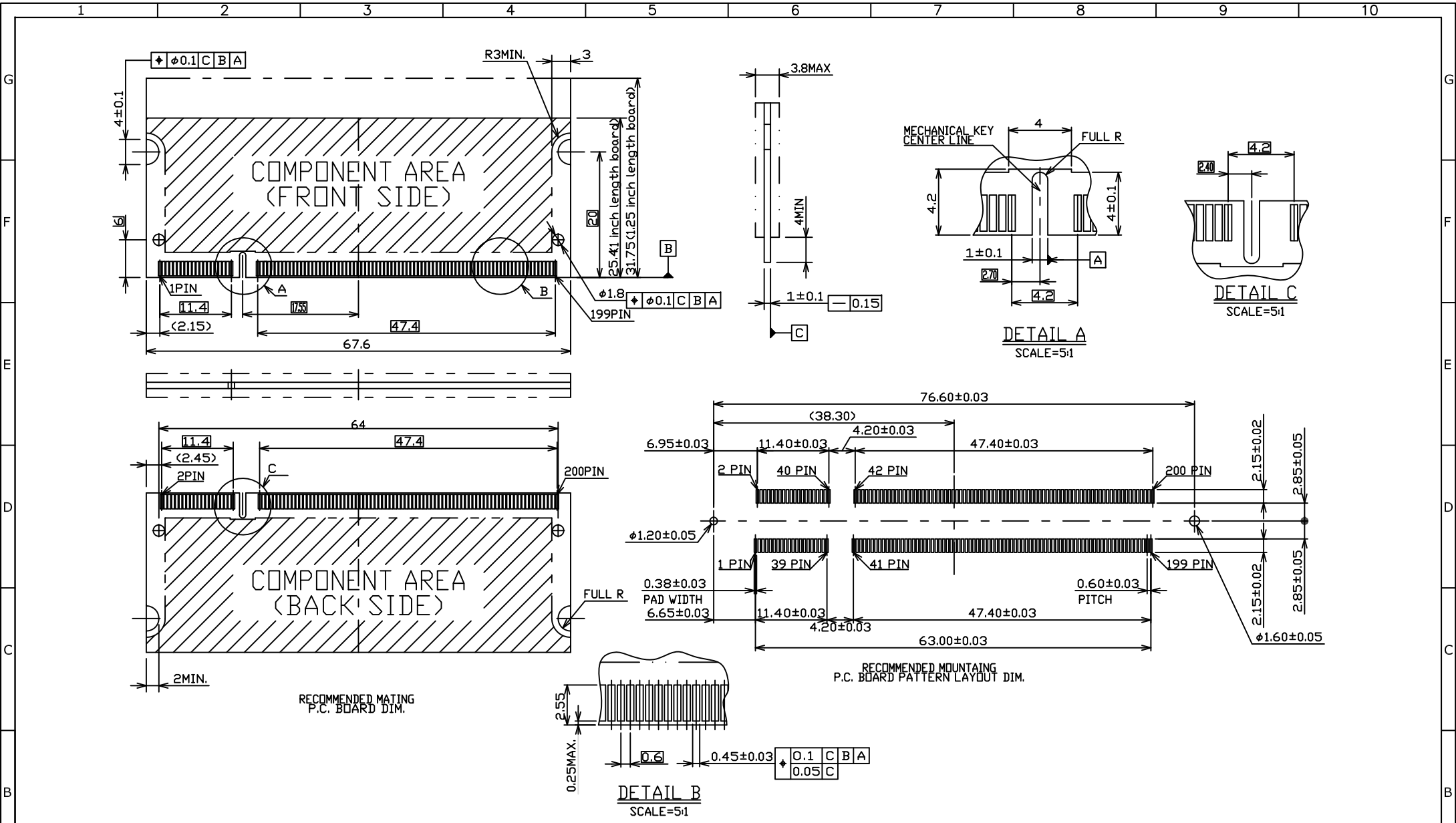
UNLESS OTHERWISE SPECIFIED TOLERANCE		
ANGLES	ANG.	±5°
LINEAR	0.	±0.3
	0.0	±0.25
	0.00	±0.20
SCALE	AS SHOWN	UNIT: mm
DRAWN	Willis	2012/12/05
CHECKED	Angel	2012/12/05
APPROVED	Ken	2012/12/05



www.attend.com.tw  
 DRAWN NAME: SO DIMM DDR2 Socket 1.8V 200Pin 15.0H Vertical Type  
 PRODUCT NO. 121B-150A00  
 FILE NAME 121B-150A00\_B\_1

- △ Revise:
- △ Revise:
- △ Revise:

REV.	DESCRIPTION	DATE	REV.	DESCRIPTION	DATE	SIZE	REV.	FILE NAME
1						A4	1.0	121B-150A00_B_1



REV.	DESCRIPTION	DATE	REV.	DESCRIPTION	DATE	SIZE	REV.	FILE NAME
1			1			A4	1.0	121B-150A00_B_1

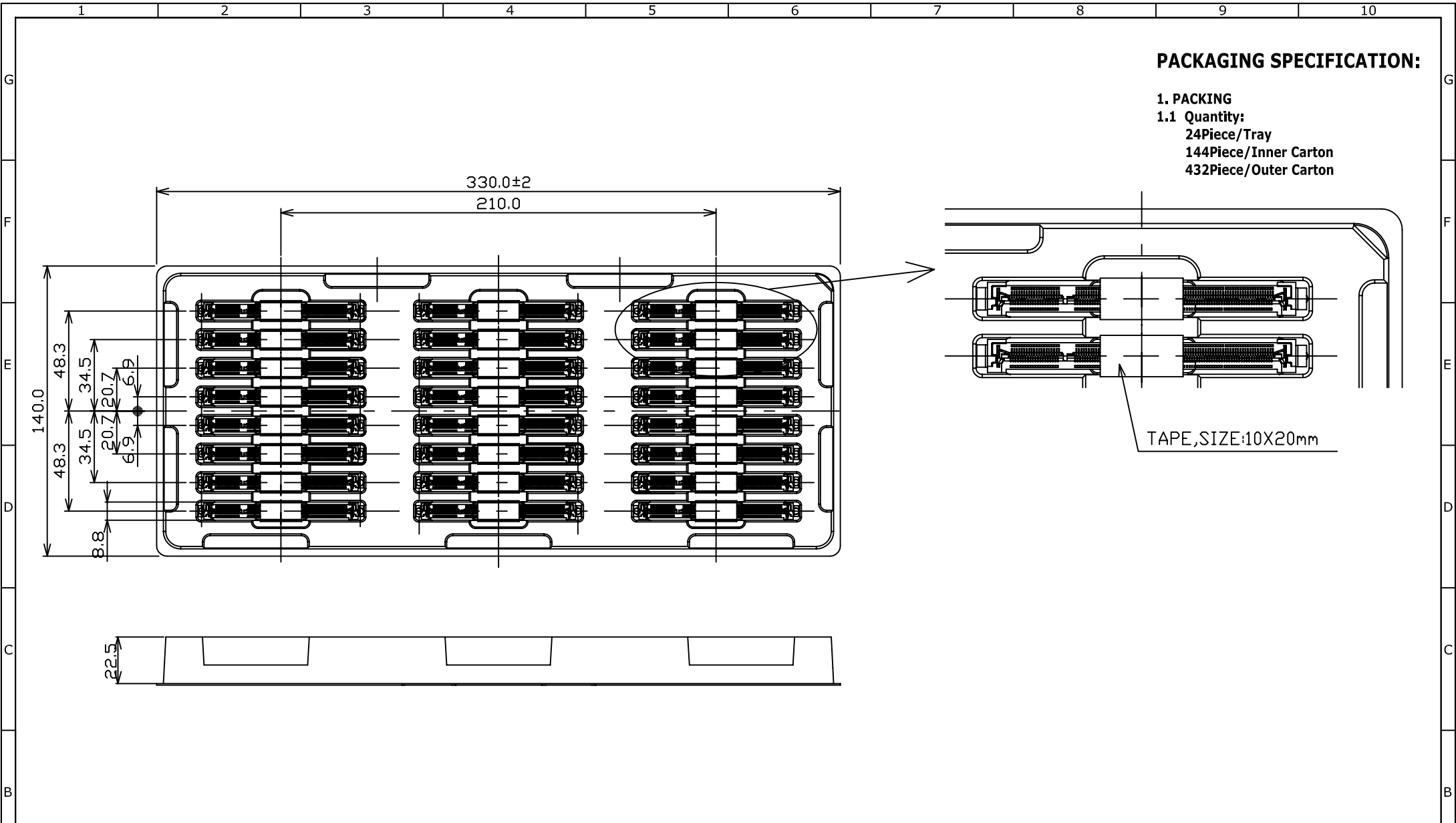
  

UNLESS OTHERWISE SPECIFIED TOLERANCE		
ANGLES	ANG.	±5°
LINEAR	0.	±0.3
	0.0	±0.25
	0.00	±0.20
SCALE	AS SHOWN	UNIT: mm

A  Revise: Revise: Revise:	DRAWN: Willis CHECKED: Angel APPROVED: Ken	2012/12/05 2012/12/05 2012/12/05	DRAWN NAME: SO DIMM DDR2 Socket 1.8V 200Pin 15.0H Vertical Type
			PRODUCT NO. 121B-150A00 www.attend.com.tw





**PACKAGING SPECIFICATION:**

- 1. PACKING
- 1.1 Quantity:
  - 24Piece/Tray
  - 144Piece/Inner Carton
  - 432Piece/Outer Carton

REV.	DESCRIPTION	DATE	REV.	DESCRIPTION	DATE	SIZE	REV.	FILE NAME
1			4			A4	1.0	121B-150A00_D_1
2			5					
3			6					
4			7					
5			8					
6			9					
7			10					

UNLESS OTHERWISE SPECIFIED TOLERANCE		
ANGLES	ANG.	±5°
LINEAR	0.	±0.3
	0.00	±0.25
		±0.20
SCALE	AS SHOWN	UNIT: mm

A  Revise: Revise: Revise:	DRAWN: Willis CHECKED: Angel APPROVED: Ken	2012/12/05 2012/12/05 2012/12/05	www.attend.com.tw DRAWN NAME: SO DIMM DDR2 Socket 1.8V 200Pin 15.0H Vertical Type
			PRODUCT NO. 121B-150A00 FILE NAME 121B-150A00_D_1

