

4

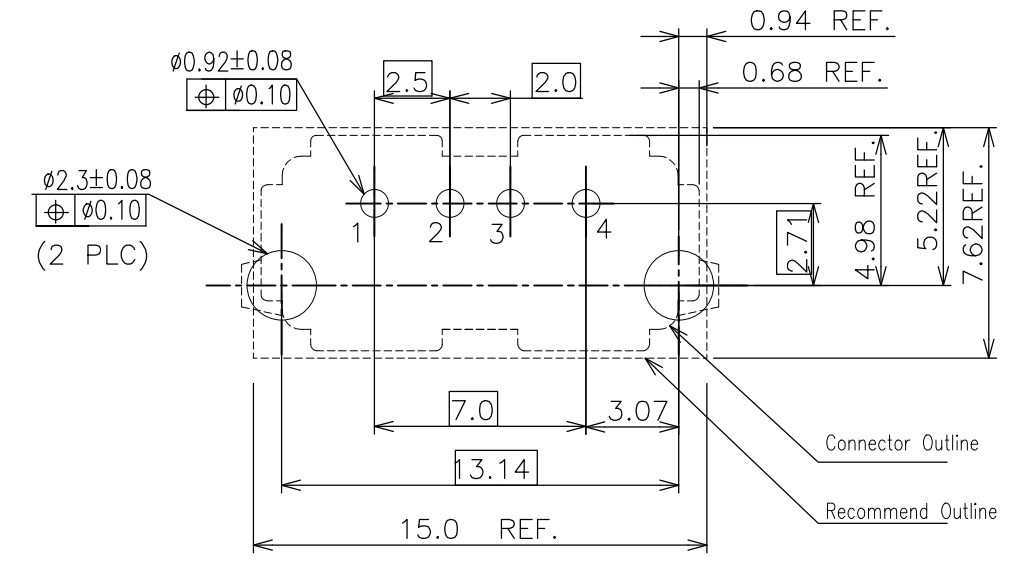
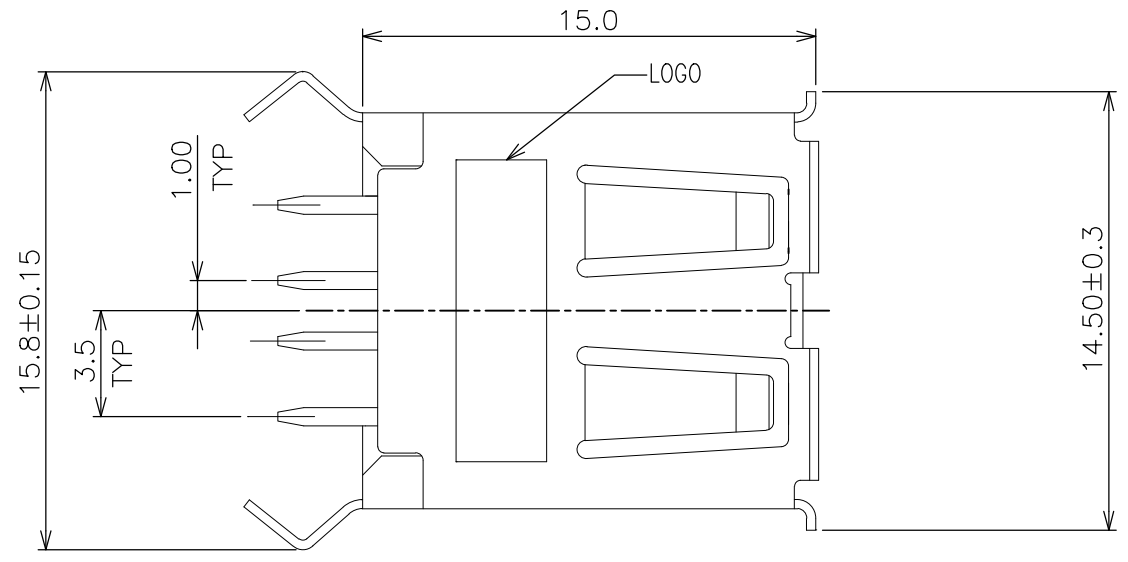
3

2

1

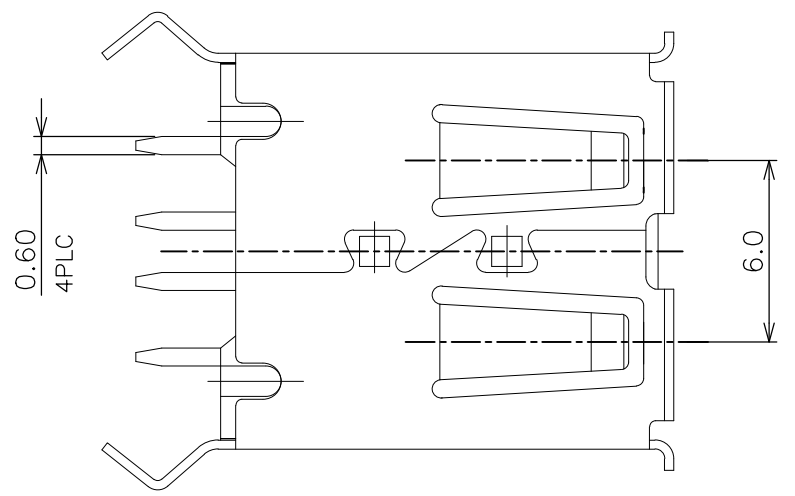
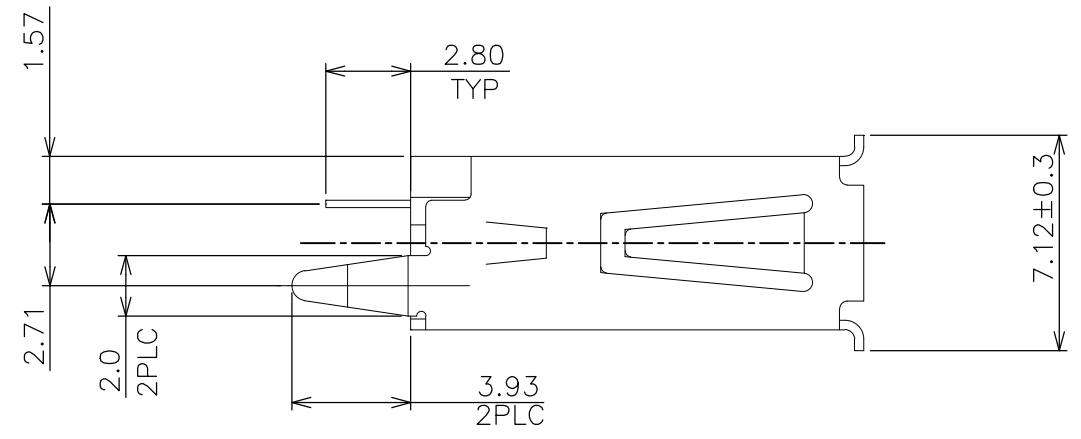
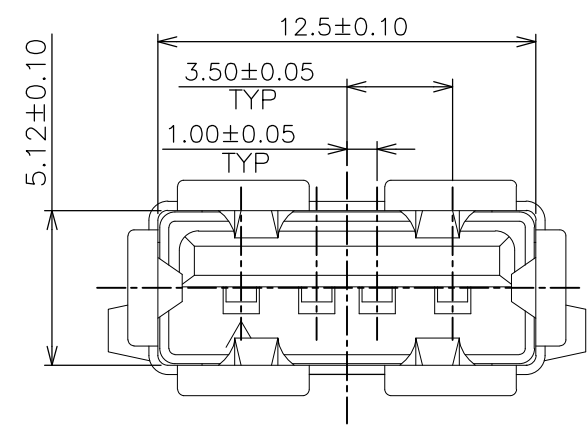
THIS DRAWING IS UNPUBLISHED. RELEASED FOR PUBLICATION
 © COPYRIGHT BY TYCO ELECTRONICS CORPORATION. ALL RIGHTS RESERVED.

LOC	DIST	REVISIONS			
P	LTR	DESCRIPTION	DATE	DWN	APVD
DW		C3 REVISED	1MAR16	A.X	H.W



RECOMMENDED P.C.BOARD LAYOUT(T=1.6)
(TOP VIEW)(TOLERANCE:±0.05)

- NOTE:
- MATERIAL:
 - HOUSING: PBT(SOLDER CAPABLE,UL 94-V0,COLOR:SEE TABLE.)
 - HOUSING: PA9T(REFLOW CAPABLE,UL 94-V0,COLOR:SEE TABLE.)
 - CONTACT: PHOSPHOR BRONZE, THICKNESS =0.25mm.
 - SHIELD: BRASS, THICKNESS=0.30mm.
 - FINISH:
 - CONTACT:GOLD FLASH OVER
 - 0.762um[30u"]MIN. PALLADIUM-NICKEL PLATED ON CONTACT
 - 2.54um[100u"]MIN. MATTE-TIN ON SOLDER TAILS,
 - 1.27um[50u"]MIN. NICKEL UNDERPLATED ALL OVER.
 - SHIELD: 2.54um [100u"] MIN. TIN PLATED OVER
 - 1.27um [50u"] MIN. NICKEL UNDERPLATED



SEE SHEET 3	BLACK	1734366-5	△
SEE SHEET 4	BLACK	1734366-4	△
	BLUE	1734366-3	
SEE SHEET 3	WHITE	1734366-2	
	BLACK	1734366-1	
PACKING	HSG'S COLOR	PART NUMBER	HOUSING MATERIAL

THIS DRAWING IS A CONTROLLED DOCUMENT.		DWN	S. CHIEN	19SEP2008	RECEIPT ASSY,VERTICAL,4POSITION THRU-HOLE,TYPE A USB					
DIMENSIONS: mm		CHK	S. CHIEN	19SEP2008				NAME PRODUCT SPEC 108-57547 APPLICATION SPEC 501-57635		
TOLERANCES UNLESS OTHERWISE SPECIFIED:		APVD	W.KODAMA	19SEP2008						
0 PLC ± 0.38 1 PLC ± 0.25 2 PLC ± 0.13 3 PLC ± 0.05 ANGLES ± 2' FINISH SEE NOTE		MATERIAL		SEE NOTE				WEIGHT 1.82 GRAMS CUSTOMER DRAWING		
SCALE SHEET 1 OF 5 REV C3										

4

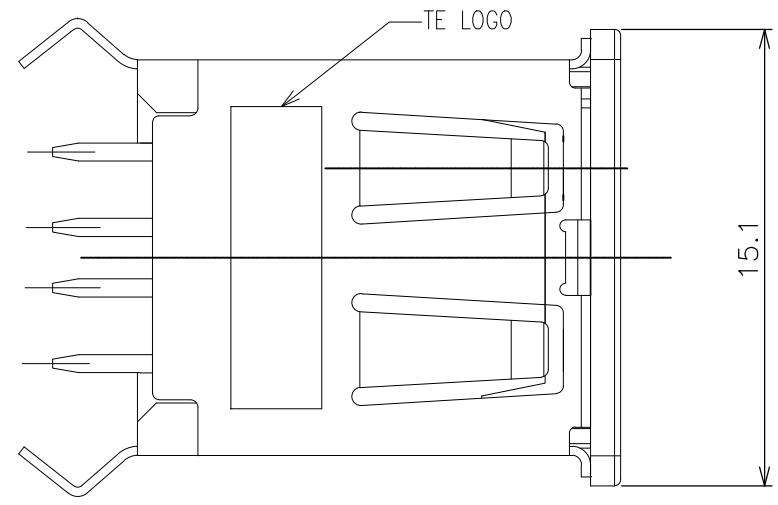
3

2

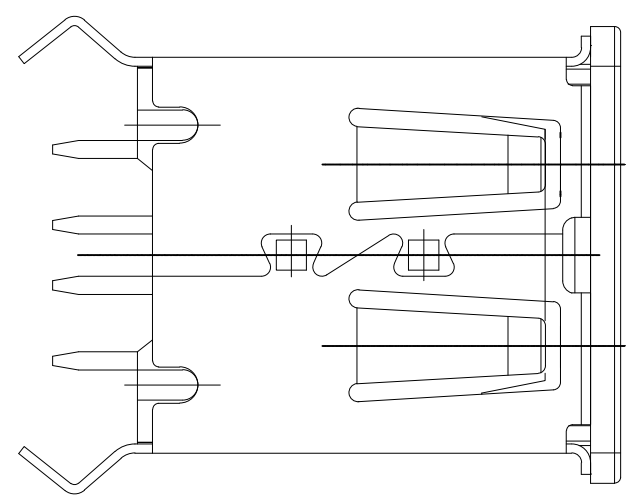
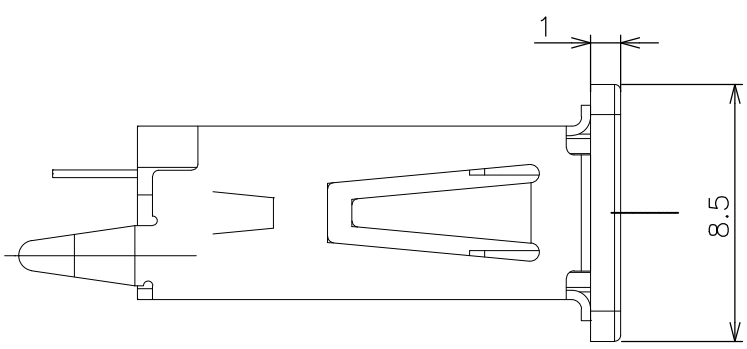
1

THIS DRAWING IS UNPUBLISHED. RELEASED FOR PUBLICATION
 © COPYRIGHT BY TYCO ELECTRONICS CORPORATION. ALL RIGHTS RESERVED.

LOC		DIST		REVISIONS			
P	LTR	DESCRIPTION	DATE	DWN	APVD		



1734366-6 AS SHOW
 OTHER DIMENSIONS ARE THE SAME AS SHEET1



SEE SHEET 5	BLACK	1734366-6	▲
PACKING	HSG'S COLOR	PART NUMBER	HOUSING MATERIAL

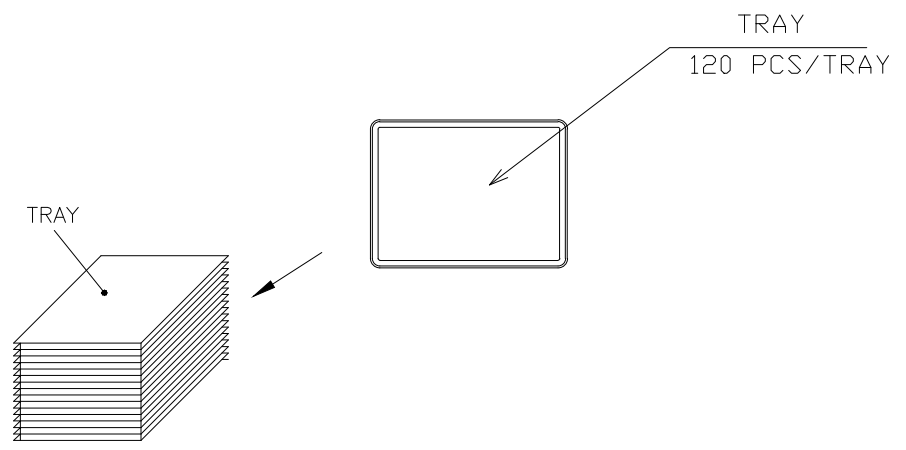
THIS DRAWING IS A CONTROLLED DOCUMENT.		DWN			
DIMENSIONS: mm		CHK			
TOLERANCES UNLESS OTHERWISE SPECIFIED:		APVD	NAME		
0 PLC ± 0.38 1 PLC ± 0.25 2 PLC ± 0.13 3 PLC ± 0.05		PRODUCT SPEC	RECEPT ASSY,VERTICAL,4POSITION THRU-HOLE,TYPE A USB		
ANGLES ± 2° FINISH		APPLICATION SPEC	SIZE	CAGE CODE	DRAWING NO
MATERIAL		WEIGHT	A3	00779	©=1734366
CUSTOMER DRAWING			SCALE	SHEET	REV
			—	2 OF 5	C3

THIS DRAWING IS UNPUBLISHED. RELEASED FOR PUBLICATION
 © COPYRIGHT BY TYCO ELECTRONICS CORPORATION. ALL RIGHTS RESERVED.

LOC	DIST	REVISIONS			
P	LTR	DESCRIPTION	DATE	DWN	APVD

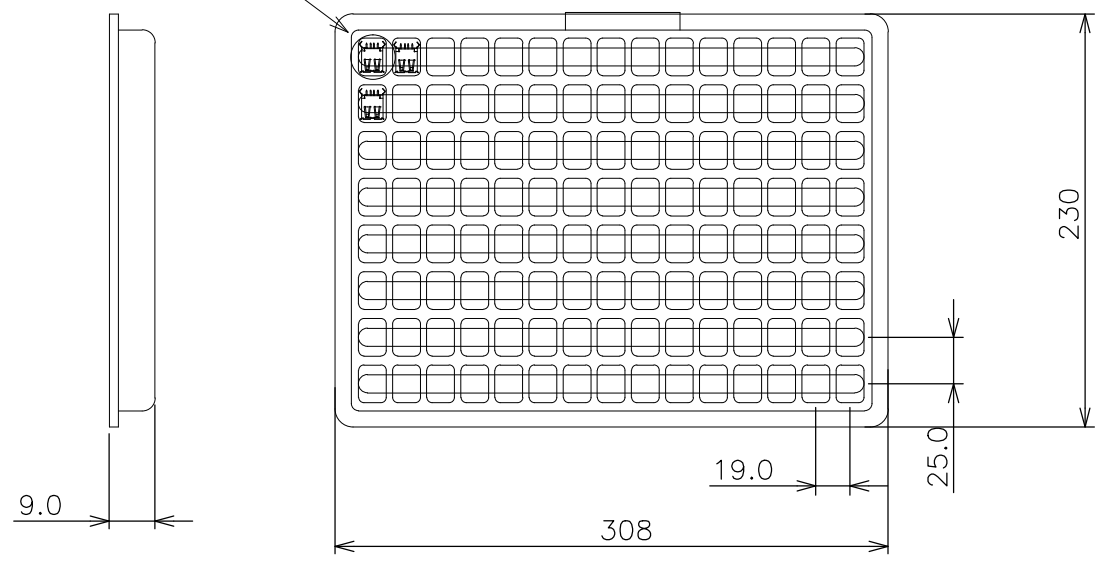
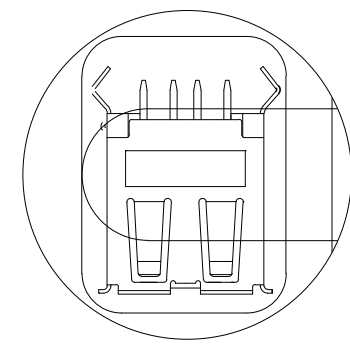
D

D



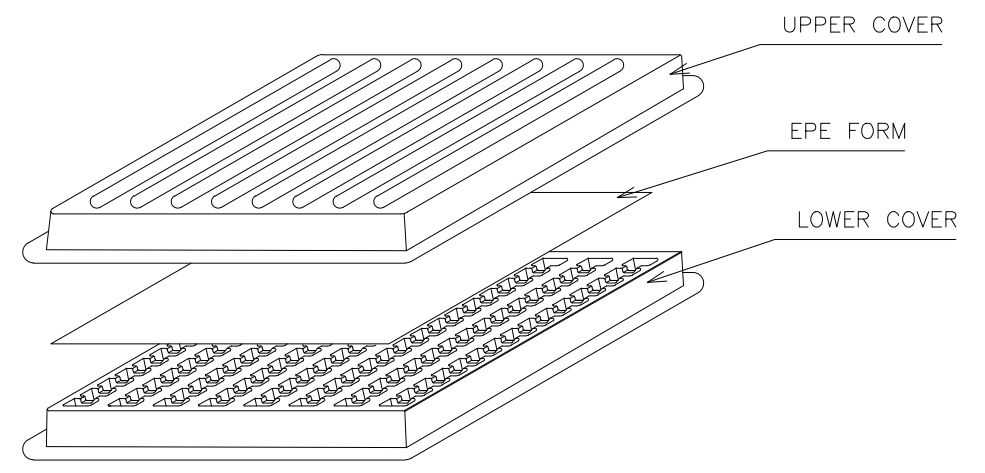
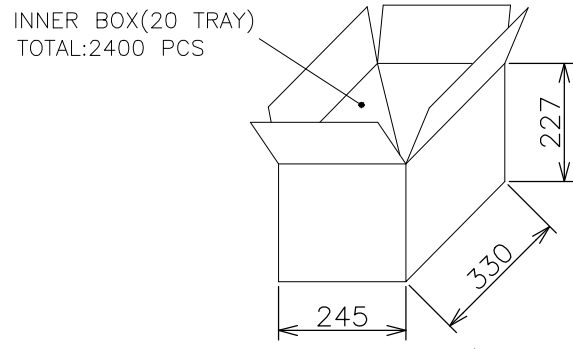
USE THE TAPE TO FIX THE TRAY(4X)

VIEW A



C

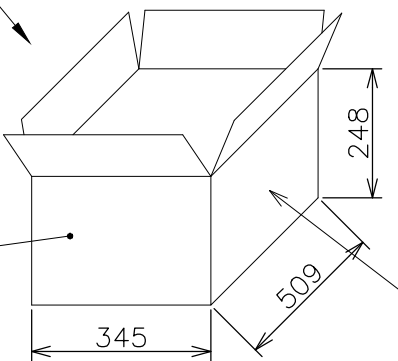
C



B

B

NOTE :
 1. PACKAGING MATERIAL IN PLASTIC, RUBBER,INK,PIGMENT AND PAINT
 MUST MEET CONTROLLED SUBSTANCES SPEC PER 230-702.
 * CADMIUM AND CADMIUM COMPOUNDS NOT TO EXCEED:5 PPM.
 * LEAD,CADMIUM,CHROM VI AND MERCURY NOT TO EXCEED:100 PPM(COMBINED).
 2. MATERIAL :
 TRAY: PVC, UPPER COVER THICKNE=0.3MM.
 LOWER COVER THICKNE=0.4MM



CARTON
 2:INNER BOX/CARTON
 TOTAL:4800PCS
 GROSS WEIGHT:12.2 KGS
 NET WEIGHT:11.2 KGS

4800	1734366-5
4800	1734366-2
4800	1734366-1
QTY	PART NUMBER

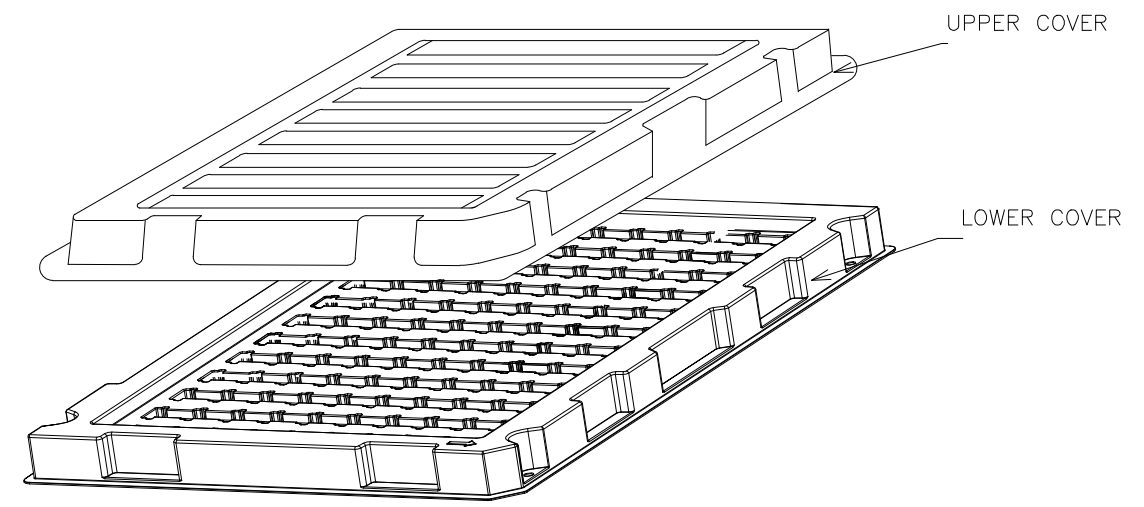
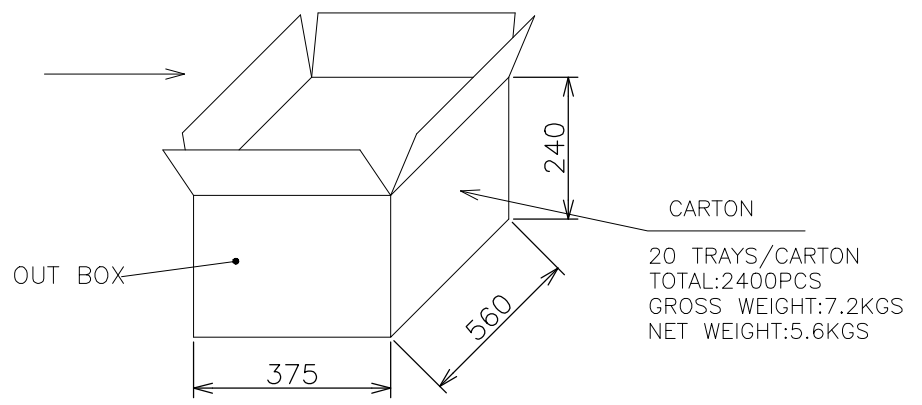
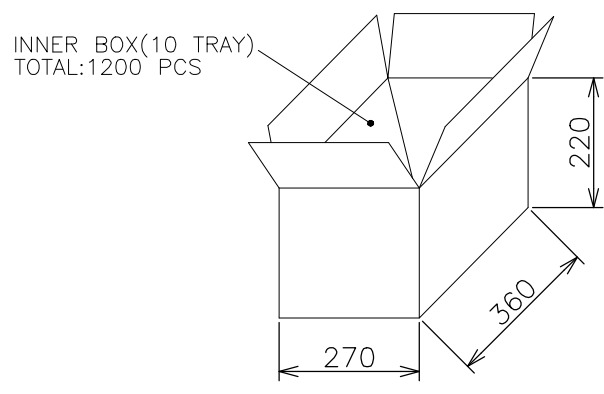
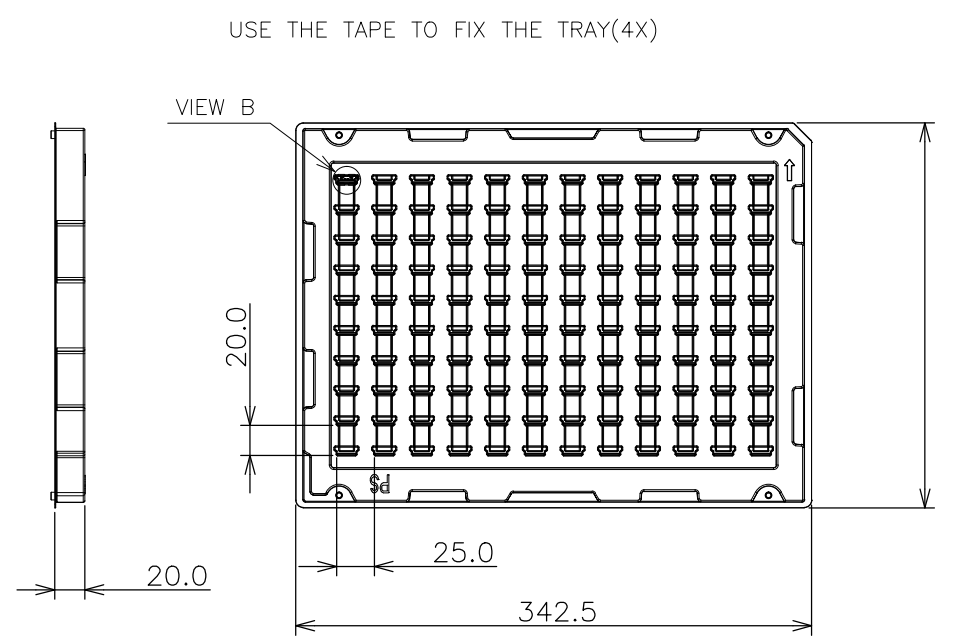
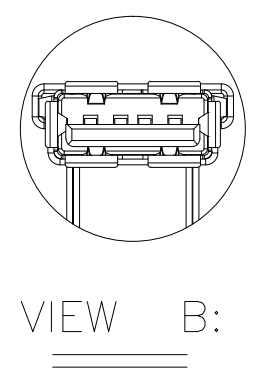
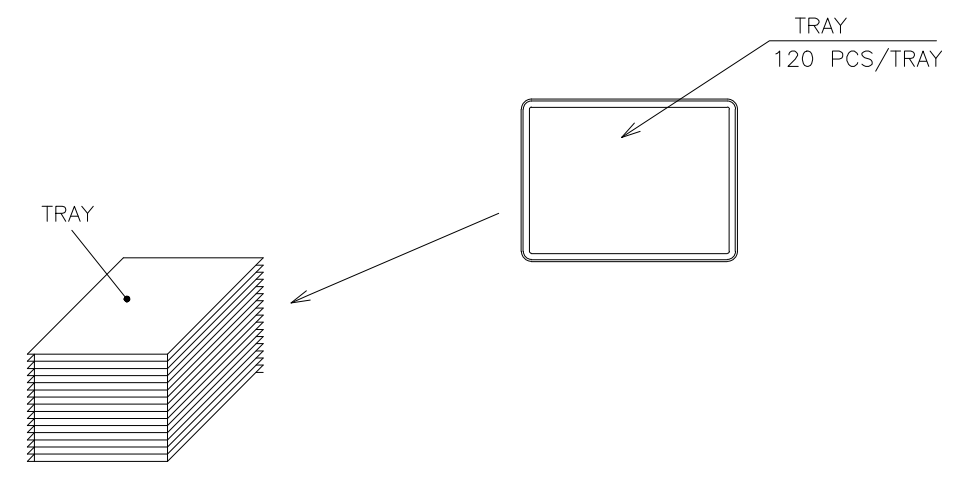
A

A

THIS DRAWING IS A CONTROLLED DOCUMENT.		DWN			
DIMENSIONS: mm		CHK			
TOLERANCES UNLESS OTHERWISE SPECIFIED:		APVD	NAME		
0 PLC ± - 1 PLC ± 0.3 2 PLC ± 0.2 3 PLC ± 0.15 4 PLC ± - ANGLES ± 3'		PRODUCT SPEC	RECEIPT ASSY,VERTICAL,4POSITION THRU-HOLE,TYPE A USB		
MATERIAL		APPLICATION SPEC	SIZE	CAGE CODE	DRAWING NO
FINISH		WEIGHT	A3	00779	C-1734366
		CUSTOMER DRAWING	RESTRICTED TO		
		SCALE	SHEET	3 OF 5	REV C3

THIS DRAWING IS UNPUBLISHED. RELEASED FOR PUBLICATION
 © COPYRIGHT BY TYCO ELECTRONICS CORPORATION. ALL RIGHTS RESERVED.

LOC	DIST	REVISIONS			
P	LTR	DESCRIPTION	DATE	DWN	APVD



NOTE :
 1. PACKAGING MATERIAL IN PLASTIC, RUBBER,INK,PIGMENT AND PAINT MUST MEET CONTROLLED SUBSTANCES SPEC PER 230-702.
 * CADMIUM AND CADMIUM COMPOUNDS NOT TO EXCEED:5 PPM.
 * LEAD,CADMIUM,CHROM VI AND MERCURY NOT TO EXCEED:100 PPM(COMBINED).
 2. MATERIAL :
 TRAY: PS, UPPER COVER THICKNE=0.5MM. LOWER COVER THICKNE=0.7MM

2400	1734366-4
2400	1734366-3
QTY	PART NUMBER

THIS DRAWING IS A CONTROLLED DOCUMENT.		DWN			
DIMENSIONS: mm		CHK			
TOLERANCES UNLESS OTHERWISE SPECIFIED:		APVD	NAME		
0 PLC ± -		PRODUCT SPEC	RECEIPT ASSY,VERTICAL,4POSITION THRU-HOLE,TYPE A USB		
1 PLC ± 0.3		APPLICATION SPEC	SIZE	CAGE CODE	DRAWING NO
2 PLC ± 0.2		WEIGHT	A3	00779	1734366
3 PLC ± 0.15		CUSTOMER DRAWING	SCALE		SHEET 4 of 5
4 PLC ± -			REV C3		
ANGLES ± 3'					
MATERIAL					
FINISH					

4

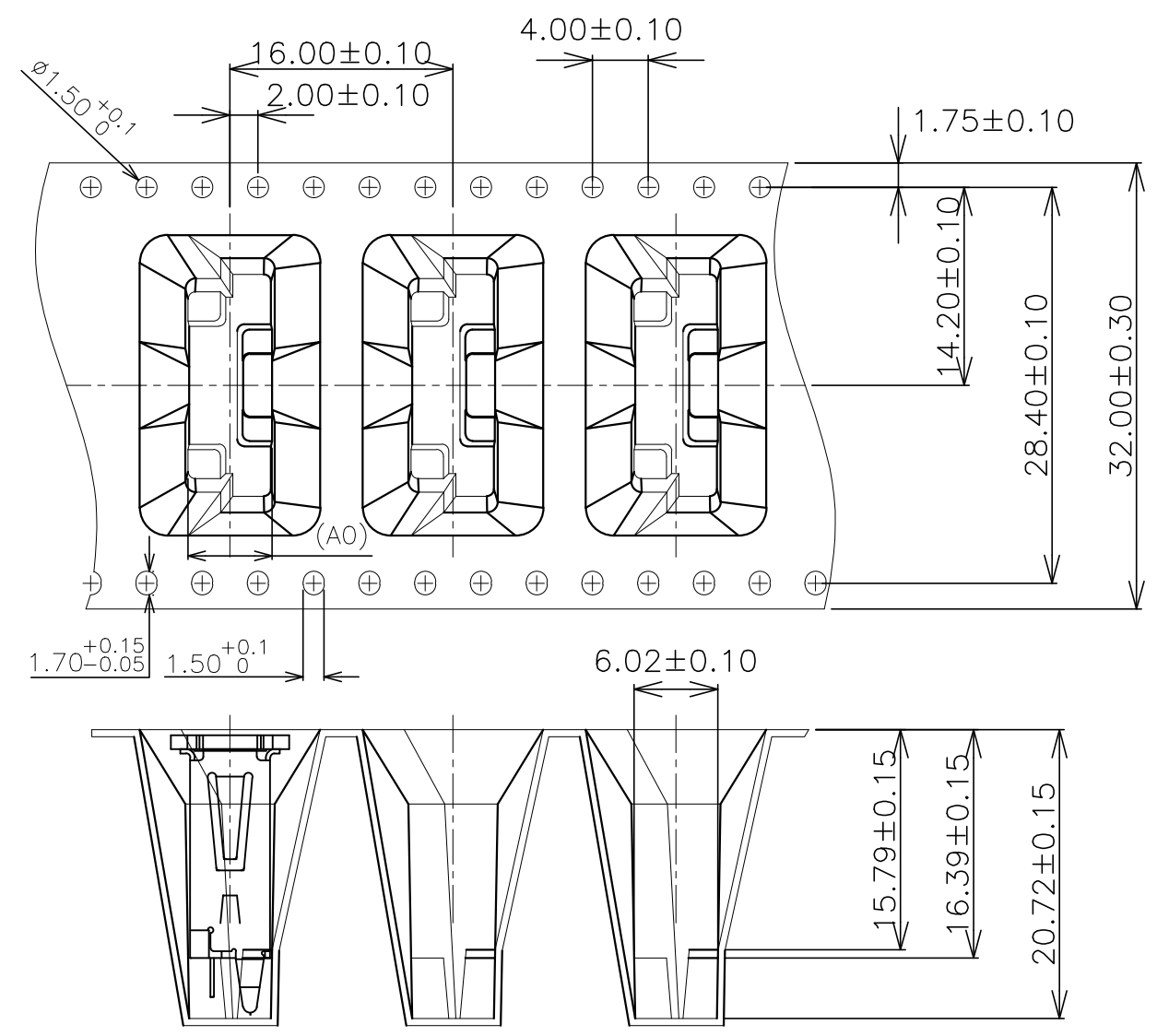
3

2

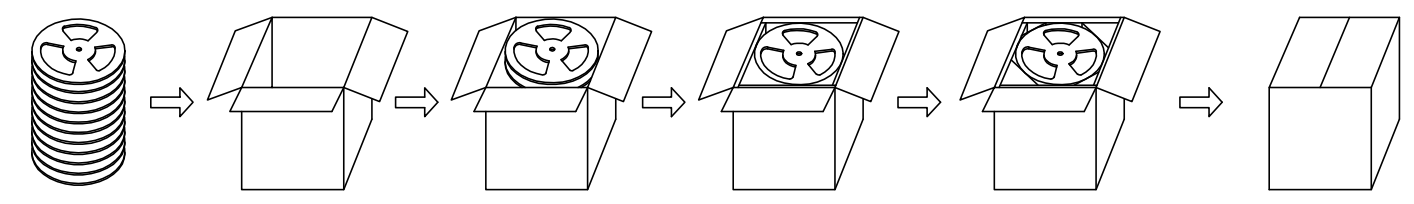
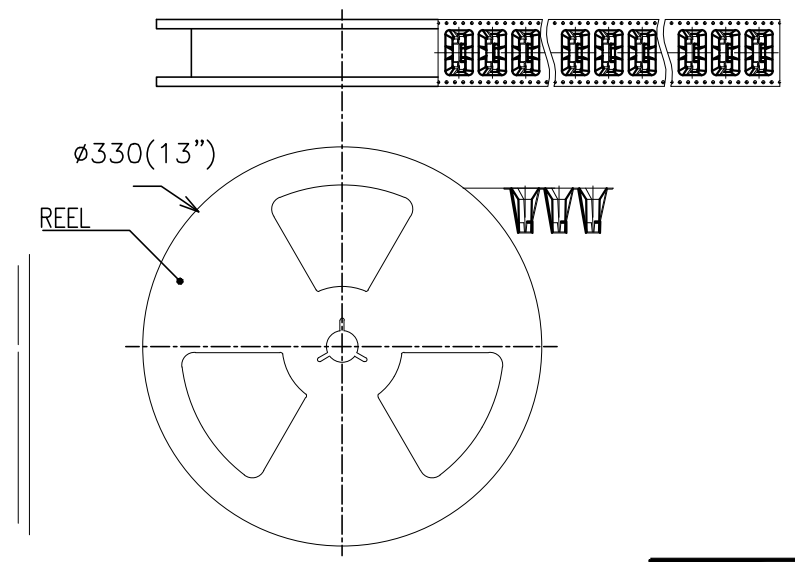
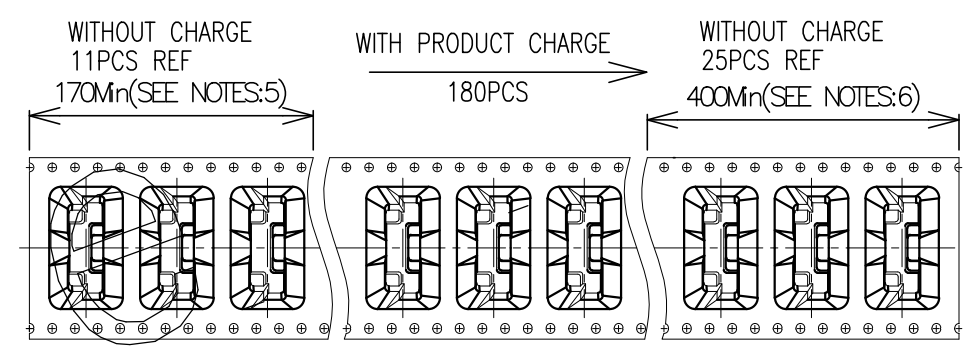
1

THIS DRAWING IS UNPUBLISHED. RELEASED FOR PUBLICATION
 © COPYRIGHT BY TYCO ELECTRONICS CORPORATION. ALL RIGHTS RESERVED.

LOC		DIST		REVISIONS				
P	LTR	DESCRIPTION			DATE	DWN	APVD	



NOTE :
 1. PACKAGING MATERIAL IN PLASTIC, RUBBER, INK, PIGMENT AND PAINT
 MUST MEET CONTROLLED SUBSTANCES SPEC PER 230-702.
 * CADMIUM AND CADMIUM COMPOUNDS NOT TO EXCEED:5 PPM.
 * LEAD, CADMIUM, CHROM VI AND MERCURY NOT TO EXCEED:100 PPM (COMBINED).
 2. MATERIAL :
 REEL: BLACK CONDUCTIVE POLYSTYRENE ALLOY



OUT BOX PACKAGE DIAGEAM DRAWING

1440	1734366-6
QTY	PART NUMBER

THIS DRAWING IS A CONTROLLED DOCUMENT.		DWN			
DIMENSIONS: mm		CHK			
TOLERANCES UNLESS OTHERWISE SPECIFIED:		APVD	NAME		
0 PLC ± -		PRODUCT SPEC	RECEIPT ASSY, VERTICAL, 4 POSITION THRU-HOLE, TYPE A USB		
1 PLC ± 0.3		APPLICATION SPEC	SIZE	CAGE CODE	DRAWING NO
2 PLC ± 0.2		WEIGHT	A3	00779	C=1734366
3 PLC ± 0.15		CUSTOMER DRAWING	SCALE	SHEET	RESTRICTED TO
4 PLC ± -			-	5 OF 5	-
ANGLES ± 3°					REV C3
MATERIAL					
FINISH					