

1	2	3	4	5	6	7	8	9	10
SWITCH CIRCUIT			MATERIAL AND FINISH AS BELOW						
WHEN CARD IS EJECTED		WHEN CARD IS INSERTED		A	Housing	LCP UL94V-0, Black	E		
				B	Cap	LCP UL94V-0, Black	F		
				C	Contact	Phosphor Bronze C5210, Contact Area:Gold Flash	G		
				D	Shell	Stainless Steel, SUS301	H		

SPECIFICATION:

1. ELECTRICAL

- 1.1 Current Rating: 0.5A per pin
- 1.2 Voltage Rating: 40V AC
- 1.3 Contact Resistance: 30mΩ Max
- 1.4 Insulation Resistance: 1000MΩ Min
- 1.5 Dielectric Withstanding Voltage: 100VAC

2. MECHANICAL

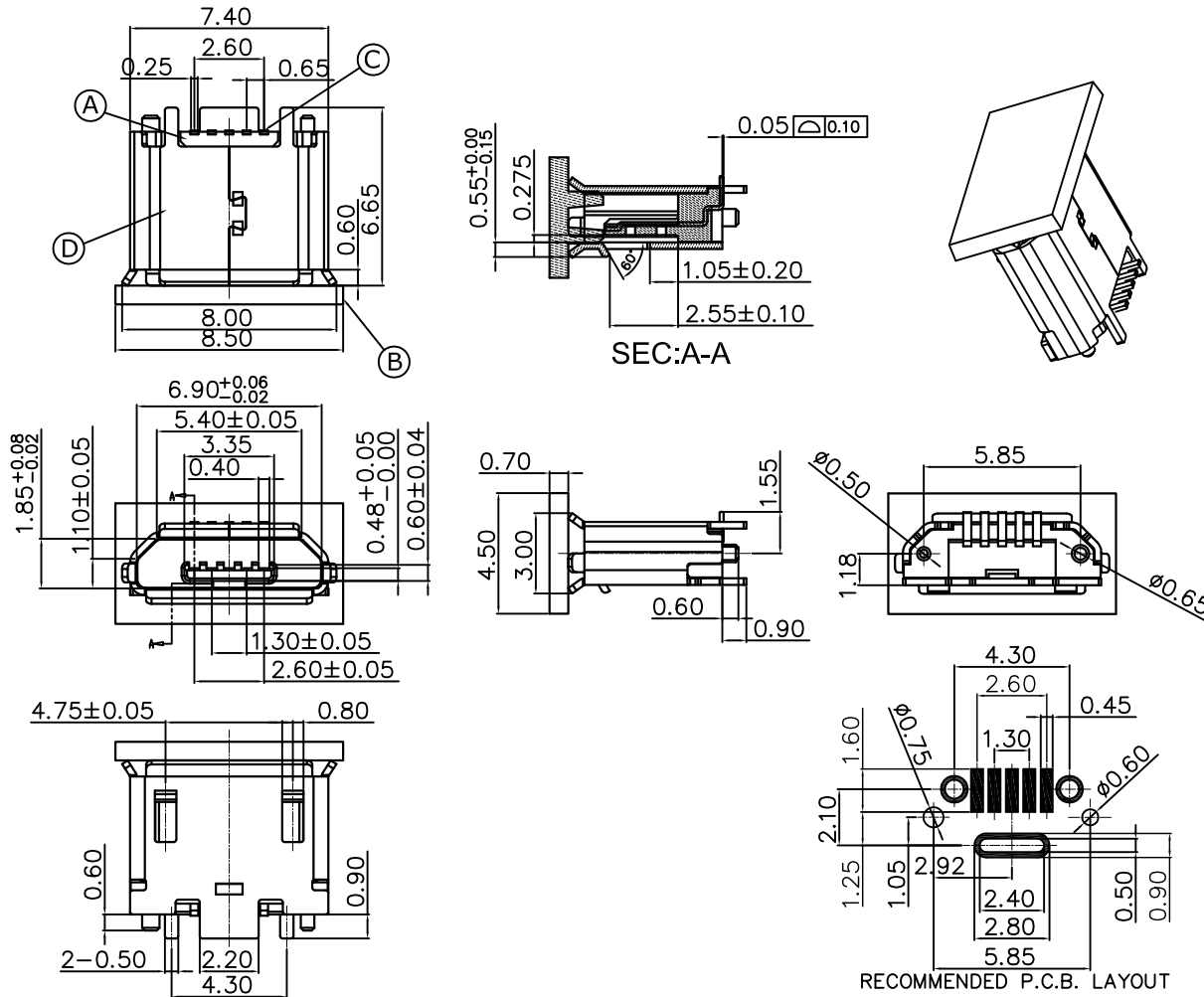
- 2.1 Durability: 10000 Cycle
- 2.2 Insertion Force: 35N max.
- 2.3 Extraction Force: 8N max.

3. ENVIRONMENTAL

- 3.1 Operating temperature range: -30°C~+60°C
- 3.2 Storage temperature range: -40°C~+85°C

4. SOLDER ABILITY

- 4.1 Recommended IR Reflow Temperature: 260°C 10Sec
- 4.2 Recommended PCB Thickness: 1.0mm



P1	P2	P3	P4	P5	P6	P7	P8	P9	P10	P11	P12
----	----	----	----	----	----	----	----	----	-----	-----	-----

PIN ASSIGNMENT

207F-BA00	Micro USB B Receptacle Vertical Type, Gold Flash
PRODUCT NO.	DESCRIPTION

UNLESS OTHERWISE SPECIFIED TOLERANCE		
ANGLES	ANG.	±5°
LINEAR	0.	±0.3
	0.0	±0.25
	0.00	±0.20
SCALE	AS SHOWN	UNIT: mm
DRAWN	Willis	2013/07/26
CHECKED	Angel	2013/07/26
APPROVED	Ken	2013/07/26



www.attend.com.tw
 DRAWN NAME: Micro USB B Receptacle Vertical Type

REV.	DESCRIPTION	DATE	REV.	DESCRIPTION	DATE
1			4		
2			5		
3			6		

SIZE	A4	REV.	1.0	PRODUCT NO.	207F-BA00
FILE NAME	207F-BA00_B_1				