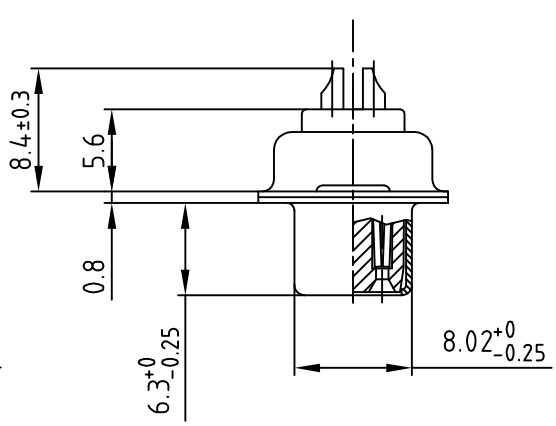
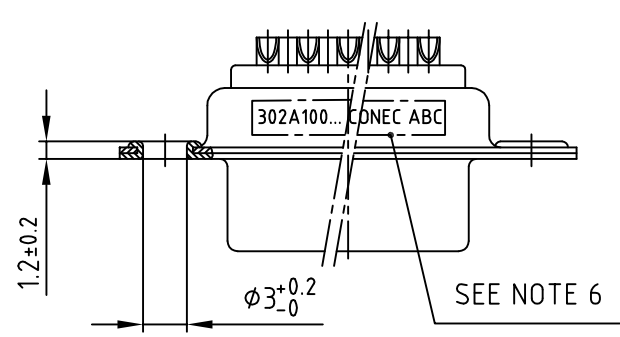
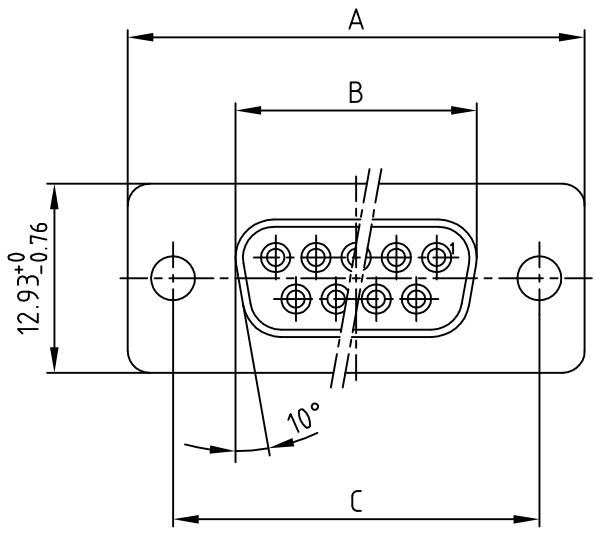


used for: D-SUB

POS.	A -0.76	B -0.25	C	Art.-NO.
9	31.19	16.46	25.00 $\begin{smallmatrix} +0.12 \\ -0.13 \end{smallmatrix}$	302A10019X
15	39.52	24.79	33.30 $\begin{smallmatrix} +0.15 \\ -0.1 \end{smallmatrix}$	302A10029X
25	53.42	38.50	47.04 ± 0.13	302A10059X
37	69.70	54.96	63.50 ± 0.13	302A10069X



(b)

SEE NOTE 6

NOTES:

1. METALSHELLS: STEEL; min. 315µin TIN over 40-80µin NICKEL
2. INSULATORS: PBT GF UL 94 V-0, BLACK
3. CONTACTS: COPPER ALLOY
4. PLATING: min. 8µin HARD GOLD over min. 50µin NICKEL
5. ACCEPTS CABLE AWG 20
6. CONNECTOR IS PART MARKED: PART-NO CONEC ABC



THIS DRAWING MAY NOT BE COPIED OR REPRODUCED IN ANY WAY, AND MAY NOT BE PASSED ON TO A THIRD PARTY WITHOUT WRITTEN PERMISSION.
 OWNERSHIP AND COPYRIGHT OF CONEC GmbH
 DO NOT ALTER CAD DRAWING BY HAND

				tolerance				scale: 2:1	
				2001	date	name		material: SEE NOTES	
				drawn	28.05.	Parei		title: D-SUB FEMALE 9-37pos. SOLDER CUP STAMPED CONTACTS	
				appd.	28.05.	E. Mickenbecker			
				norm	DIN 41652				
				d-old					
1 x b	Ä3486	09.11.09	Sonne			dwg no:		AutoCAD 2000	DIN-A
a	Origin					16K1A206A		4	
rev.	description	date	name			part no:		SEE TABLE	sh:1/2

4

3

2

1