

D-Sub Plastic cover, Light Grey, Top, short jackscrews

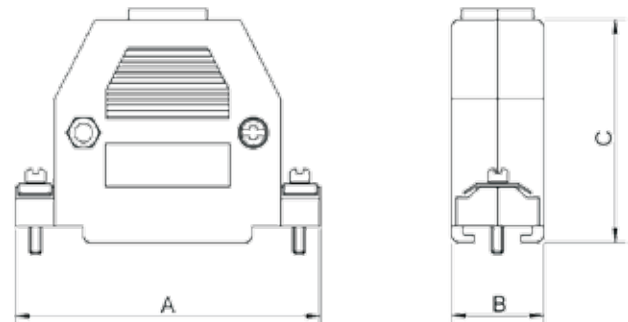
TECHNICAL SPECIFICATIONS

Material: UL Recognised Plastic Material
 Operating Temperature: -55°C to +110°C
 Cable Entry: Top
 Thumbscrews: UNC 4-40
 Cable O.D.: 9-way Up to 7,0mm
 15-way Up to 10,0mm
 25-way Up to 11,0mm
 37-way Up to 13,8mm
 50-way Up to 14,0mm
 Colour: Black



Features:

- Available in sizes 9-15-25-37-50
- Suitable for any common Sub-D connector
- Short Jackscrews
- Re-openable
- Available in two colours: Black & Light Grey
- Also available in Metalized Version



Size CCOV	A	B	C
9-way	31,0	16,0	40,2
15-way	39,6	17,4	38,0
25-way	55,0	16,5	44,5
37-way	69,0	24,0	52,5
50-way	69,5	19,5	44,5

Ordering information:

Size:	P/N - Kitted:	Product Code - GREY:
9-way	2360-0102-11	CCOV 9-SC-LG
15-way	2360-0102-12	CCOV15-SC-LG
25-way	2360-0102-13	CCOV25-SC-LG
37-way	2360-0102-14	CCOV37-SC-LG
50-way	2360-0102-15	CCOV50-SC-LG