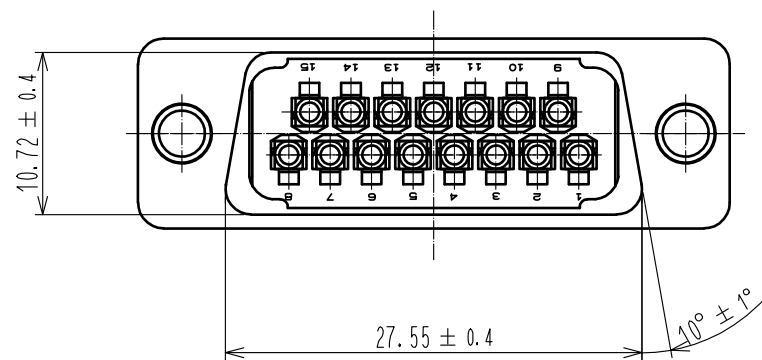
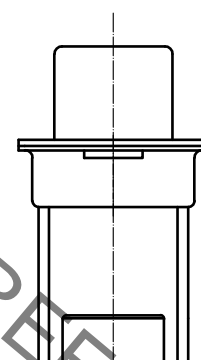
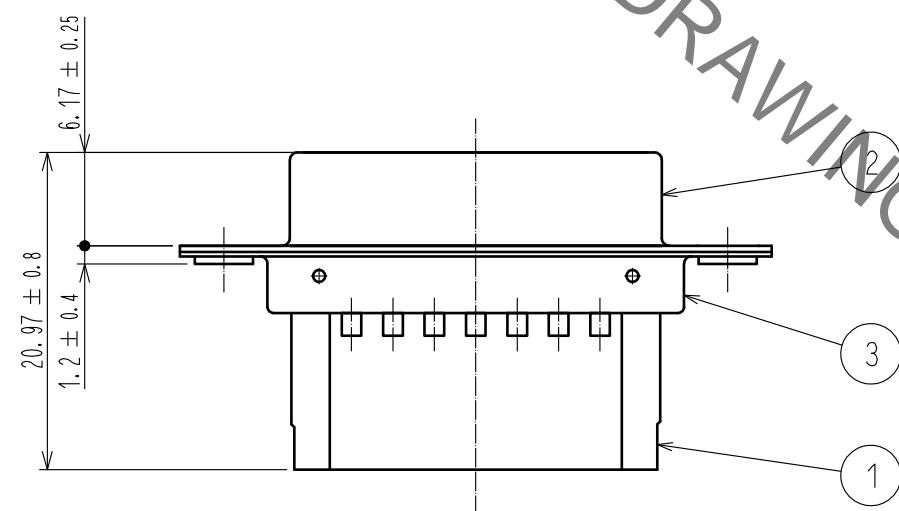
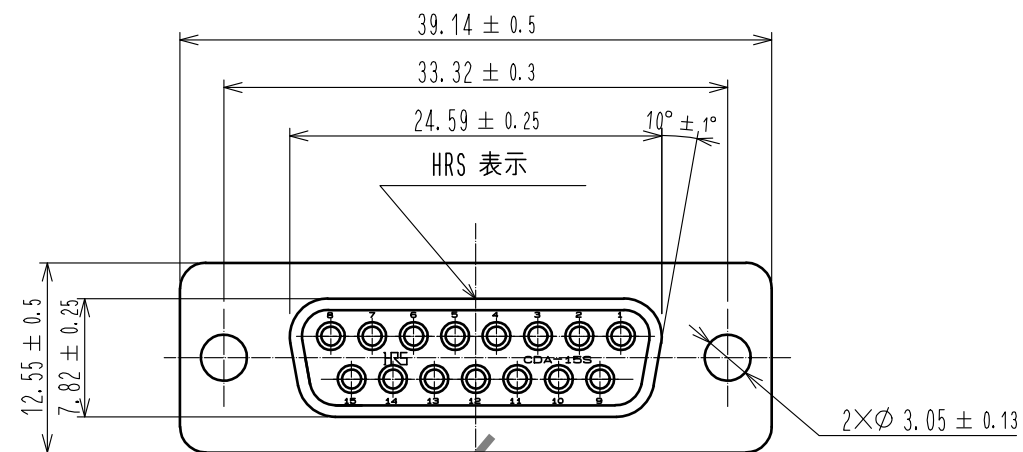


Mar.1.2020 Copyright 2020 HIROSE ELECTRIC CO., LTD. All Rights Reserved.
In case of consideration for using Automotive equipment / device which demand high reliability, kindly contact our sales window correspondents.



HRS DRAWING FOR REFERENCE

2	Steel	Nickel plating 1μm min.			
1	PBT	Black, UL94V-0	3	Steel	Nickel plating 1μm min.
NO.	MATERIAL	FINISH . REMARKS	NO.	MATERIAL	FINISH . REMARKS
UNITS	⊕	SCALE	COUNT	DESCRIPTION OF REVISIONS	
mm		2 : 1	△	DESIGNED	CHECKED
HRS HIROSE ELECTRIC CO., LTD.		APPROVED : RI. TAKAYASU	20181011	DRAWING NO. EDC-010056-05-00	
		CHECKED : AH. KODAMA	20181011	PART NO. CDA-15S(05)	
		DESIGNED : YS. SAKODA	20181011	CODE NO. CL211-0280-9-05	
		DRAWN : KIM JAEHYEON	20181011	1/1	