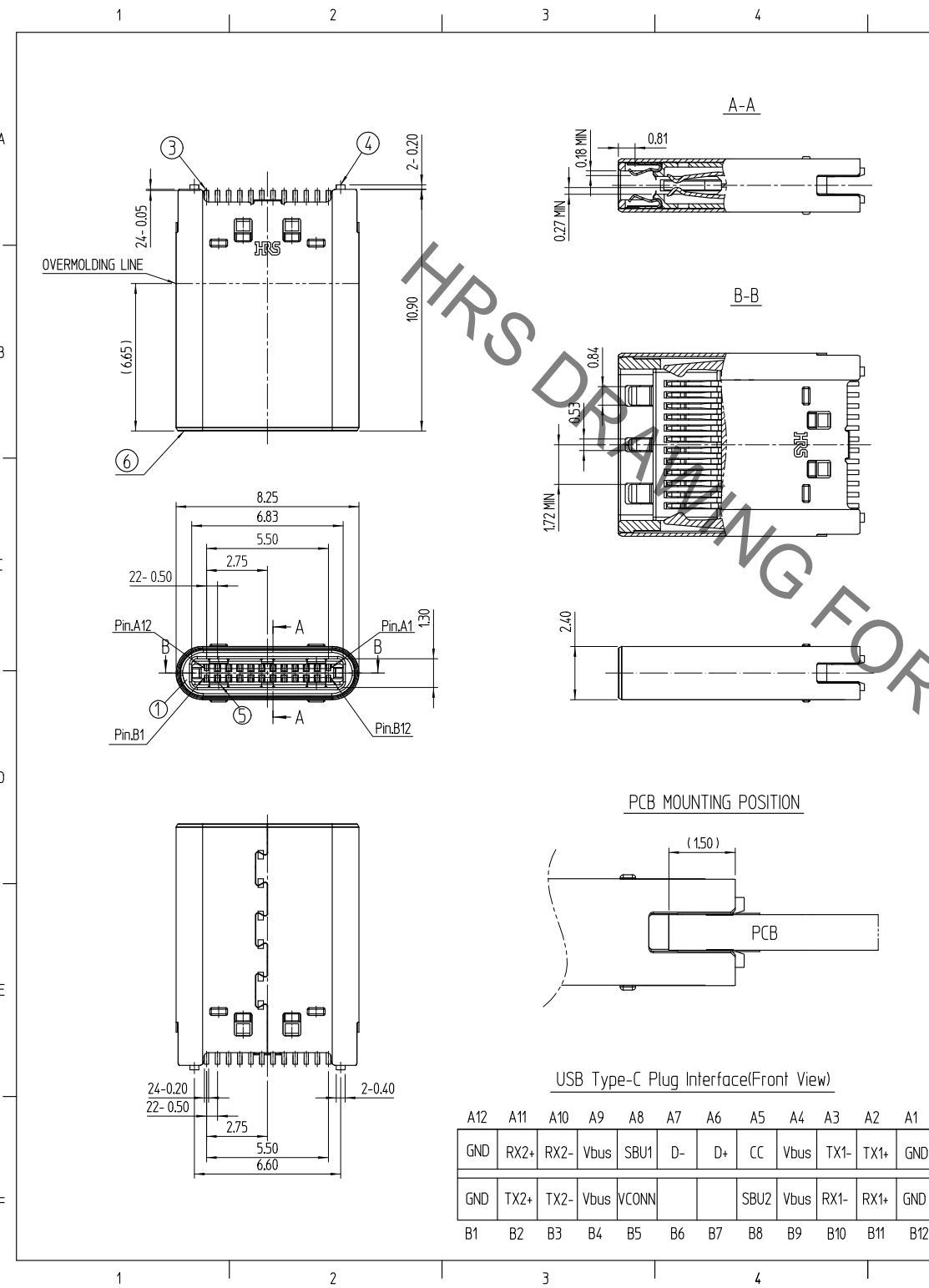


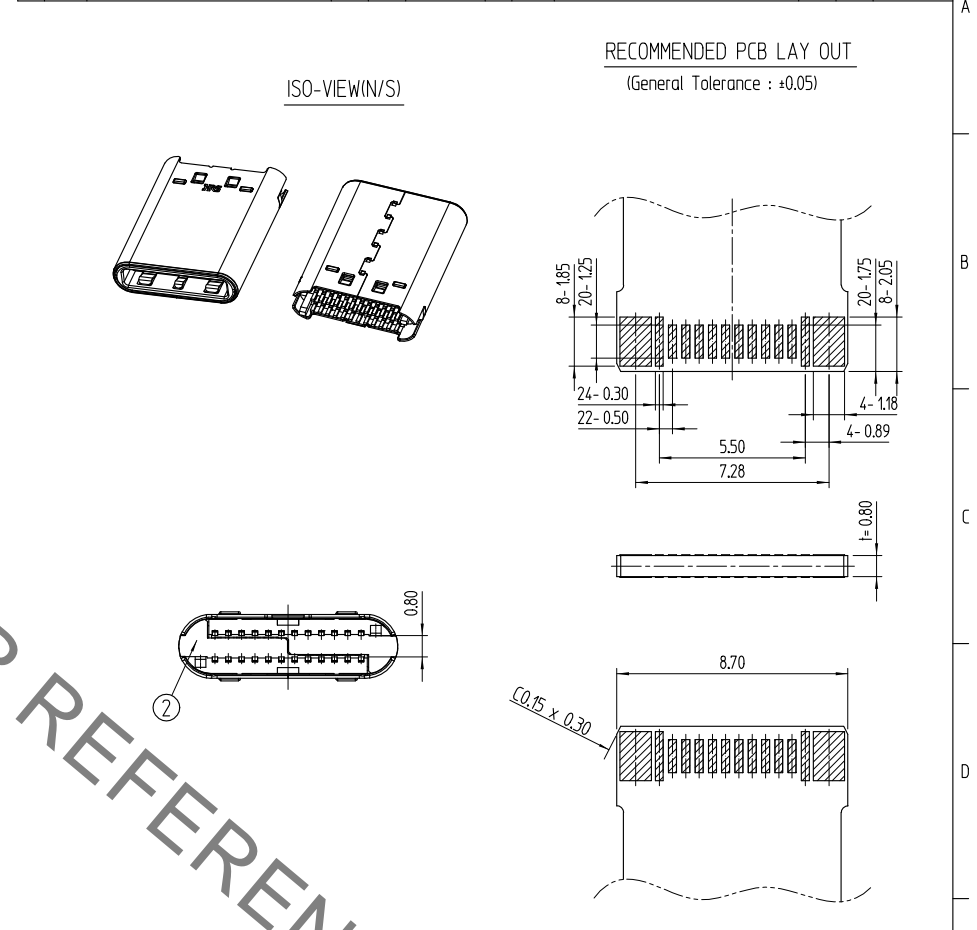
Jun.1.2020 Copyright 2020 HIROSE ELECTRIC CO., LTD. All Rights Reserved.
 Use of consideration for using Automotive equipment / device which demand high reliability, kindly contact our sales window correspon



△數 COUNT	訂正事項 DESCRIPTION OF REVISIONS	擔當 BY	檢圖 CHKD	年月日 DATE	△數 COUNT	訂正事項 DISCRPTION OF REVISIONS	擔當 BY	檢圖 CHKD	年月日 DATE
△	- Revised	PJS	LHJ	16. 04. 15	△	- Revised	PJS	LHJ	16. 07. 25
△	- Revised	PJS	LHJ	16. 05. 12	△	- Revised	PJS	KHJ	16. 11. 11
△	- Revised	PJS	LHJ	16. 06. 16	△				

ISO-VIEW(N/S)

RECOMMENDED PCB LAY OUT
(General Tolerance : ±0.05)



(NOTE) 1 GENERAL TOLERANCE : ±0.2
2 PACKING : 150 UNIT / TRAY

3	COPPER ALLOY	Gold Plating	6	STAINLESS STEEL	Nickel
2	LCP	UL94-V0, COLOR BLACK	5	STAINLESS STEEL	Nickel
1	PA	UL94-V0, COLOR BLACK	4	STAINLESS STEEL	Nickel
NO.	MATERIAL	FINISH,REMARKS	NO.	MATERIAL	FINISH,REMARKS
REMARK			DRAWN	DESIGNED	CHECKED
			J.S.PARK 16.04.15	J.S.PARK 16.04.15	H.J.LEE 16.04.15
			APPROVED	RELEASED	
			T.S.KANG 16.04.15	DEPT 17.09.04 ENG	
DRAWING NO. ADC3-631979			PART NO. CX60-24S-UNIT		
SCALE 5:1 UNITS mm			CODE NO CL6240-0001-9		
HRS HIROSE KOREA CO.,LTD.			1/1		