

## Plastic Hoods

## L17DPPK-BK+D-Sub Solder Cup

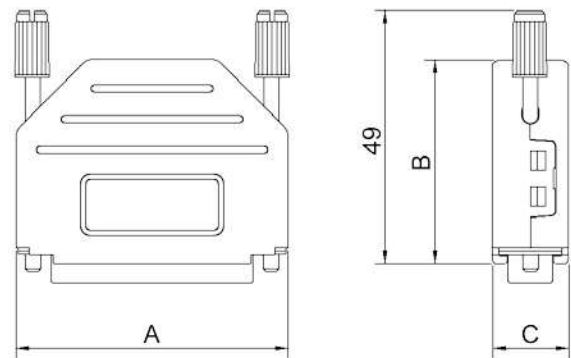
### TECHNICAL SPECIFICATIONS

#### D-Sub Hood:

Housing material:	Polyamid, UL-recognised	
Operating Temperature:	-55°C to +105°C	
Cable Entry:	Top	
Thumbscrews:	UNC 4-40 (Standard)	
Cable O.D:	9-way:	Up to 8mm
	15-25-37-way:	Up to 11,5mm

#### Standard D-Sub Solder Cup:

Insulator:	Glass filled TP, UL94 V-0
Shell:	Steel, Tin Plated
Contact pins:	Copper Alloy Gold Flash over Ni.
Stamped & Formed Pins	Class 3, 100 inserts min.
Contact Plating:	Gold flash over Nickel
Operating Temperature:	-55°C to +85°C
Withstanding voltage:	>1000V Rms to 50 Hz for 1 minute
Current Rating:	5A
Insulator resistance:	>5000MΩ min.



#### Features:

- Available in sizes 9-15-25-37
- Re-openable

Size DPPK-P	Dim A	Dim B	Dim C
9-way	31,5	34,0	15,0
15-way	40,0	34,0	15,0
25-way	53,5	34,0	15,0
37-way	70,0	40,0	15,0

### Ordering information:

#### Standard D-Sub Connector Kits

Size:	P/N - Kitted:	Description:
9-way	L17DPPK09-BK+L717SDE09P	Solder Cup, 9-Male
15-way	L17DPPK15-BK+L717SDA15P	Solder Cup, 15-Male
25-way	L17DPPK25-BK+L717SDB25P	Solder Cup, 25-Male
37-way	L17DPPK37-BK+L717SDC37P	Solder Cup, 37-Male

Size:	P/N - Kitted:	Description:
9-way	L17DPPK09-BK+L77SDE09S	Solder Cup, 9-Female
15-way	L17DPPK15-BK+L77SDA15S	Solder Cup, 15-Female
25-way	L17DPPK25-BK+L77SDB25S	Solder Cup, 25-Female
37-way	L17DPPK37-BK+L77SDC37S	Solder Cup, 37-Female