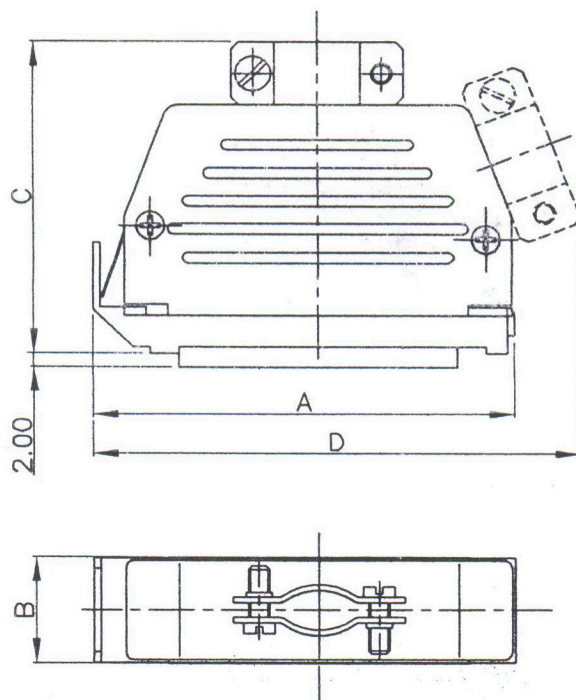


No.	Changes and/or Note No.	Date	Sign	No.	Changes and/or Note No.	Date	Sign



No. of Ways	Ordering code	A	B	C	D	External cable outlet			
						Round cable clamp		Rect. cable clamp	
						max.	min.	max.	min.
09	DS 09S	37.0	15.0	34.0	43.0	6.0	4.0	-	-
15	DS 15S	45.0	15.0	40.0	53.0	7.0	5.0	-	-
25	DS 25S	60.0	15.0	44.0	68.0	8.0	6.0	-	-
37	DS 37S	77.0	15.0	52.0	84.0	-	-	7X16	5X16
50	DS 50S	74.0	18.0	52.0	81.0	-	-	10X16	5X16

Characteristics:

- * Facility for side & top cable outlet with external cable clamp.
- * A plug is supplied to close the unused outlet.
- * The hood comprises of base, cover, 2/4 mounting screws, 2 screws for retaining connector, external cable clamp with 2 screws, one plug, one slide lock and one spring.

Material:

Hood : Flame retardant thermoplastic.
 Screws & Slide lock : steel, Zinc plated.
 Spring : Stainless steel.

DATE 20-04-2012	DRAWN PKN	SCALE	MATERIAL TYPE
	APPROVED		REPLACES



Black plastic cover incl slide lock
ED-DS0XS-K



DRAWING No. 2801-0101