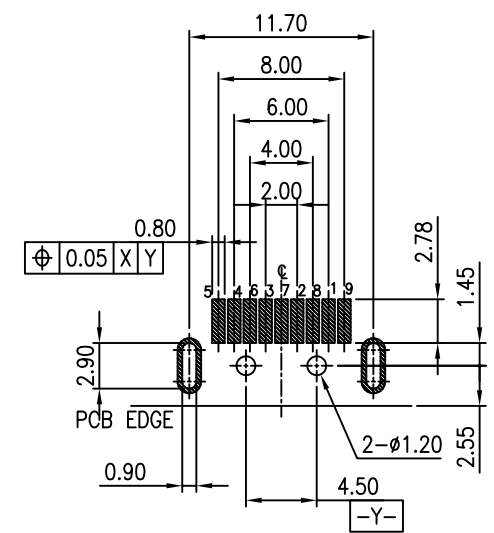
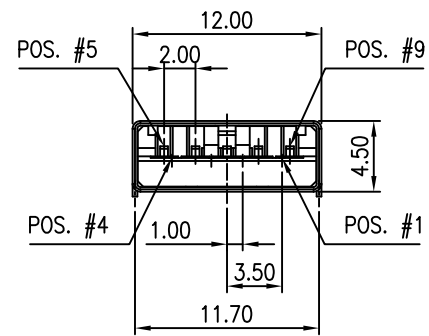
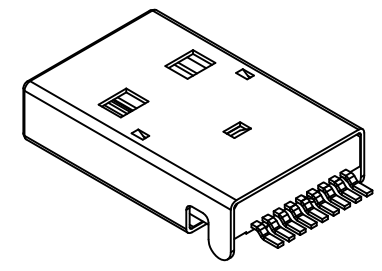
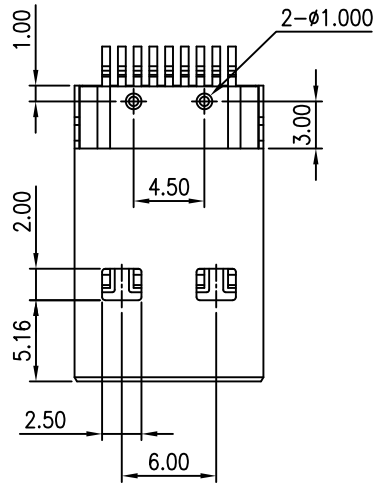
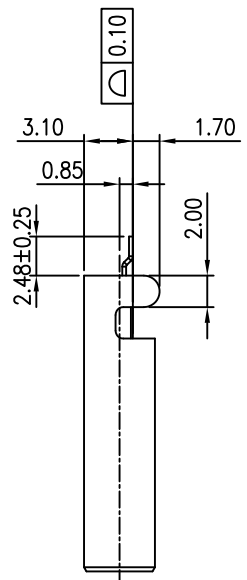
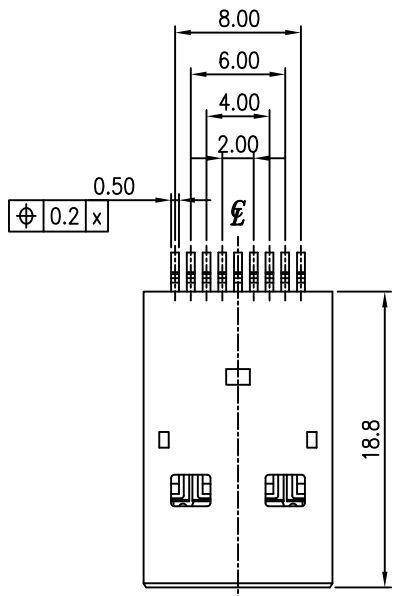


This document is the property of Amphenol Corporation and is delivered on the express condition that is not to be disclosed, reproduced or used, in whole or in part, for manufacture or sale by anyone other than Amphenol Corporation without its prior consent, and that no right is granted to disclose or to use any information in this document.

The marking on this product doesn't contain environmental hazardous materials per Material Specification 55-00259 for Sony GP compliant or per directive 2002/95/EC for RoHS compliant.

**PRELIMINARY RELEASE
SUBJECT TO CHANGE**

REVISIONS				
SYM	ECN No.	DESCRIPTION	DATE	APPROVED
AX1		UNAPPROVED REVISION	10/29/2008	Hank Hsu
AX2		MODIFIED PART NO.	08/26/2009	Roger Tsai
AX3		ADD DIMENSION	09/01/2009	Roger Tsai
AX4		MODIFIED PIN ASSIGNMENTS	09/03/2009	Roger Tsai
AX5	1.ADDED	CONTACT PLATING OPTIONS 2. CHANGED SHELL PLATING	06/28/2010	Arron Lin
AX6		1. ADD PCB PIN DEFINITION 2 ADD PACKAGING	07/07/2010	Arron Lin



RECOMMEND P.C.B LAYOUT GERERAL TOLERANCE±0.05
(COMPONENT SIDE)

- NOTES:
- INSULATOR: HIGH TEMPERATURE THERMAL, UL 94HB RATED, COLOR- BLUE
 - USB2.0 CONTACT: PHOSPHOR BRONZE, GOLD PLATING 2 μ" THICKNESS MIN. OVER PALLADIUM NICKEL PLATING 30μ" THICKNESS MIN; 100μ" MATTE TIN PLATED ON SOLDERING TAIL, 50μ" MIN. NICKEL UNDER-PLATING OVERALL
 - USB3.0 CONTACT: PHOSPHOR BRONZE, GOLD PLATING 2 μ" THICKNESS MIN. OVER PALLADIUM NICKEL PLATING 30μ" THICKNESS MIN; 100μ" MATTE TIN PLATED ON SOLDERING TAIL, 50μ" MIN. NICKEL UNDER-PLATING OVERALL
 - SHELL: SPCC, 50μ" MIN. NICKEL OVER 30μ" MIN. CU PLATED OVERALL
 - THIS PRODUCT DOESN'T CONTAIN ENVIRONMENTAL HAZARDOUS MATERIALS PER DIRECTIVE 2002/95/EC FOR RoHS.
 - THE PACKING MUST BE PER Amphenol PACKING SPECIFICATION PKS-0001.

TOLERANCE	APPROVALS	DATE	TITLE	UNIT	SIZE	PART No.
X. ±0.30	DRAWN Aqua Chou	07/07/2010	USB3.0 CONNECTOR STANDARD A TYPE, PLUG R/A SMT	mm	A3	GSB316441CEU
X.X ±0.20	CHECKED Roger Tsai	07/07/2010				
X.XXX ±0.10	APPROVED Arron Lin	07/07/2010				
ANGULAR ±1°	DWG TYPE CUST DWG	PROJECT CODE OTHER	UNIT mm	SCALE NA	SHEET 1 OF 2	DWG No. GSB316441CEU
UNLESS OTHERWISE SPECIFIED						REV. AX6

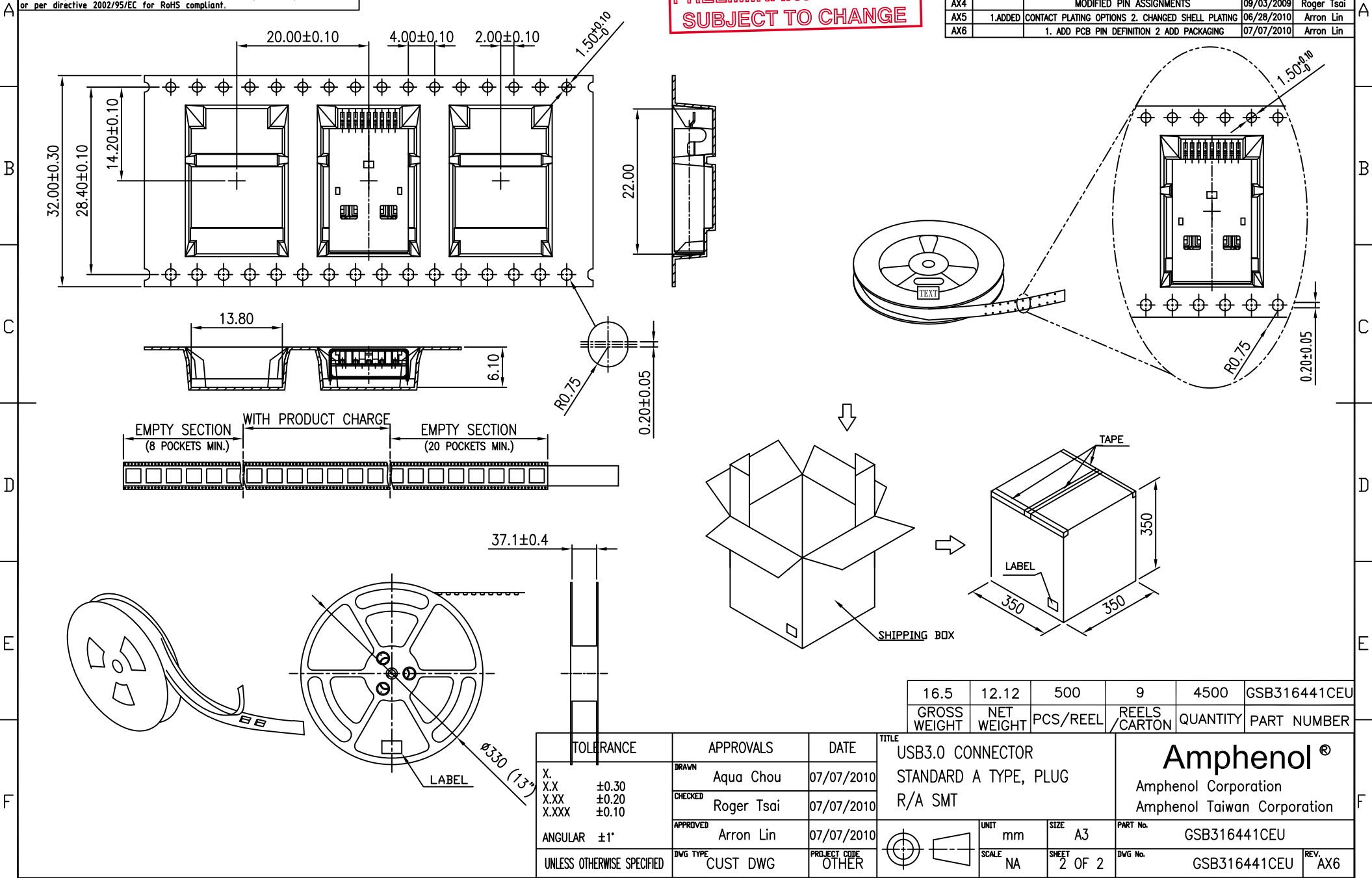
Amphenol®
Amphenol Corporation
Amphenol Taiwan Corporation

This document is the property of Amphenol Corporation and is delivered on the express condition that it is not to be disclosed, reproduced or used, in whole or in part, for manufacture or sale by anyone other than Amphenol Corporation without its prior consent, and that no right is granted to disclose or to use any information in this document.

The marking on this product doesn't contain environmental hazardous materials per Material Specification 55-00259 for Sony GP compliant or per directive 2002/95/EC for RoHS compliant.

**PRELIMINARY RELEASE
SUBJECT TO CHANGE**

REVISIONS				
SYM	ECN No.	DESCRIPTION	DATE	APPROVED
AX1		UNAPPROVED REVISION	10/29/2008	Hank Hsu
AX2		MODIFIED PART NO.	08/26/2009	Roger Tsai
AX3		ADD DIMENSION	09/01/2009	Roger Tsai
AX4		MODIFIED PIN ASSIGNMENTS	09/03/2009	Roger Tsai
AX5	1.ADDED	CONTACT PLATING OPTIONS 2. CHANGED SHELL PLATING	06/28/2010	Arron Lin
AX6		1. ADD PCB PIN DEFINITION 2 ADD PACKAGING	07/07/2010	Arron Lin



16.5	12.12	500	9	4500	GSB316441CEU
GROSS WEIGHT	NET WEIGHT	PCS/REEL	REELS/CARTON	QUANTITY	PART NUMBER

TOLERANCE	APPROVALS	DATE	TITLE	Amphenol®		
X. ±0.30	DRAWN Aqua Chou	07/07/2010	USB3.0 CONNECTOR STANDARD A TYPE, PLUG R/A SMT	Amphenol Corporation Amphenol Taiwan Corporation		
X.X ±0.20	CHECKED Roger Tsai	07/07/2010				
X.XXX ±0.10	APPROVED Arron Lin	07/07/2010				
ANGULAR ±1°	DWG TYPE CUST DWG	PROJECT CODE OTHER	UNIT mm	SIZE A3	PART No.	GSB316441CEU
UNLESS OTHERWISE SPECIFIED			SCALE NA	SHEET 2 OF 2	DWG No.	GSB316441CEU
					REV.	AX6