

**Industrial Ethernet
IE-P63**

Weidmüller Interface GmbH & Co. KG
Klingenbergstraße 16
D-32758 Detmold
Germany
Fon: +49 5231 14-0
Fax: +49 5231 14-292083
www.weidmueller.com



RJ45 crimp plug-in connector according to IEC
60603-7-51 for wire outer diameters up to 1.05 mm

General ordering data

| | |
|------------|--|
| Type | IE-P63 |
| Order No. | 8813110000 |
| Version | RJ45 plug-in connector, with kink protection; 5.5 - 6.2 mm, Cat.6 _A / Class E _A (ISO/IEC 11801 2010), IP20 |
| GTIN (EAN) | 4032248512867 |
| Qty. | 10 pc(s). |

**Industrial Ethernet
IE-P63**

Weidmüller Interface GmbH & Co. KG
 Klingenbergstraße 16
 D-32758 Detmold
 Germany
 Fon: +49 5231 14-0
 Fax: +49 5231 14-292083
 www.weidmueller.com

Technical data**Dimensions and weights**

| | |
|------------|--------|
| Net weight | 5.31 g |
|------------|--------|

Temperatures

| | | | |
|-----------------------------|----------------|-----------------------------|----------------|
| Operating temperature, max. | 70 °C | Operating temperature, min. | -40 °C |
| Storage temperature, max. | 80 °C | Storage temperature, min. | -40 °C |
| Operating temperature | -40 °C...70 °C | Storage temperature | -40 °C...80 °C |
| Installation temperature | | | |

Environmental Product Compliance

| | |
|------------|----------------|
| REACH SVHC | Lead 7439-92-1 |
|------------|----------------|

General data

| | | | |
|------------------------------------|--|--|------------------------------------|
| Connection 2 | RJ45 | Description of article | with kink protection; 5.5 - 6.2 mm |
| Housing main material | CuZn, nickel-plated | Insulation cross-section, min. | 0.85 mm |
| Insulation cross-section, max. | 1.05 mm | Cable pull-out force, min. | 89 N |
| Category | Cat.6 _A / Class E _A (ISO/IEC 11801 2010) | Bending protection | moulded |
| Contact material | Phosphorus bronze | Contact surface | Gold-plated |
| Connection diameter, solid | 0.36...0.51 mm | Conductor connection cross-section, solid (AWG) | AWG 27...AWG 24 |
| Connection diameter, flexible | 0.46...0.61 mm | Conductor connection cross-section, flexible (AWG) | AWG 27...AWG 24 |
| MICE classification M | M ₁ | MICE classification I | I ₁ |
| MICE classification C | C ₁ | MICE classification E | E ₃ |
| Sheath diameter, min. | 5.5 mm | Sheath diameter, max. | 6.2 mm |
| Bending protection sleeve material | PVC, UL 94-V0 | Shielding material | 0.5 mm brass, 2 µm nickel |
| Shielding | 360°; all-round enclosure | Protection degree | IP20 |
| Insertion force | 20 N | Plugging cycles | 750 |
| Material insulator | Polycarbonate PC, UL 94 V-0 | | |

Electrical properties

| | | | |
|--|-------------|---------------------------------------|----------------------------|
| Contact resistance | ≤ 20 mΩ | Current-carrying capacity at 50 °C | 1 A |
| Dielectric strength, contact / contact | ≤ 1000 V DC | Dielectric strength, contact / shield | ≤ 1500 V DC |
| Insulation strength | 500 MΩ | PoE / PoE+ | conforming to IEEE 802.3at |

Standards

| | |
|--------------------|-----------------|
| Connector standard | IEC 60603-7-5 1 |
|--------------------|-----------------|

Classifications

| | | | |
|------------|-------------|------------|-------------|
| ETIM 3.0 | EC001264 | ETIM 4.0 | EC001264 |
| ETIM 5.0 | EC001264 | ETIM 6.0 | EC001121 |
| UNSPSC | 43-17-27-10 | eClass 5.1 | 27-25-05-04 |
| eClass 6.2 | 27-25-05-04 | eClass 7.1 | 27-25-05-04 |
| eClass 8.1 | 19-17-01-25 | eClass 9.0 | 27-44-03-90 |
| eClass 9.1 | 27-44-03-90 | | |

Creation date April 3, 2019 12:49:44 PM CEST

Data sheet**Industrial Ethernet
IE-P63**

Weidmüller Interface GmbH & Co. KG
Klingenbergstraße 16
D-32758 Detmold
Germany
Fon: +49 5231 14-0
Fax: +49 5231 14-292083
www.weidmueller.com

Technical data**Approvals**

Approvals



ROHS

Conform

Downloads

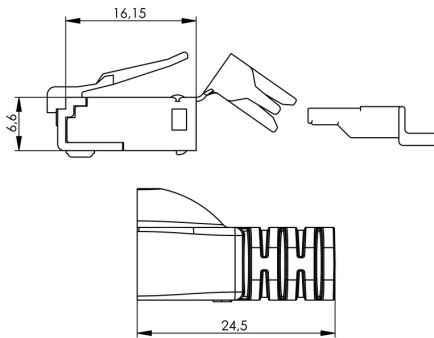
| | |
|--------------------|--|
| Brochure/Catalogue | CAT 9 IETH 15/16 EN FL FIELDWIRING EN PI PROFINET CABLING EN |
| Engineering Data | EPLAN, WSCAD, Zuken E3.S |
| User Documentation | MAN IE GUIDE DE MAN IE GUIDE EN |

**Industrial Ethernet
IE-P63**

Weidmüller Interface GmbH & Co. KG
Klingenbergstraße 16
D-32758 Detmold
Germany
Fon: +49 5231 14-0
Fax: +49 5231 14-292083
www.weidmueller.com

Drawings

Dimensioned drawing



**Industrial Ethernet
IE-P63**

Weidmüller Interface GmbH & Co. KG
Klingenbergstraße 16
D-32758 Detmold
Germany
Fon: +49 5231 14-0
Fax: +49 5231 14-292083
www.weidmueller.com

Accessories**... for modular plug-in connectors****Crimping tools for modular plug-in connector systems WE and DEC**

- Ratchet guarantees precise crimping
- Release option in the event of incorrect operation
- Three functions in one tool

General ordering data

| Type | Order No. | Version | GTIN (EAN) | Qty. |
|--------------|----------------------------|--|---------------|----------|
| TT 8 RS MP 8 | 9202800000 | Pressing tools, Crimping tool for contacts | 4032248512072 | 1 pc(s). |