

**Industrial Ethernet  
IE-P70**

**Weidmüller Interface GmbH & Co. KG**  
Klingenbergstraße 16  
D-32758 Detmold  
Germany  
Fon: +49 5231 14-0  
Fax: +49 5231 14-292083  
www.weidmueller.com



RJ45 crimp plug-in connector according to IEC  
60603-7-51 for wire outer diameters up to 1.05 mm

**General ordering data**

Type	IE-P70
Order No.	<a href="#">8813120000</a>
Version	RJ45 plug-in connector, with kink protection; 6.2 - 7.1 mm, Cat.6 <sub>A</sub> / Class E <sub>A</sub> (ISO/IEC 11801 2010), IP20
GTIN (EAN)	4032248512874
Qty.	10 pc(s).

## Industrial Ethernet IE-P70

**Weidmüller Interface GmbH & Co. KG**  
Klingenbergstraße 16  
D-32758 Detmold  
Germany  
Fon: +49 5231 14-0  
Fax: +49 5231 14-292083  
www.weidmueller.com

## Technical data

### Dimensions and weights

Net weight 5.2 g

### Temperatures

Operating temperature, max.	70 °C	Operating temperature, min.	-40 °C
Storage temperature, max.	80 °C	Storage temperature, min.	-40 °C
Operating temperature	-40 °C...70 °C	Storage temperature	-40 °C...80 °C
Installation temperature			

### Environmental Product Compliance

REACH SVHC Lead 7439-92-1

### General data

Connection 2	RJ45	Description of article	with kink protection; 6.2 - 7.1 mm
Housing main material	CuZn, nickel-plated	Insulation cross-section, min.	0.85 mm
Insulation cross-section, max.	1.05 mm	Cable pull-out force, min.	89 N
Category	Cat.6 <sub>A</sub> / Class E <sub>A</sub> (ISO/IEC 11801 2010)	Bending protection	moulded
Contact material	Phosphorus bronze	Contact surface	Gold-plated
Connection diameter, solid	0.36...0.51 mm	Conductor connection cross-section, solid (AWG)	AWG 27...AWG 24
Connection diameter, flexible	0.46...0.61 mm	Conductor connection cross-section, flexible (AWG)	AWG 27...AWG 24
MICE classification M	M <sub>1</sub>	MICE classification I	I <sub>1</sub>
MICE classification C	C <sub>1</sub>	MICE classification E	E <sub>3</sub>
Sheath diameter, min.	6.2 mm	Sheath diameter, max.	7.1 mm
Bending protection sleeve material	PVC, UL 94-V0	Shielding material	0.5 mm brass, 2 µm nickel
Shielding	360°; all-round enclosure	Protection degree	IP20
Insertion force	20 N	Plugging cycles	750
Material insulator	Polycarbonate PC, UL 94 V-0		

### Electrical properties

Contact resistance	≤ 20 mΩ	Current-carrying capacity at 50 °C	1 A
Dielectric strength, contact / contact	≤ 1000 V DC	Dielectric strength, contact / shield	≤ 1500 V DC
Insulation strength	500 MΩ	PoE / PoE+	conforming to IEEE 802.3at

### Standards

Connector standard IEC 60603-7-51

### Classifications

ETIM 3.0	EC001264	ETIM 4.0	EC001264
ETIM 5.0	EC001264	ETIM 6.0	EC001121
UNSPSC	43-17-27-10	eClass 5.1	27-25-05-04
eClass 6.2	27-25-05-04	eClass 7.1	27-25-05-04
eClass 8.1	19-17-01-25	eClass 9.0	27-44-03-90
eClass 9.1	27-44-03-90		

Creation date April 3, 2019 12:50:47 PM CEST

**Data sheet****Industrial Ethernet  
IE-P70**

**Weidmüller Interface GmbH & Co. KG**  
Klingenbergstraße 16  
D-32758 Detmold  
Germany  
Fon: +49 5231 14-0  
Fax: +49 5231 14-292083  
www.weidmueller.com

**Technical data****Approvals**

Approvals



ROHS

Conform

**Downloads**

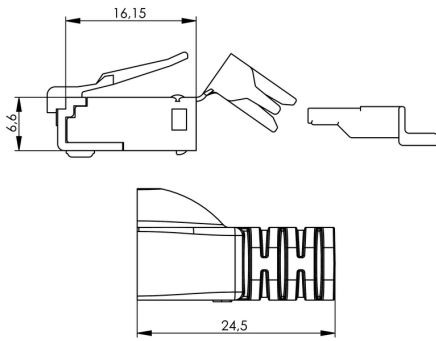
Brochure/Catalogue	<a href="#">CAT 9 IETH 15/16 EN</a> <a href="#">FL FIELDWIRING EN</a> <a href="#">PI PROFINET CABLING EN</a>
Engineering Data	<a href="#">EPLAN, WSCAD, Zuken E3.S</a>
User Documentation	<a href="#">MAN IE GUIDE DE</a> <a href="#">MAN IE GUIDE EN</a>

**Industrial Ethernet  
IE-P70**

**Weidmüller Interface GmbH & Co. KG**  
Klingenbergstraße 16  
D-32758 Detmold  
Germany  
Fon: +49 5231 14-0  
Fax: +49 5231 14-292083  
[www.weidmueller.com](http://www.weidmueller.com)

**Drawings**

**Dimensioned drawing**



**Industrial Ethernet  
IE-P70**

**Weidmüller Interface GmbH & Co. KG**  
 Klingenbergstraße 16  
 D-32758 Detmold  
 Germany  
 Fon: +49 5231 14-0  
 Fax: +49 5231 14-292083  
 www.weidmueller.com

**Accessories**

**... for modular plug-in connectors**



**Crimping tools for modular plug-in connector systems WE and DEC**

- Ratchet guarantees precise crimping
- Release option in the event of incorrect operation
- Three functions in one tool

**General ordering data**

Type	Order No.	Version	GTIN (EAN)	Qty.
TT 8 RS MP 8	<a href="#">9202800000</a>	Pressing tools, Crimping tool for contacts	4032248512072	1 pc(s).