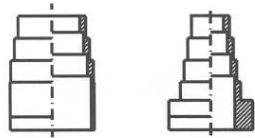
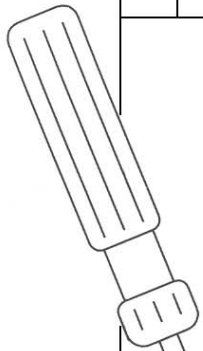
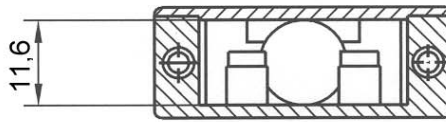


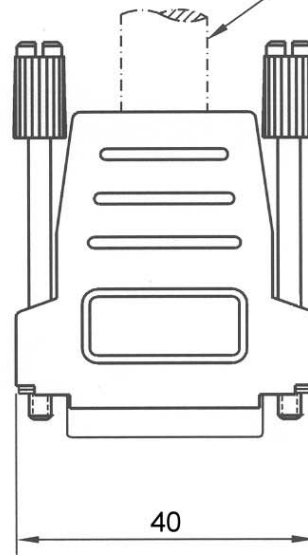
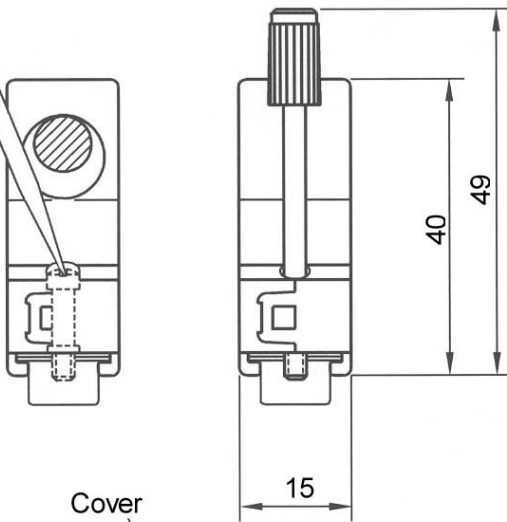
| No. | Changes and/or Note No. | Date | Intr. | No. | Changes and/or Note No. | Date | Intr. |
|-----|-------------------------|------|-------|-----|-------------------------|------|-------|
| | | | | | | | |



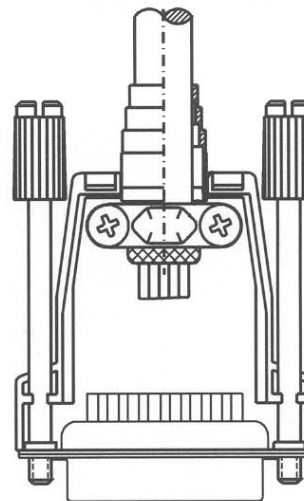
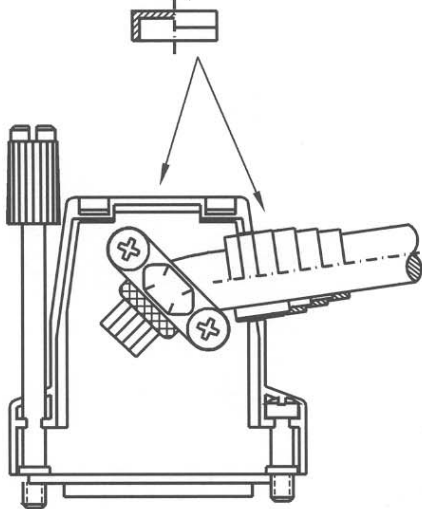
Bypacked 2 grommets only with metalized version. (Optional for plastic)



max O.D. 11,5mm



Cover



Thread UNC4-40

UNSHIELDED PART:

| | |
|--------------|---------------|
| Single Pack: | L17DSSK15TP-U |
| Bulk Pack: | L17DSSK15TP |

SHIELDED PART:

| | |
|--------------|--------------|
| Single Pack: | L17DSSK15TMU |
| Bulk Pack: | L17DSSK15TM |

| | | | |
|--|--------------|--------------|---------------------------|
| DATE 000530 | DRAWN GMN | SCALE 1:1 | MATERIAL TYPE |
| | APPROVED | | REPLACES |
| PLASTIC HOOD Unshielded or Shielded Version | | | |
| | | | DRAWING No 6688-9505-L |