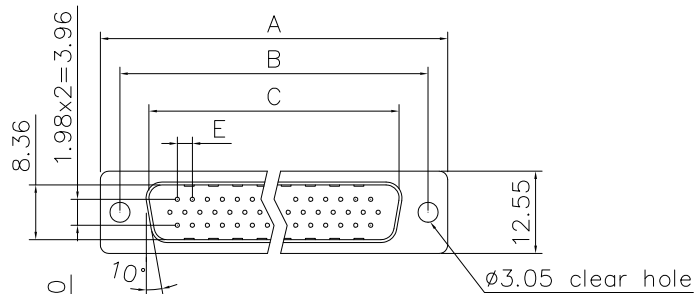
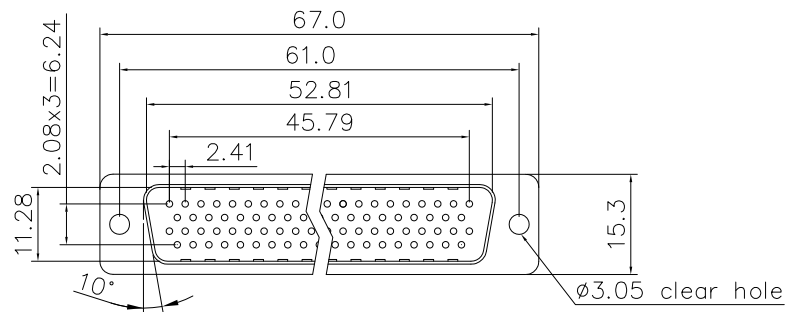


This document is the property of Amphenol Corporation and is delivered on the express condition that it is not to be disclosed, reproduced or used, in whole or in part, for manufacture or sale by anyone other than Amphenol Corporation without its prior consent, & that no right is granted to disclose or to use any information in this document.

# Customer drawing



15,26,44,62 Positions



78 Positions



## Dimensions

| Positions | A     | B     | C     | E    | F     |
|-----------|-------|-------|-------|------|-------|
| 15        | 30.81 | 24.99 | 16.92 | 2.29 | 19.20 |
| 26        | 39.20 | 33.30 | 25.25 | 2.29 | 27.70 |
| 44        | 53.04 | 47.04 | 38.96 | 2.29 | 41.10 |
| 62        | 69.40 | 63.50 | 55.42 | 2.41 | 57.30 |

| REVISIONS |      |                              |          |          |
|-----------|------|------------------------------|----------|----------|
| SYM       | ECN  | DESCRIPTION                  | DATE     | APPROVED |
| 2         | HK-- | Add the dimension            | 08/14/09 | IP       |
| 3         | HK-- | Add the wire size            | 09/26/11 | IP       |
| 4         | HK-- | Updated the wire size        | 10/13/11 | IP       |
| 5         | HK-- | Change dim. 30.84 to 30.81mm | 08/27/13 | IP       |

## D-SUB TECHNICAL DATA

SHELL : Steel, 100u" Tin Over 50u" min nickel over 50u" min Copper  
 BODY : Glass-Filled Thermoplastic PBT,UL94V-0 rated  
 CONTACTS : Copper alloy  
 Gold flash over 50u" nickel on mating area  
 100u" tin over 50u" nickel on solder area  
 ELECTRICAL : Voltage rating 250 VAC/RMS  
 Current Rating :3 AMP  
 Withstanding Voltage >1000 VAC/RMS  
 Insulation resistance >1000 M Ohms  
 Contact resistance 20 mOhms max  
 MARKING : Amphenol-...(Series No.)  
 Commercial reference  
 Manufacturing date

## PRODUCT CODE

L 717 HD X XX P

L:RoHS Compliance

717: tinned shell +  
dimples for plug

HD: High density

Contact type:  
P: Pin

Configuration: 15,26,44,62,78

Shell Size :E,A,B,C,D

| UNLESS OTHERWISE SPECIFIED TOLERANCES |        | APPROVAL            |         | DATE     |
|---------------------------------------|--------|---------------------|---------|----------|
| U.S.                                  | METRIC | DRAWN               | Checked |          |
| .X +/-                                | 0.50   | Felix Liu           |         | 08/27/13 |
| .XX +/-                               | 0.30   | Tony Tang           |         | 08/27/13 |
| .XXX +/-                              | 0.20   | CHECKED             |         |          |
| FRACTIONS +/-                         | 5'     | DRAWING FILE :      |         |          |
| ANGLES +/-                            |        | ANGLE OF PROJECTION |         |          |
| FOR MATERIALS AND FINISHES SEE NOTES  |        | REMOVE SHARP EDGES  |         |          |
| DIMENSIONS                            |        | DRAWING NO.         |         |          |
| U.S.                                  | INCHES | A4                  |         |          |
| METRIC                                | MM     | SCALE NONE          |         |          |

| Amphenol                     |      | REV.         |
|------------------------------|------|--------------|
| Amphenol East Asia Limited A |      | 5            |
| TITLE                        |      |              |
| Solder cup type, HD Series   |      |              |
| SCALE                        | NONE | SHEET 1 OF 1 |