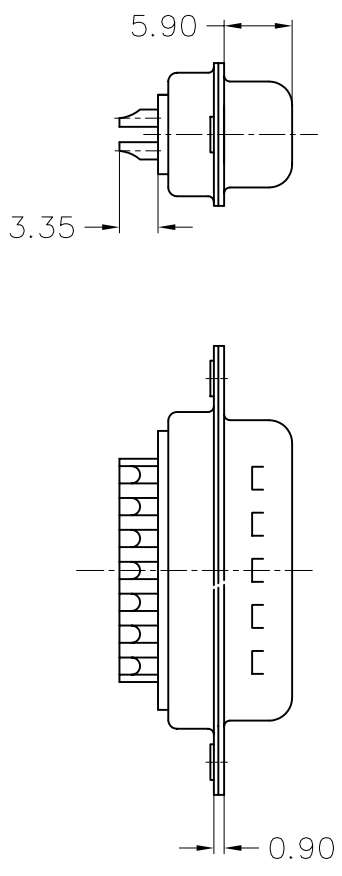
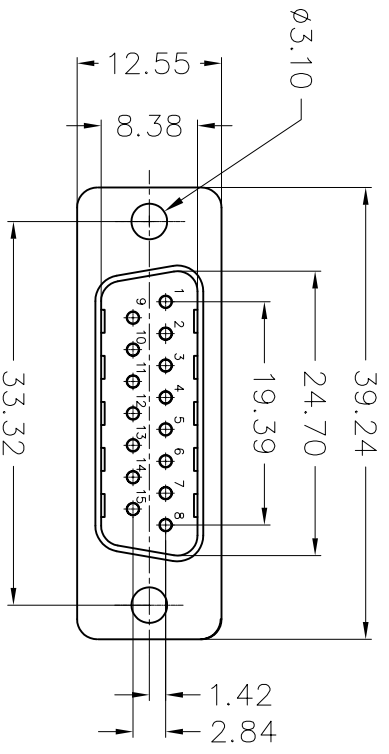


This document is the property of Amphenol Corporation and is loaned to you for use in the manufacture of products. It is not to be reproduced, stored in a retrieval system, or transmitted in any form or by any means, electronic, mechanical, photocopying, recording, or by any information storage or retrieval system, without the prior written permission of Amphenol Corporation. For more information, see the Amphenol website at www.amphenol.com.

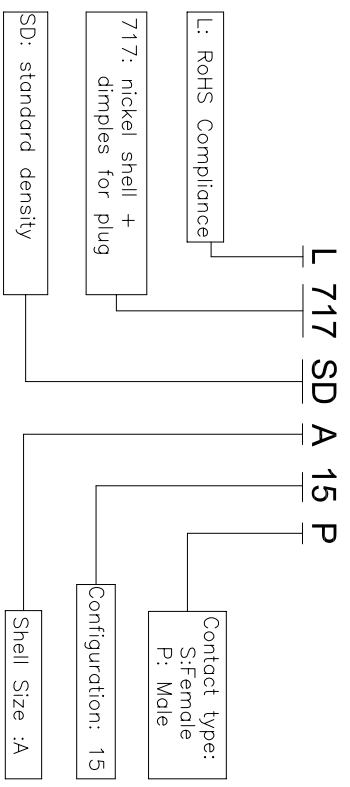


D-SUB TECHNICAL DATA

SHELL : Steel 50u" min nickel
 BODY : Glass filled thermoplastic.
 Flame retardant to UL94 V-0 Color Black
 CONTACTS : brass, gold flash over 50u" min nickel
 ELECTRICAL : Voltage rating : 600 V Rms to 50 Hz
 Current rating :5A
 Withstanding Voltage >1000 V Rms to50 Hz for one minute
 Insulation resistance >5000 M Ohms
 Contact resistance 25 mOhms max.
 CLIMATIC : Temperature range -55 °C up to 125°C
 MARKING : Amphenol-...(Series No.)
 Commercial reference
 Manufacturing date

REVISONS		DATE	APPROVED
SWM	ECN		
A		07/02/07	

PRODUCT CODE



UNLESS OTHERWISE SPECIFIED	APPROVAL	DATE	TITLE
TOLEANCES U.S. METRIC X +/- 0.50 XX +/- 0.30 XXX +/- 0.20 FRACTIONS +/- ANGLES +/- 2°	DRAWN CHECKED U.S. METRIC 07/02/07 07/02/07		Amphenol

FOR MATERIALS AND FINISHES SEE NOTES REMOVE SHARP EDGES		ANGLE OF PROJECTION	SIZE DRAWING NO.	REV.
U.S. DIMENSIONS	METRIC DIMENSIONS		C L717SDA15P	A
INCHES	MILLIMETERS		SCALE NONE	SHEET 1 OF 1

