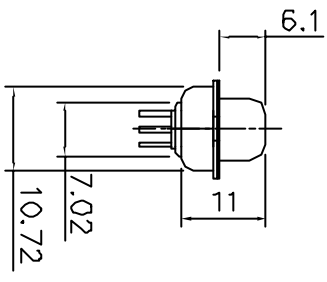
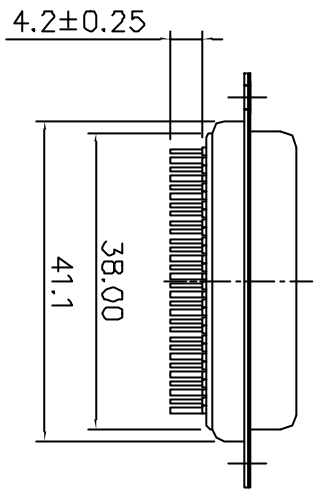
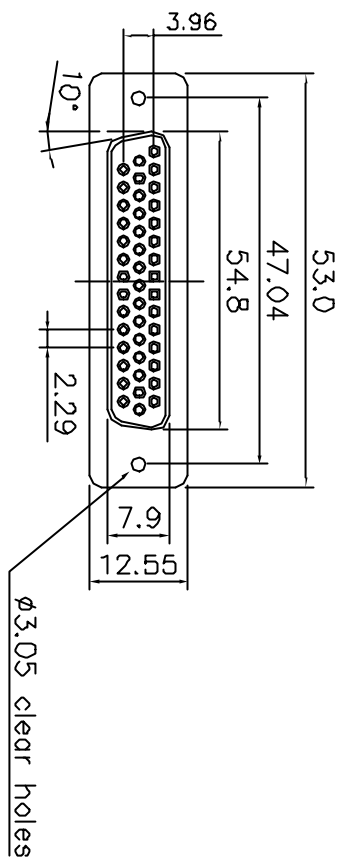


This document is the property of Amphenol Corporation and is delivered on the express condition that it is not to be disclosed, reproduced or used, in whole or in part, for the manufacture or sale by anyone other than Amphenol Corporation without its prior consent, and that no right is granted in disclosure or to use any information in this document.

# FEMALE



**Specifications**  
 Contact Resistance: 30m max. at DC 100mA  
 Insulator Resistance: 1000M min. at DC 500V  
 Current Rating: 3 AMP  
 Dielectric Withstanding  
 Voltage: AC 1000V For 1 minute  
 Operating Temperature: -55°C ~ +125°C  
 Contact: Brass, selective gold , see table below  
 Tails : pure Tin over Nickel  
 Housing: PBT & 30% Glass Fiber (UL 94V-0)  
 RoHS compliant  
 MSL components : level 3

Drawing number	Contact plating
L77HDB44SOL2	Gold flash
L177HDB44SOL2	15µInches
L77HDB44SOL2C309	30µInches

TOLERANCE	m/m	APPROVALS	DATE	TITLE
X	±0.5	GDU	28/08/06	17HD SERIES HIGH DENSITY D-SUB CONNECTORS STRAIGHT PCB MOUNT SOCKET
X.X	±0.3	JF.L	28/08/06	
X.XX	±0.2	JF.L	28/08/06	

SIZE: A4	DRAWING: L--7HDB44SOL2----	REV: A
Scale N.A.		Sheet 1 of 1
AMPHENOL		AMPHENOL SOCAPEX
Dole Plant		