

Cat.6A RJ45 Field Plug, Toolless

Art no.: MP0028

Technical Features

Cat.6A Class EA Channel tested

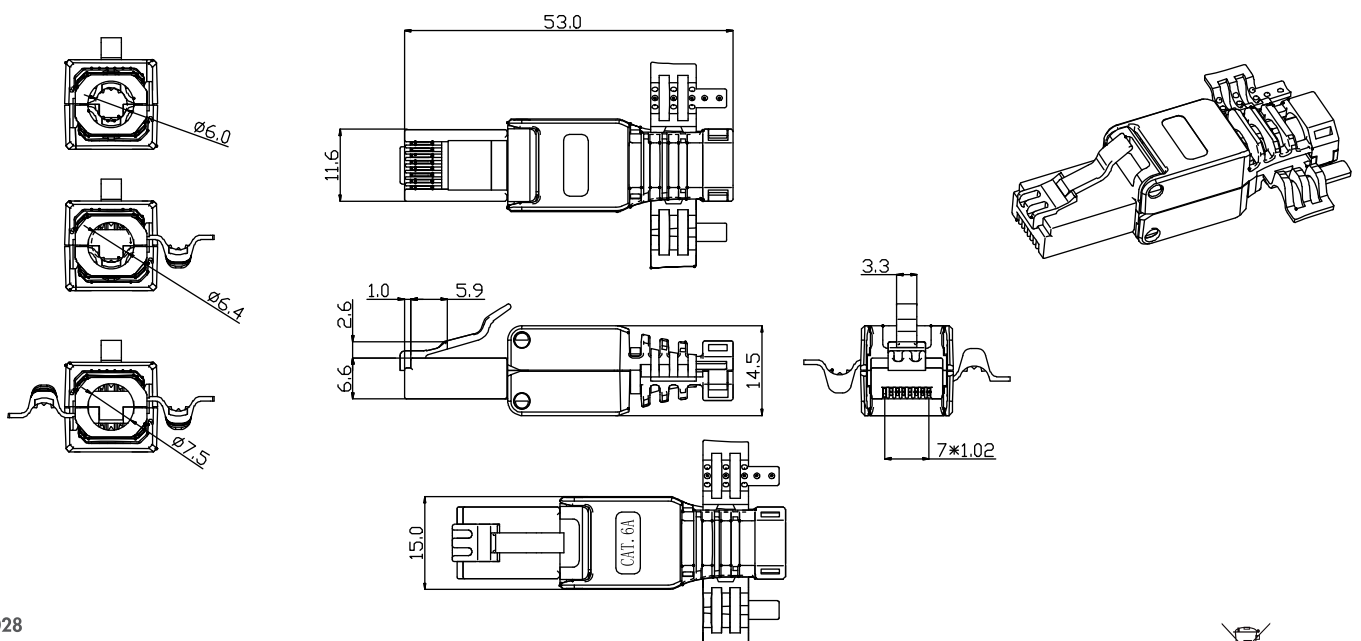
Field Installed RJ45 unshielded connector

For round cable 5 - 6.5 mm OD

For AWG 22-24 cable

Hood Color: White RAL9003

Technical Drawings



MP0028



4 052792 048667
Made in China

www.logilink.de



RoHS
compliant

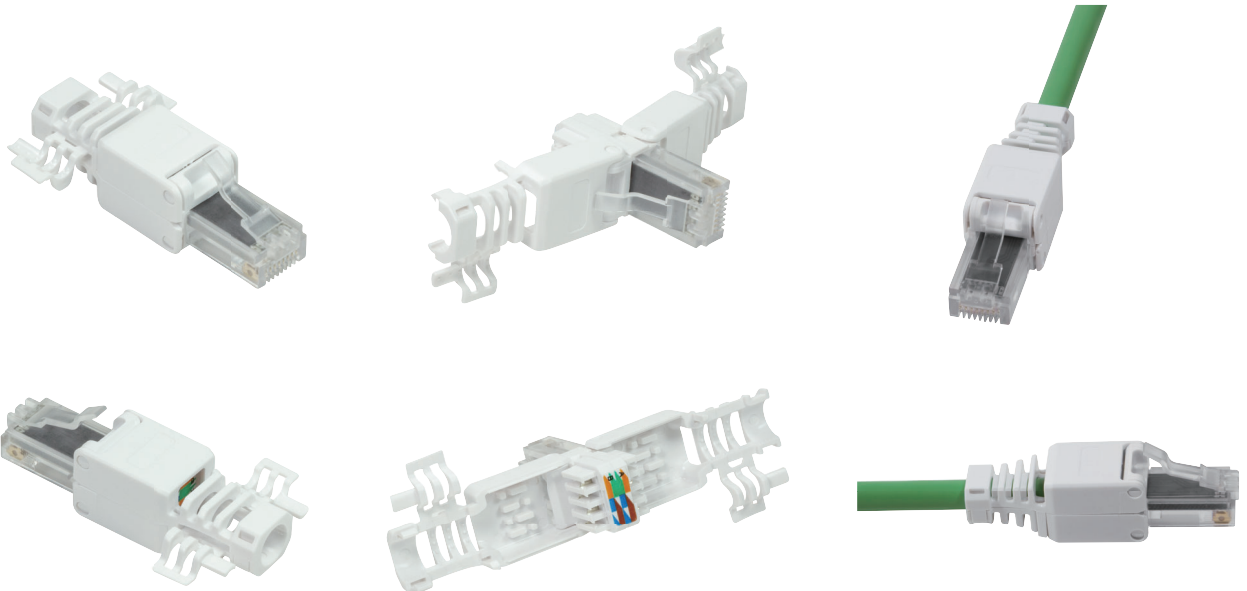
* The specifications and pictures are subject to change without notice.
*All trade names referenced are the registered trademark of their respective owners.

Package Contents

1 x Cat.6A RJ45 Field Plug

Packaging Information

Packing Dimension	100 x 70 x 4mm
Packing Weight	0.019kg
Carton Dimension	620 x 420 x 230mm
Carton Q'ty	1000pcs
Carton Weight	20kg



MP0028



4 052792 048667
Made in China

www.logilink.de



RoHS
compliant

* The specifications and pictures are subject to change without notice.
*All trade names referenced are the registered trademark of their respective owners.