



## Cat.6A Field Terminable Plug

Part no.: MP0040

### Technical Features

Field terminable Cat.6A Rj45 Plug

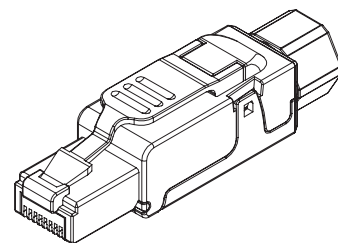
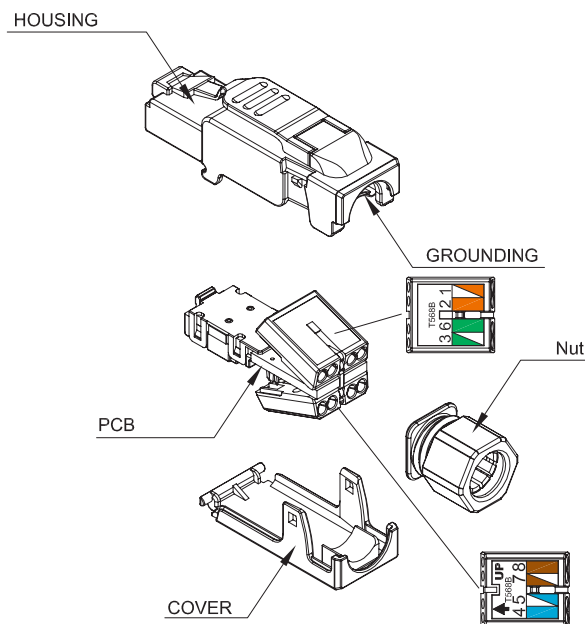
According to ISO/IEC11801, TIA568-C.2

IDC wire gauge: 23-26 AWG

Zinc-alloy fully shielded

Metal housing

### Technical Drawings



MP0040



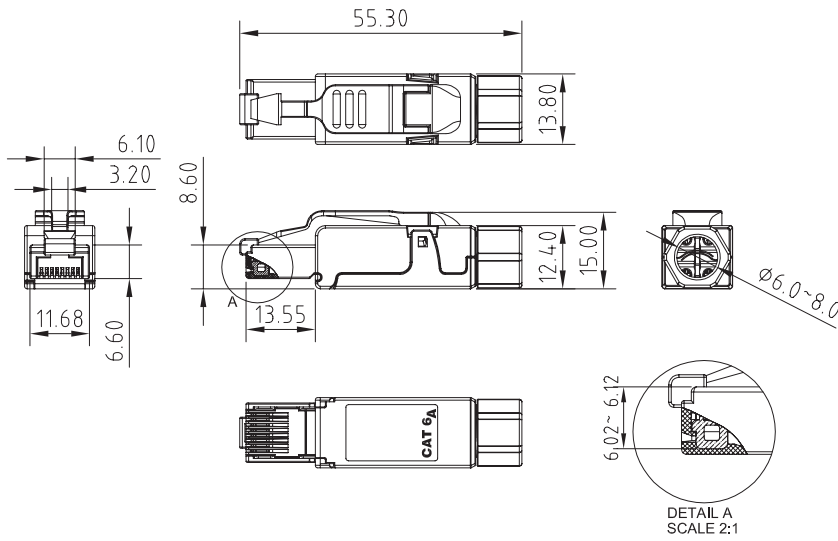
Made in China

[www.logilink.com](http://www.logilink.com)



RoHS  
compliant

\* The specifications and pictures are subject to change without notice.  
\*All trade names referenced are the registered trademark of their respective owners.



**TRANSMISSION PERFORMANCE**  
 Meet all requirements specified in Patch Cord requirement of  
 ISO/IEC 11801, Category 6A  
 ANSI/TIA-568-C.2, Category 6A

**ELECTRICAL**

Electrical Insulation Resistance : 500MΩ min. @100V d.c  
 Dielectric Withstanding Voltage : 1000V D.C or A.C Peak,  
 Contact to Contact; 1500V D.C or A.C Peak,  
 Contact to Shield @ 60Hz for 1 Minute.

**MECHANICAL**

IDC Wire Gauge : 23 ~ 26 AWG

**PHYSICAL**

Housing : Zinc-alloy fully shielded  
 Contact pin : Phosphor Bronze Alloy Plated With  
 50 micro-inch of Gold  
 IDC : Phosphor Bronze Alloy With 100  
 micro-inch 100% Sn Alloy

## Package Contents

1 x Cat.6A Field Terminable Plug

## Packaging Informations

Packing Dimension	101 x 178mm
Packing Weight	0.024kg
Carton Dimension	515 x 400 x 230mm
Carton Q'ty	280pcs
Carton Weight	8.6kg



www.logilink.com



\* The specifications and pictures are subject to change without notice.  
 \*All trade names referenced are the registered trademark of their respective owners.