



Art No. NP0029

## CAT5e Modular Coupling, 1:1

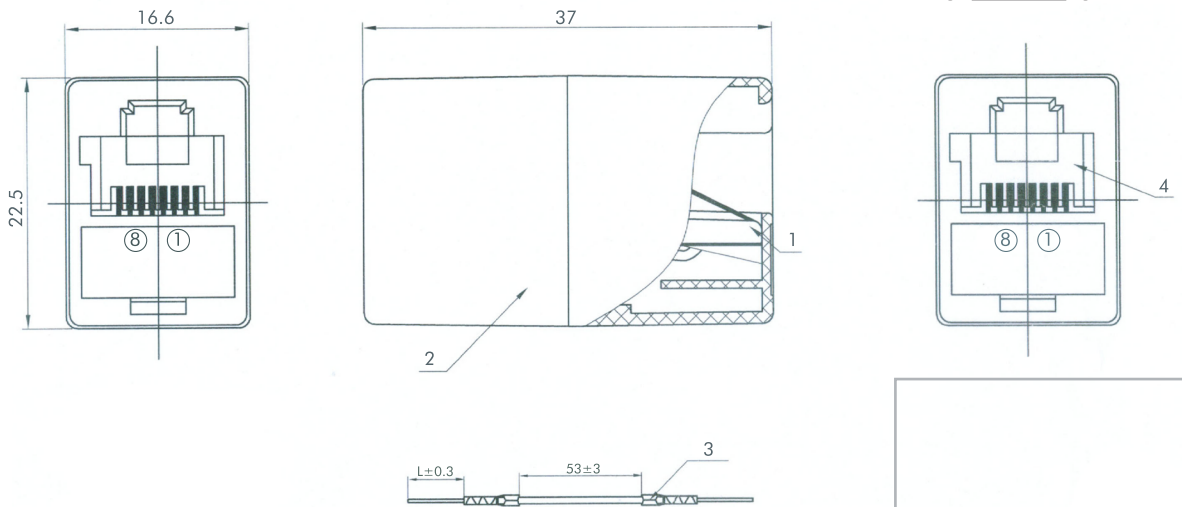
### Specification:

- Modular coupling for network cables
- Adapter also suitable for ISDN cables
- 2 X RJ45 shielded sockets
- Allocation: 1:1
- Compliance with CAT5e standard
- Metallized housing

### Packaging Information:

- Packing Dimension: mm
- Packing Weight: kg
- Carton Dimension: mm
- Carton Q'ty: pcs
- Carton Weight: kgs

Wiring		
J1		J2
①	blue	①
②	orange	②
③	black	③
④	red	④
⑤	green	⑤
⑥	yellow	⑥
⑦	brown	⑦
⑧	white	⑧



\* The specifications and pictures are subject to change without notice.  
 \*All trade names referenced are the registered network of their respective owners.



RoHS  
compliant



Made in China