



## RJ45 T-Adapter 1:1 parallel

Part no.: NP0042

### Technical Features

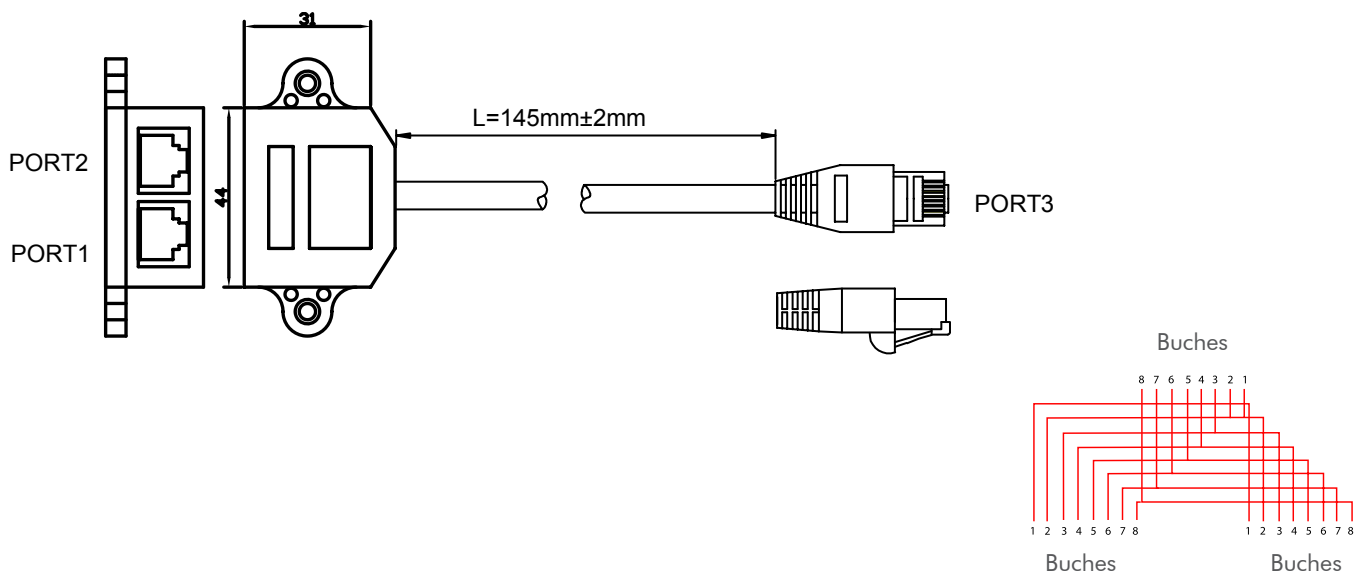
Port Doppler 1:1 parallel pinout, shielded

For TP cable sharing

2 Adapters needed

Metallized housing with 15 cm cable

### Technical Drawings



NP0042



4 052792 003734

Made in China

[www.logilink.com](http://www.logilink.com)



RoHS  
compliant



\* The specifications and pictures are subject to change without notice.  
\*All trade names referenced are the registered trademark of their respective owners.

## Package Contents

## Packaging Informations

Packing Dimension	150 x 50 x 25mm
Packing Weight	0.05kg
Carton Dimension	53.5 x 36 x 31mm
Carton Q'ty	200pcs
Carton Weight	6.5kg

NP0042



4 052792 003734

Made in China

[www.logilink.com](http://www.logilink.com)



RoHS  
compliant



\* The specifications and pictures are subject to change without notice.  
\*All trade names referenced are the registered namework of their respective owners.