



Cat 6A Surface Mount Box 2 x RJ45

Part no.: NP0074

Technical Features

Cat 6A Class EA 500MHz

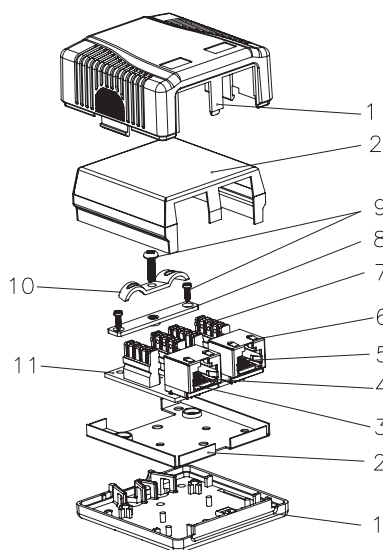
TIA/EIA 568C.2 & ISO/IEC11801

2 ports RJ45, fully shielded

Adhesive or screw fixing

Color: RAL 9010 pure white

Technical Drawings



Material

1. Case: ABS, UL 94V-0
2. Metal Cover: SECC, 0.6mm Thickness
3. RJ45 Jack Housing: PBT+Glass Fiber, UL 94V-0, Black Color
4. Contact Bracket: PBT+Glass Fiber, UL 94V-0, Black Color
5. RJ45 Jack Contact:
 - Material: Phosphor Bronze with Nickel Plated
 - Finish: 50 micro-inch Gold Plated on Plug Contact Area
6. RJ45 Jack Shield: Bronze with Nickel Plated
7. IDC:
 - IDC Housing: PC+Glass Fiber, UL 94V-2
 - IDC Terminal: Phosphor Bronze with Tin Plated
8. Grounding Plate: SPCC, 1.5mm Thickness with Nickel Plated
9. Screw: M2.0 x 6.0 x Ø3.3mm/M3.5 x 16.0 x Ø6.0mm
10. " M " Clip: SPCC, 1.5mm Thickness with Nickel Plated
11. PCB: FR4, UL 94V-0

PC0074



Made in China

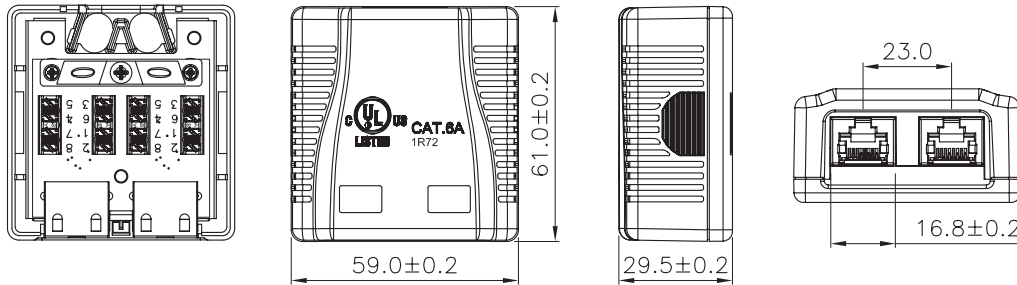
www.logilink.com



RoHS
compliant



* The specifications and pictures are subject to change without notice.
*All trade names referenced are the registered trademark of their respective owners.



Unit: mm

Package Contents

Cat 6A Surface Mount Box 2 x RJ45 x 1

Packaging Informations

| | |
|-------------------|-------------------|
| Packing Dimension | 65 x 65 x 35mm |
| Packing Weight | 0.06kg |
| Carton Dimension | 420 x 390 x 330mm |
| Carton Q'ty | 250pcs |
| Carton Weight | 15kg |



PC0074



4 052792 043747

Made in China

www.logilink.com



RoHS
compliant



* The specifications and pictures are subject to change without notice.
*All trade names referenced are the registered trademark of their respective owners.