



USB Plug, Toolless Type Set with 3 parts including boot

Technical Features

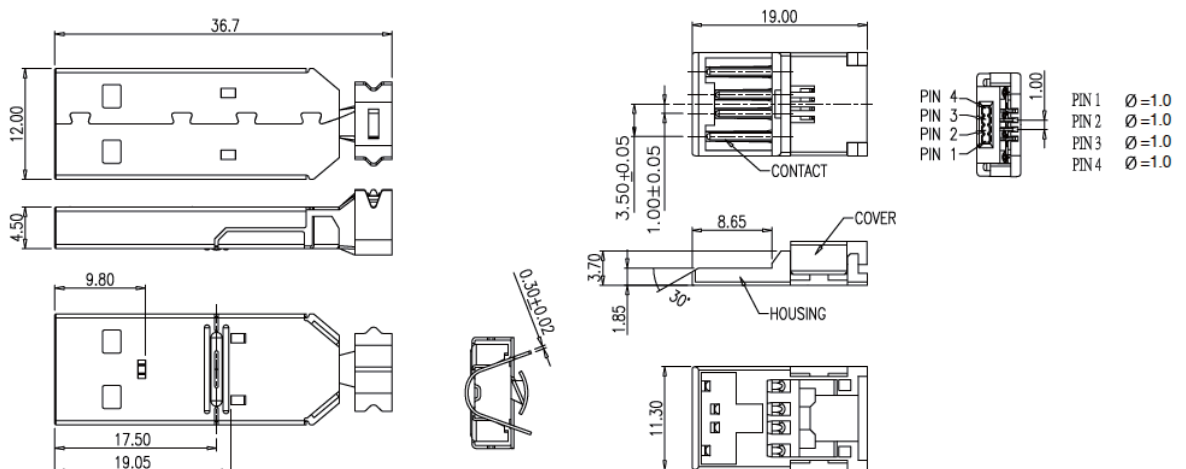
USB plug toolless type

With grey boot

Part-No	USB Type	EAN Code
UP0003	USB-A	4052792038101
UP0004	USB-B	4052792038118

Technical Drawings

UP0003



www.logilink.de



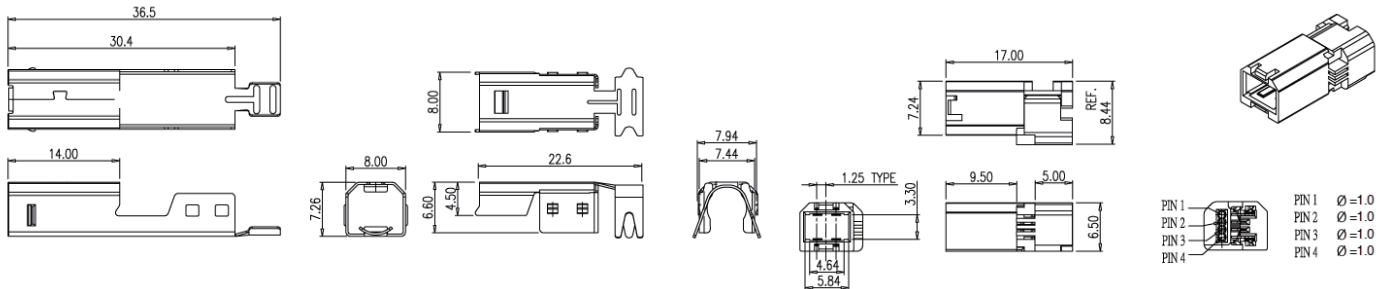
RoHS
compliant



Made in China

* The specifications and pictures are subject to change without notice.
*All trade names referenced are the registered trademark of their respective owners.

UP0004



Package Contents

1 x USB connector set

Packaging Informations

Packing Dimension	55 x 83mm
Packing Weight	0,005kg
Carton Dimension	380 x 280 x 200mm
Carton Q'ty	500pcs
Carton Weight	4kg

www.logilink.de



RoHS
compliant



Made in China

* The specifications and pictures are subject to change without notice.
*All trade names referenced are the registered network of their respective owners.