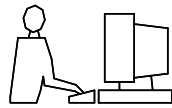
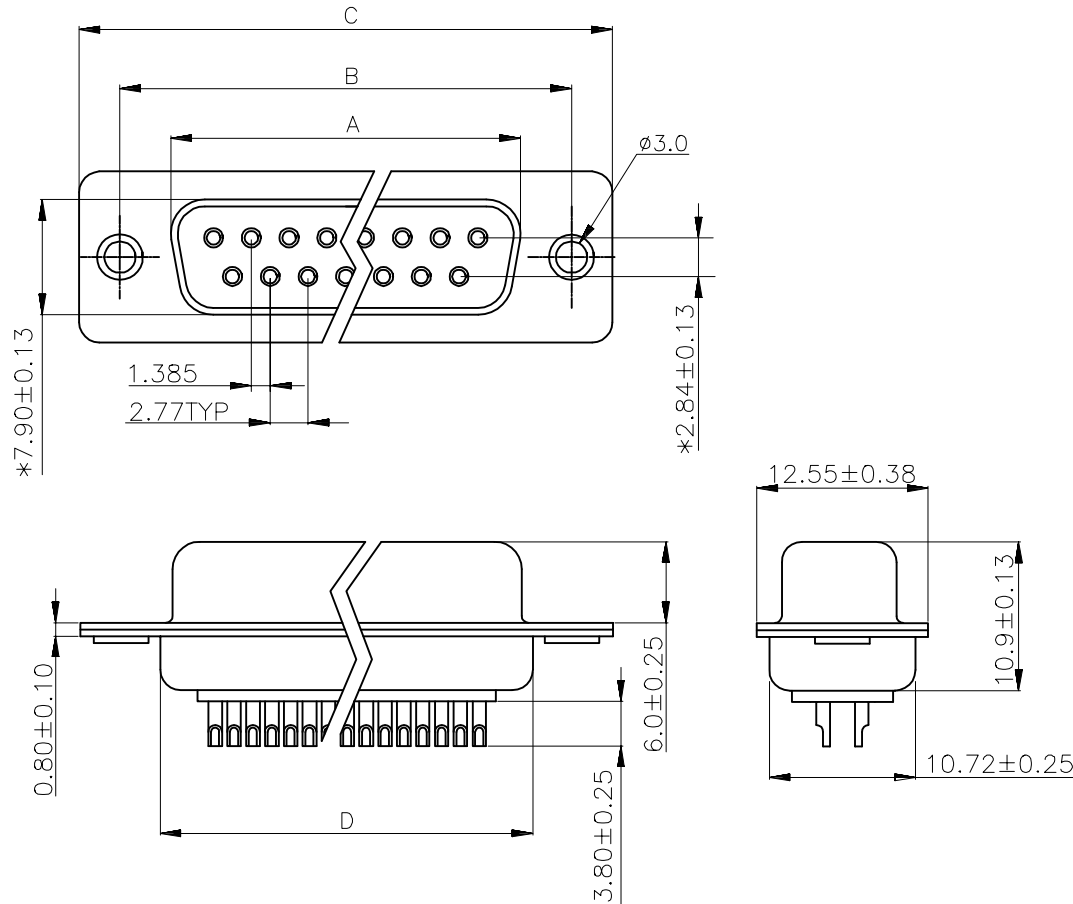


THIS IS A C.A.D. GENERATED DRAWING
DO NOT MAKE MANUAL REVISIONS TO MASTER.



* UNLESS OTHERWISE SPECIFIED TOLERANCES
ON DECIMAL IS: X.X ±0.25 X.X' ±2'
UNIT: MM X.XX ±0.15 X.X" ±0.05"



1. MATERIAL AND FINISH

- 1.1 SHELL: STEEL MATERIAL, TIN PLATED FINISHED
- 1.2 INSULATOR: PBT THERMOPLASTIC, 30% GLASS FILLED, UL 94V-0 RATED, BLACK COLOR
- 1.3 CONTACT MATERIAL: BRASS
- 1.4 CONTACT FINISH: G/F PLATED

2. ELECTRICAL CHARACTERISTICS

- 2.1 CONTACT CURRENT RATING: 5.0 AMPS
- 2.2 CONTACT RESISTANCE: 30 MILLIOHMS MAX
- 2.3 DIELECTRIC WITHSTANDING VOLTAGE: 1000V AC MIN
- 2.4 INSULATION RESISTANCE: 5000 MEGAOHMS MIN
- 2.5 TEMPERATURE RATING: -55°C ~ +105°C

Order Code

Socket Connector	Machined Contacts
09	2101-0200-11 MHDM09-SS
15	2101-0200-12 MHDM15-SS
25	2101-0200-13 MHDM25-SS
37	2101-0200-14 MHDM37-SS
50	On request

Part Number	SIZE	A±0.25	B±0.13	C±0.38	D±0.25
MHDM09-SS	09	16.33	24.99	30.81	19.28
MHDM15-SS	15	24.66	33.32	39.14	27.51
MHDM25-SS	25	38.38	47.04	53.04	41.28
MHDM37-SS	37	54.84	63.50	69.32	57.71

THESE DRAWINGS AND SPECIFICATIONS ARE THE PROPERTY OF MH CONNECTORS LTD. AND SHALL NOT BE REPRODUCED, COPIED OR USED AS THE BASIS FOR THE MANUFACTURE OR SALE OF APPARATUS WITHOUT WRITTEN PERMISSION.

DRAWN Haley	DATE 10-13-14
APPROVED Damien	DATE 10-13-14



THIS SERIES FULLY CONFORMS TO THE EUROPEAN UNION DIRECTIVES 2002/95/EC AND 2002/96/EC FOR RoHS COMPLIANCY.



MH CONNECTORS LTD.

SCALE	SHEET OF 1 OF 1	REV: 5.0
DRAWING No MHDMXX-SS		