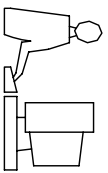
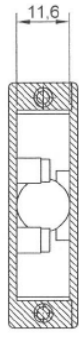
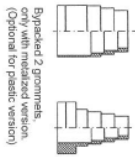


THIS IS A C.A.D. GENERATED DRAWING  
DO NOT MAKE MANUAL REVISIONS TO MASTER.

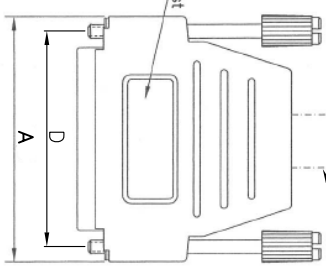
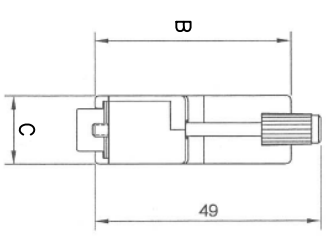


**BACKSHELL KIT INCLUDES:**

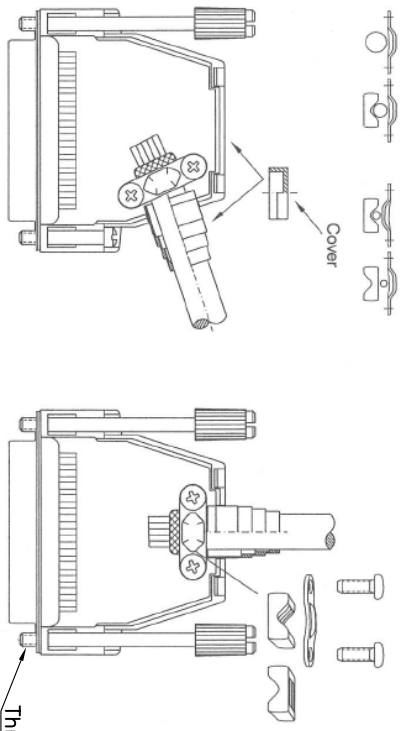
- (2) BACKSHELL HALVES
- (3) 4-40 THUMBSCREWS
- (2) CLAMP SCREWS
- (2) CLAMP SCREWS
- (1) BLANKING PLUG
- (1) SET OF COMPRESSION INSERTS-VARIOUS SIZES FOR 9-37



max O.D 11,5mm



Logo upon request



Thread UNC4-40

**BACKSHELL MATERIAL:** ABS,UL RECOGNIZED  
**PLATING:** NICKEL  
**JACKSCREWS:** STEEL,ZN PLATED WITH PLASTIC KNOB  
**COMPRESSION INSERT:** ABS,UL RECOGNIZED  
**CLAMP SCREW:** STEEL,ZN PLATED  
**OPERATING TEMP:** -55°C TO+110°C



THIS SERIES FULLY CONFORMS TO THE  
EUROPEAN UNION DIRECTIVES 2002/95/EC  
AND 2002/96/EC FOR ROHS COMPLIANCY.



\* UNLESS OTHERWISE SPECIFIED TOLERANCES  
ON DECIMAL IS: ANGLE ± 1°  
UNIT: MM .XX ± 0.35

DIMENSIONS(mm/in)				
SIZE	A ±.25 ±0.10	B ±.25 ±0.10	C ±.25 ±0.10	D ±.13 ±.05
9	31.5	40.0	15.00	24.99
15	1.240	1.575	0.591	0.984
	40.0	40.0	15.00	33.32
25	1.575	1.575	0.591	1.312
	53.5	43.0	15.00	47.04
37	2.106	1.693	0.591	1.852
	71.3	40.0	15.00	63.50
	2.807	1.575	0.591	2.500

**ORDERING INFORMATION:**

SIZE	P/N - KITTED	PRODUCT CODE
9-WAY	6260-0106-01	MHDSK-M-09-L-K
15-WAY	6260-0106-02	MHDSK-M-15-L-K
25-WAY	6260-0106-03	MHDSK-M-25-L-K
37-WAY	6260-0106-14	MHDSK-M-37-S-K

SIZE	P/N - BULK	PRODUCT CODE
9-WAY	6261-0106-01	MHDSK-M-09-L
15-WAY	6261-0106-02	MHDSK-M-15-L
25-WAY	6261-0106-03	MHDSK-M-25-L
37-WAY	6261-0106-14	MHDSK-M-37-S

THESE DRAWINGS AND SPECIFICATIONS ARE THE PROPERTY OF MH CONNECTORS LTD. AND SHALL NOT BE REPRODUCED, COPIED OR USED AS THE BASIS FOR THE MANUFACTURE OR SALE OF APPARATUS WITHOUT WRITTEN PERMISSION.		DRAWN Johnny	DATE 12-04-12
		APPROVED	DATE

MH CONNECTORS LTD.		SCALE 1:1	SHEET OF 1 DF 1	REV: 1.0
		DRAWING No MHDSK-M-XX-L/S		