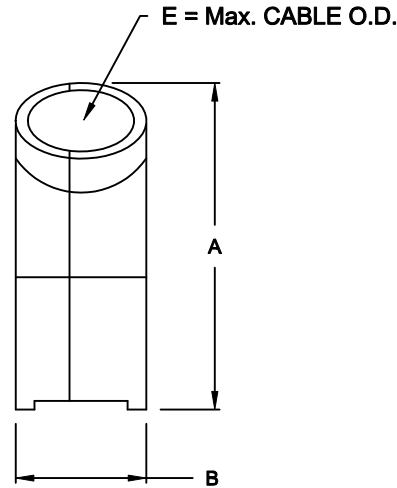
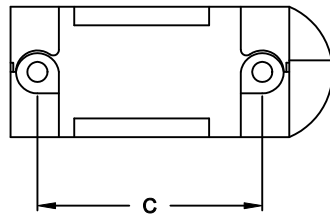
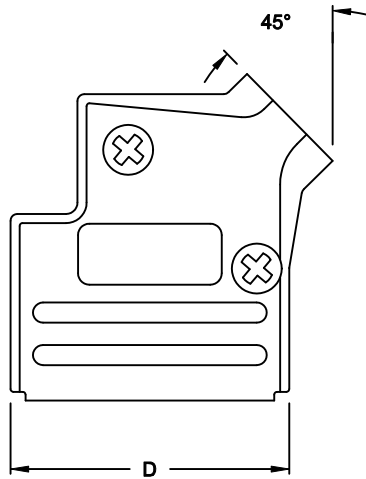


BACKSHELL KIT INCLUDES:

- (2) BACKSHELL HALVES
- (2) MOUNTING SCREWS
- (1) SET OF COMPRESSION INSERTS - VARIOUS SIZES
DIAMETER: 4mm (0.157"), 5mm (0.197"), 7mm (0.276"), 9mm (0.354")



DIMENSIONS (mm/in.)					
SIZE:	A ± 0.25 ± 0.010	B ± 0.25 ± 0.010	C ± 0.13 ± 0.005	D ± 0.25 ± 0.010	E
09	36.30	14.50	24.99	30.99	13.00
	1.429	0.571	0.984	1.220	0.512
15	40.30	14.50	33.32	39.50	13.00
	1.587	0.571	0.984	1.220	0.512
25	40.30	14.50	47.04	53.19	13.00
	1.587	0.571	0.984	1.220	0.512
37	40.30	14.50	63.5	69.70	13.00
	1.587	0.571	2.500	2.744	0.512

ORDERING INFORMATION:

SIZE:	P/N - KITTED:	PRODUCT CODE:
9-WAY	6560-0206-31	MHDVSL-09-K
15-WAY	6560-0206-32	MHDVSL-15-K
25-WAY	6560-0206-33	MHDVSL-25-K
37-WAY	6560-0206-34	MHDVSL-37-K

SIZE:	P/N - BULK:	PRODUCT CODE:
9-WAY	6561-0206-31	MHDVSL-09
15-WAY	6561-0206-32	MHDVSL-15
25-WAY	6561-0206-33	MHDVSL-25
37-WAY	6561-0206-34	MHDVSL-37

SPECIFICATION:

BACKSHELL MATERIAL: DIE CAST ZINC ALLOY
NICKEL PLATED
COMPRESSION INSERT: ABS - UL RECOGNIZED
HOUSING SCREWS: STEEL - Zn PLATED
OPERATING TEMP: -40° TO +120°

THESE DRAWINGS AND SPECIFICATIONS ARE THE PROPERTY OF MH CONNECTORS LTD. AND SHALL NOT BE REPRODUCED, COPIED OR USED AS THE BASIS FOR THE MANUFACTURE OR SALE OF APPARATUS WITHOUT WRITTEN PERMISSION.

DRAWN		DATE	
P. JENKINS		03-14-12	
APPROVED		DATE	
D. CROFT		03-14-12	
SCALE	SHEET	OF	REV:
NTS	1	1	A

RoHS COMPLIANT



MH CONNECTORS LTD.

DRAWING No
MHDVSL SERIES