

DO NOT SCALE DRAWING

8 7 6 5 4 3 2 1

DWG. NO. SD-56579-014

F

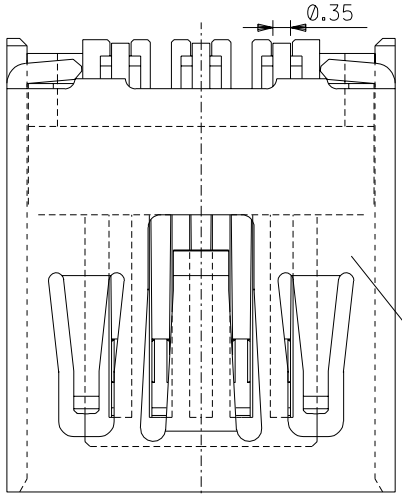
D

V

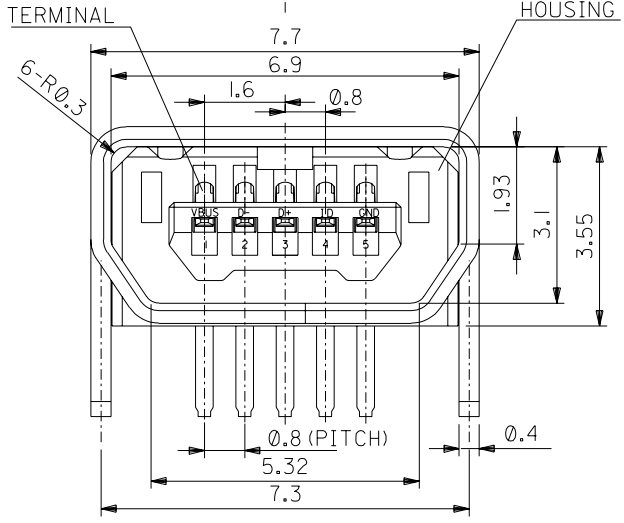
C

B

DO NOT SCALE DRAWING

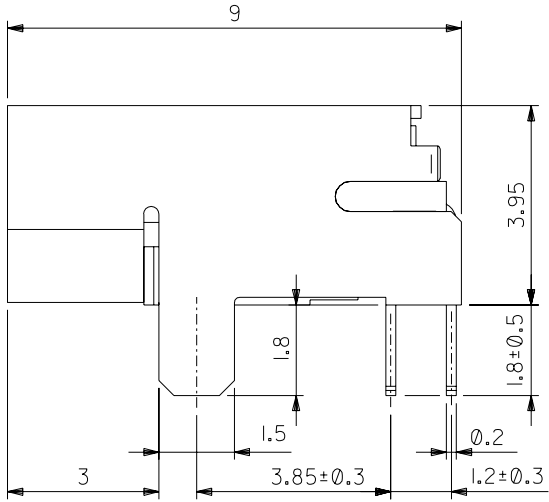


SHIELD CASE



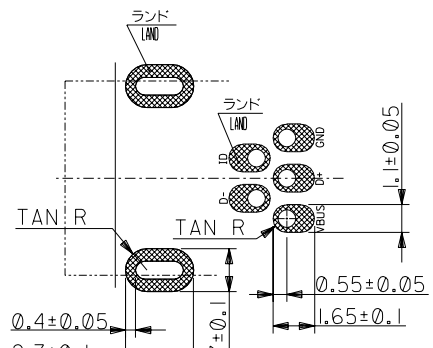
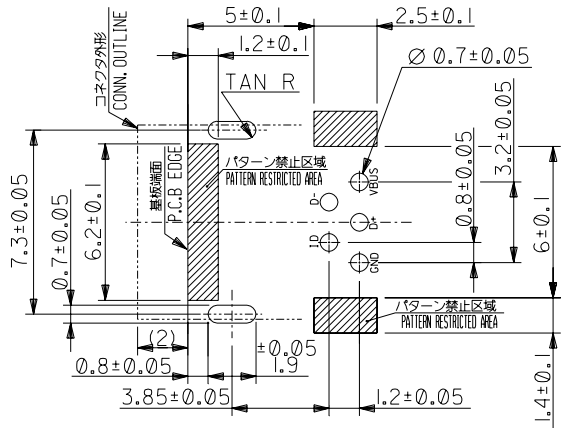
TERMINAL

HOUSING



コネクタ実装側 (CONNECTOR MOUNT SIDE)

逆側 (REVERSE SIDE)



推奨基板寸法

RECOMMENDED P.C.B. PATTERN LAYOUT

- 注記 1. 材質
NOTES MATERIAL
ハウジング:ポリフタルアミド ガラス充填 灰色 UL94V-0
HOUSING:POLYPHTHAL AMIDE GLASS FILLED,GRAY,UL94V-0
ターミナル:銅合金 (t=0.2)
TERMINAL:COPPER ALLOY(t=0.2)
シールド ケース:銅合金 (t=0.4)
SHIELD CASE:COPPER ALLOY(t=0.4)
2. メッキ仕様
PLATING
ターミナル
TERMINAL
接点部:金メッキ 0.76μm MIN.
CONTACT AREA:GOLD 0.76MICRO METER MIN.
半田付け部:鍍メッキ 1.0μm MIN.
SOLDER TAIL AREA:TIN 1.0MICRO METER MIN.
下地部:ニッケルメッキ 4.0μm MIN.
UNDER PLATING:NICKEL 4.0MICRO METER MIN.
シールド ケース
SHIELD CASE
:鍍メッキ 1.0μm MIN.
:TIN 1.0MICRO METER MIN.
下地部:ニッケルメッキ 1.0μm MIN.
UNDER PLATING:NICKEL 1.0 MICRO METER MIN.
3. 本製品は56579-0511の鉛フリー品である。
THIS PRODUCT IS LEAD FREE OF 56579-0511

164 NO. DRAWN: CH'K: APPR:
163 NO. DRAWN: CH'K: APPR:
162 NO. DRAWN: CH'K: APPR:
161 NO. DRAWN: CH'K: APPR:

RELEASED
160 NO. J2004-2996
DRAWN: M.NAGATA '04/03/10
CH'K: K.TOJO '04/03/10
APPR: M.SASAO '04/03/10

MATERIAL 材料
SEE NOTES

FINISH 仕上げ
SEE NOTES

WIRE RANGE 適用線径範囲
— #

INS. RANGE 被覆外径
— #

GENERAL TOLERANCES:
(UNLESS SPECIFIED)
一般公差

10 UNDER 未満	±0.2
10 OVER 以上 30 UNDER 未満	±0.25
30 OVER 以上	±0.3

ANGLE 角度
±3°

MODEL NO.	56579-**19	DIMENSIONS:	SHT	REV
DESIGN UNITS	<input checked="" type="checkbox"/> mm <input type="checkbox"/> INCH	<input type="checkbox"/> mm <input type="checkbox"/> INCH		
PROJECTION	<input checked="" type="checkbox"/> 1ST ANGLE			
DRAWN BY & DATE	M.NAGATA '04/03/10	TITLE:		
CHECKED BY & DATE	K.TOJO '04/03/10	USB SERIES MINI-AB REC. ASS'Y DIP		
APPROVED BY & DATE	M.SASAO '04/03/10	-LEAD FREE-		
CAD FILENAME	SD-56579-014.S01	MOLEX INCORPORATED		
MATERIAL NO.	56579-0519	DRAWING NO.	SD-56579-014	SHEET NO. 1 OF 2
THIS DRAWING CONTAINS INFORMATION THAT IS PROPRIETARY TO MOLEX INCORPORATED AND SHOULD NOT BE USED WITHOUT WRITTEN PERMISSION.				
				SIZE B

8 7 6 5 4 3 2 1 EN-02J(097) MXJ-54

A SD-56579-014.S01

DWG. NO. SD-56579-014

F

D

V

C

B

DO NOT SCALE DRAWING

8 7 6 5 4 3 2 1

F

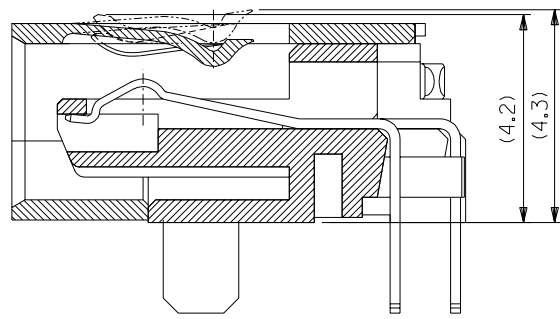
E

D

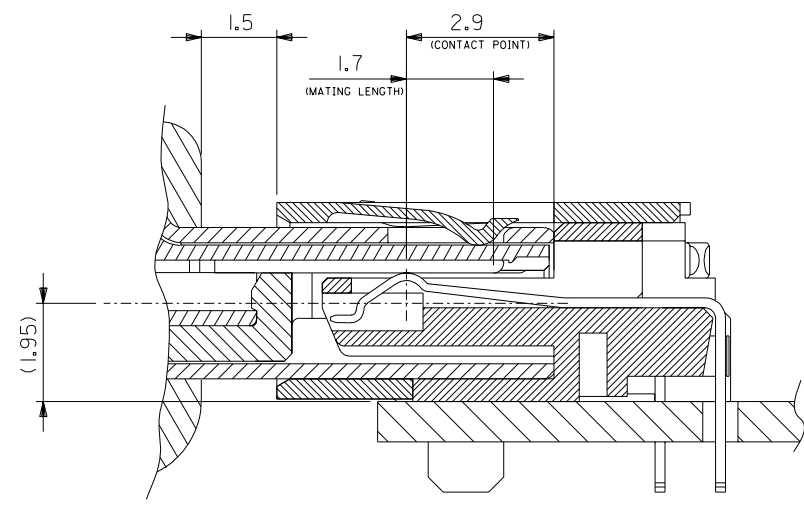
C

B

A



SECTION



MATING

634 NO. DRWN: CH'K: APPR:		633 NO. DRWN: CH'K: APPR:		62 NO. DRWN: CH'K: APPR:		61 NO. DRWN: CH'K: APPR:		60 NO. DRWN: CH'K: APPR: SEE SHEET 1		MATERIAL 材料 SEE NOTES		GENERAL TOLERANCES: (UNLESS SPECIFIED) 一般公差 10 UNDER 未滿 ±0.2 10 OVER 30 UNDER 以上 未滿 ±0.25 30 OVER 以上 ±0.3 WIRE RANGE 適用電線範圍 # ANGLE 角度 ±3°		SCALE 1:1 DESIGN UNITS mm INCH DRAWN BY & DATE M.NAGATA '04/03/10 CHECKED BY & DATE K.TOJO '04/03/10 APPROVED BY & DATE M.SASAO '04/03/10 CAD FILENAME SD-56579-014.S02		DIMENSIONS: mm INCH mm ONLY SHT 2 REV B OTHERWISE ON CAD ONLY		TITLE: USB SERIES MINI-AB REC. ASS'Y DIP -LEAD FREE- MOLEX INCORPORATED		MATERIAL NO. 56579-0519 DRAWING NO. SD-56579-014 SHEET NO. 2	
8		7		6		5		4		3		2		1		EN-02J(097) MXJ-54					

THIS DRAWING CONTAINS INFORMATION THAT IS PROPRIETARY TO MOLEX INCORPORATED AND SHOULD NOT BE USED WITHOUT WRITTEN PERMISSION.