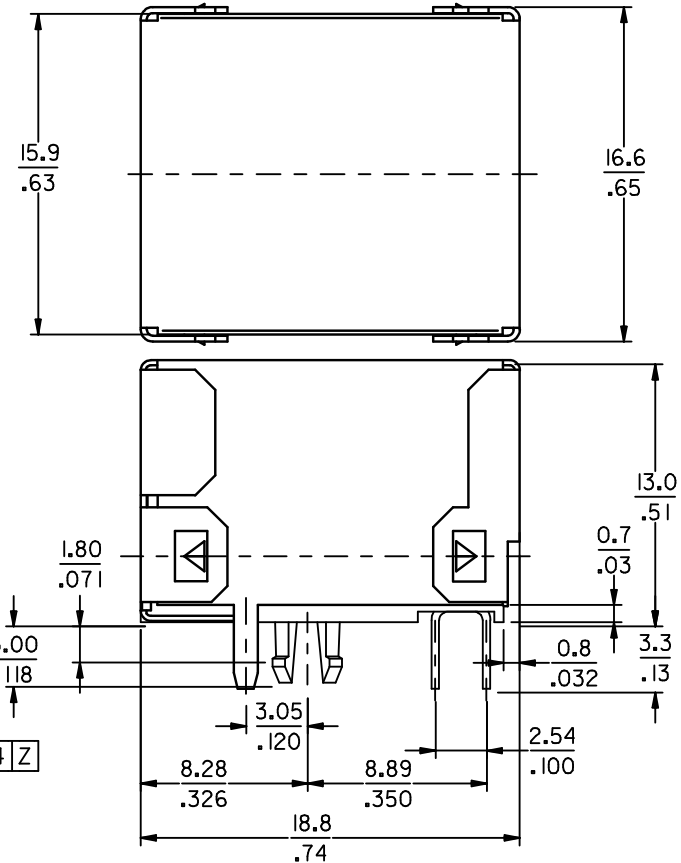
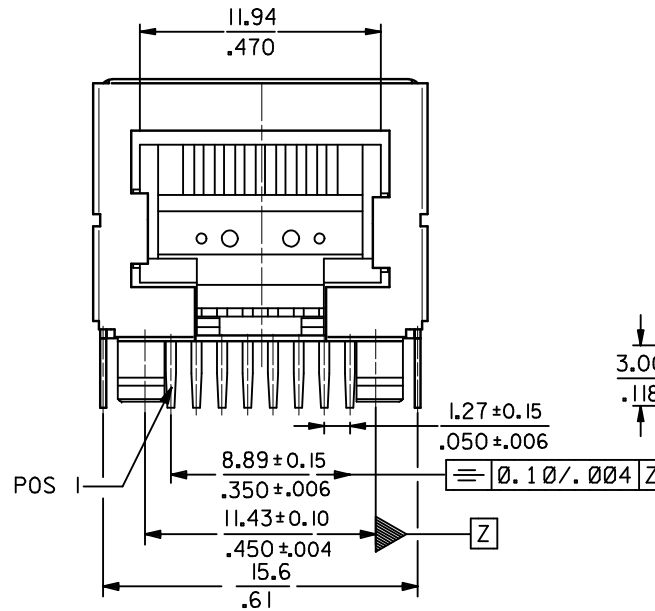
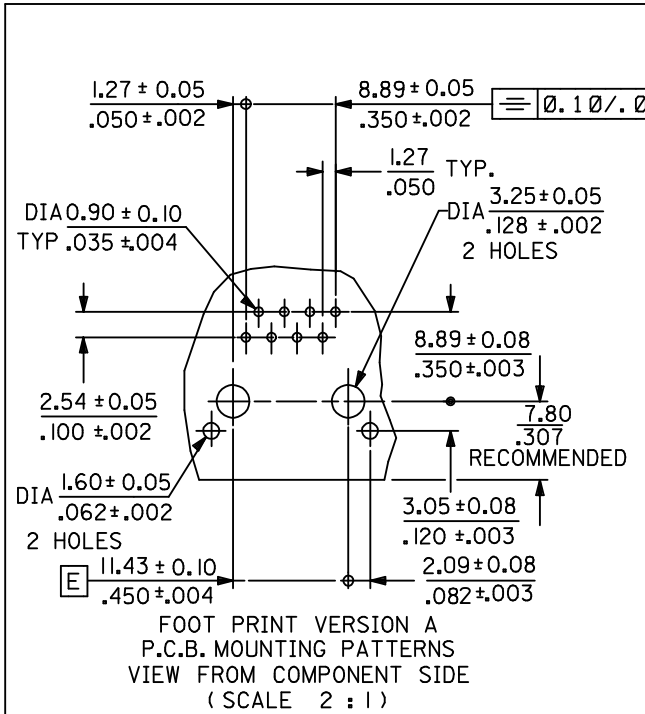


**TECHNICAL SPECIFICATIONS:**

**I- MATERIAL :**

HOUSING: LCP GLASS FILLED UL 94V0 COLOR BLACK  
 TERMINAL : PHOSPHOR BRONZE PLATED WITH :  
 0.00127/.000050 MIN. GOLD IN CONTACT AREA,  
 0.00190/.000075 MIN. PURE TIN IN TAIL AREA,  
 BOTH OVER 0.00127/.000050 MIN. NICKEL OVERALL  
 SHIELD : BRASS PLATED WITH 0.0020/.000078 MIN. TIN

| ENG. N°    | FOOTPRINT VERSION | HOUSING SIZE | LOADED CKTS | PANEL GROUND | TOOLED | PACKAGING SPEC. TUBE PACKAGING. |
|------------|-------------------|--------------|-------------|--------------|--------|---------------------------------|
| 85505-5113 | A                 | 8            | 8           | NO           | YES    | PK-95122-006                    |



**NOTES:**

- JACK FOR MATING WITH SHIELDED PLUG MOLEX 95043 AND 85568 SERIES.
- PRODUCT SPECIFICATION: MOLEX PS-85505-101
- APPLICATION SPECIFICATION: MOLEX AS-85513-001
- PACKAGING SPECIFICATION: SEE CHART
- P.C. BOARD THICKNESS : 1.57/.062
- EXCEEDS CATEGORY 5E PERFORMANCE.

| REV | DESCRIPTION                                                                                                         | QUALITY SYMBOLS | GENERAL TOLERANCES (UNLESS SPECIFIED)                |                       | DIMENSION STYLE          | SCALE                                                                                                                         | DESIGN UNITS        | THIRD ANGLE PROJECTION                                                                                                    |                                                                                                                                    |
|-----|---------------------------------------------------------------------------------------------------------------------|-----------------|------------------------------------------------------|-----------------------|--------------------------|-------------------------------------------------------------------------------------------------------------------------------|---------------------|---------------------------------------------------------------------------------------------------------------------------|------------------------------------------------------------------------------------------------------------------------------------|
|     |                                                                                                                     |                 | mm                                                   | INCH                  | MM/IN                    | 4:1                                                                                                                           | METRIC              | ⊕                                                                                                                         |                                                                                                                                    |
| D   | REMOVED PART 5013<br>EC NO: E2008-0230<br>DRWN:DBYRNES 2008/10/28<br>CHKD: 2009/02/27<br>APPR: J WALLACE 2009/03/03 | ▽=0<br>◻=0      | 4 PLACES ± --- ± ---                                 | 3 PLACES ± --- ± .010 | 2 PLACES ± 0.25 ± .014   | 1 PLACE ± 0.35 ± ---                                                                                                          | ANGULAR ± 2 °       | DRAWN BY DATE<br>TMARTIN 2005/03/08<br>CHECKED BY DATE<br>FCARABETTA 2005/03/08<br>APPROVED BY DATE<br>KNOLLER 2005/03/08 | TITLE<br>HIGH SPEED MODULAR JACK<br>R/A FULLY SHIELDED<br>THROUGH HOLE - VERSION A<br>MATERIAL NO.<br>DOCUMENT NO.<br>SD-85505-106 |
|     |                                                                                                                     |                 | DRAFT WHERE APPLICABLE MUST REMAIN WITHIN DIMENSIONS |                       | SIZE<br>A3               | THIS DRAWING CONTAINS INFORMATION THAT IS PROPRIETARY TO MOLEX INCORPORATED AND SHOULD NOT BE USED WITHOUT WRITTEN PERMISSION |                     |                                                                                                                           |                                                                                                                                    |
|     |                                                                                                                     |                 |                                                      |                       | MOLEX MOLEX INCORPORATED |                                                                                                                               | SHEET NO.<br>1 OF 1 |                                                                                                                           |                                                                                                                                    |