

NOTE:
CAVITY CONFIRMS TO FCC RULES AND REGULATIONS PART 68, SUBPART F.

- MATERIAL:**
 - HOUSING: PBT, WITH GLASS FIBER, UL94V-0, STANDARD COLOR-BLACK.
 - INSERT HOUSING: PA46, WITH GLASS FIBER, UL94V-0, STANDARD COLOR-BLACK.
 - CONTACTS: PHOSPHOR BRONZE.
 - SHELL: BRASS.
- FINISH:**
 - CONTACTS: GOLD PLATED ON CONTACT AREA, GOLD FLASH ON SOLDER TAIL, 1.27µm [50µ"] MIN. NICKEL UNDERPLATED OVERALL.
 - SHELL: 0.508µm [20µ"] MIN. NICKEL PLATED.



TOLERANCE (mm)	APPROVALS	DATE	TITLE	Amphenol Amphenol European Design Center	
X.X +/-0.30	DRAWN Stephane	05/Mar/2018	Transformer RJ45,with shell,Side entry	Scale N.A.	Sheet 1 of 2
X.XX +/-0.20	CHECKED Rob	05/Mar/2018			
X.XXX +/-0.10	APPROVED Rob	05/Mar/2018			
Angle +/-3°					
UNLESS OTHERWISE SPECIFIED		UNIT: mm	SIZE: A4	Drawing No	L MJ159882X110DT39
					REV. B

ELECTRICAL CHARACTERISTICS:

1. TURNS RATIO :

(P6-P5-P4): (J6-J3)
 (P3-P2-P1): (J2-J1)

:1CT:1CT ± 3%
 :1CT:1CT ± 3%

**2. INDUCTANCE: (P6-P4)
 (P3-P1)**

: 350uH MIN. @ 0.1V, 100KHz,8mA DC Bias
 : 350uH MIN. @ 0.1V, 100KHz,8mA DC Bias

**3. LEAKAGE INDUCTANCE: P6-P4 (WITH J6 AND J3 SHORT)
 P3-P1 (WITH J2 AND J1 SHORT)**

: 0.3 MAX. @ 1MHz
 : 0.3 MAX. @ 1MHz

**4. INTERWINDING CAPACITANCE: (P6,P5,P4)TO(J6,J3)
 (P3,P2,P1)TO(J2,J1)**

: 30pf MAX. @1MHz
 : 30pf MAX. @1MHz

5. DC RESISTANCE: (J6-J3)=(J2-J1)

: 1.2 ohms Max.

6. CROSSTALK

: -30dB MIN AT 1MHz TO 100MHz

7. INSERTION LOSS

: -1.0dB MAX AT 1MHz TO 100MHz

8 RETURN LOSS

: -20dB MIN AT 1MHz TO 30MHz

-15dB MIN AT 30MHz TO 60MHz

-10dB MIN AT 60MHz TO 80MHz

NOTES

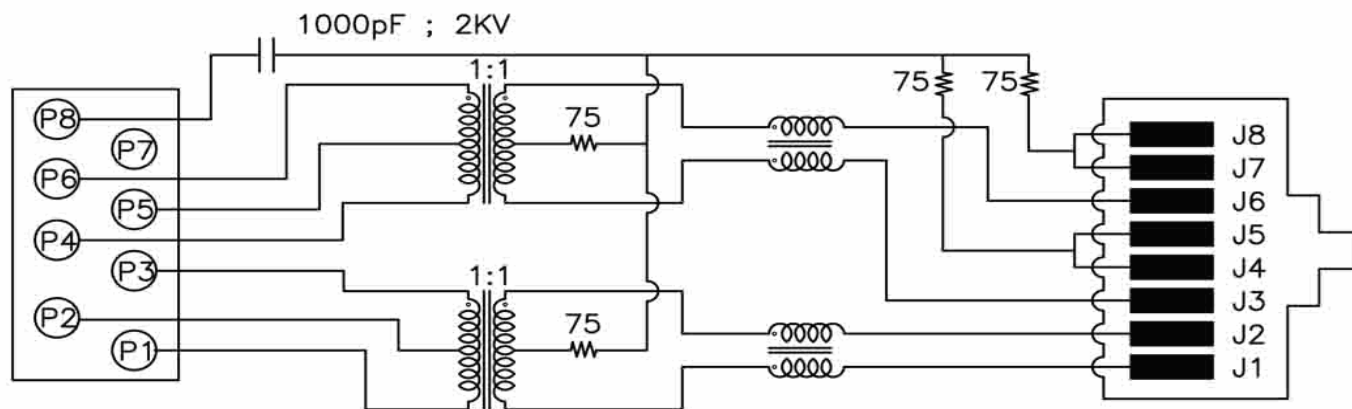
1.0 PINS WITHOUT ELECTRICAL CONNECTION ARE OMITTED

Ordering Information

LMJ159882X110DT39
 a

a: Contact plating

- 1: 15u"gold
- 2: 30u"gold
- 3: 50u"gold
- 4: 6u"gold



TOLERANCE (mm)	APPROVALS	DATE	TITLE	Amphenol Amphenol European Design Center	
X.X +/-0.30	DRAWN Stephane	05/Mar/2018	Transformer RJ45,with shell,Side entry	Scale N.A.	Sheet 2 of 2
X.XX +/-0.20	CHECKED Rob	05/Mar/2018			
X.XXX +/-0.10	APPROVED Rob	05/Mar/2018			
Angle +/-3°					
UNLESS OTHERWISE SPECIFIED		UNIT: mm	SIZE: A4	Drawing No	LMJ159882X110DT39
					REV. B