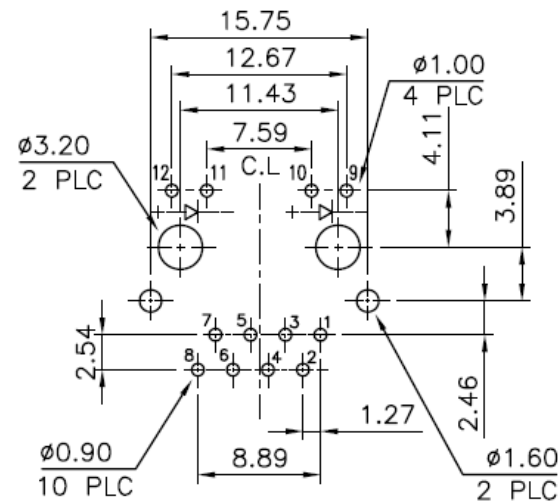
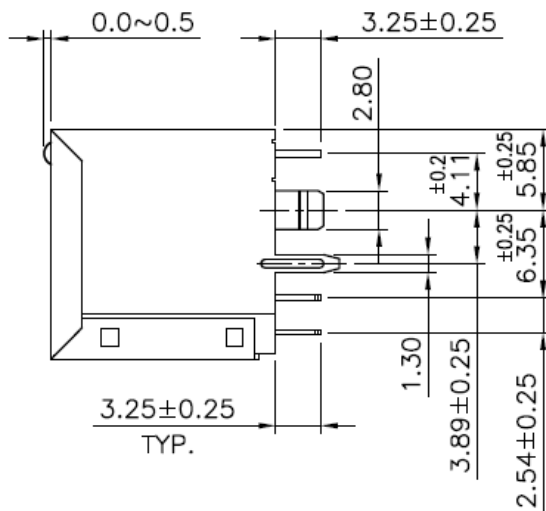
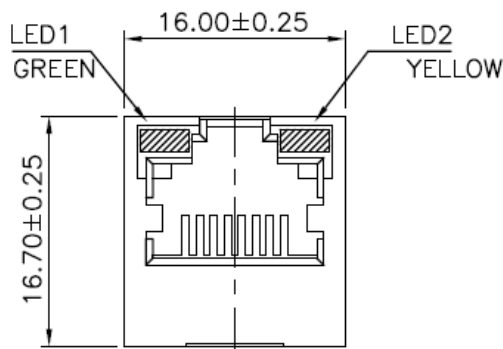


DETAIL X



**PCB Layout
Ref.**

MATERIAL:

- HOUSING—PBT POLYESTER UL94V-0 MIXED GLASS FIBER. STANDARD COLOR—BLACK
- CONTACTS—0.35mm THICK PHOS-BRONZE PLATED WITH HARD GOLD AND GOLD FLASH IN SOLDER AREA.
- SHIELD—0.25mm THICK COPPER ALLOY, PLATED WITH NICKEL.

CAVITY CONFIRMS TO FCC RULES AND REGULATIONS PART 68,SUBPART F.

OPERATING TEMPERATURE: -40°C TO 85°C



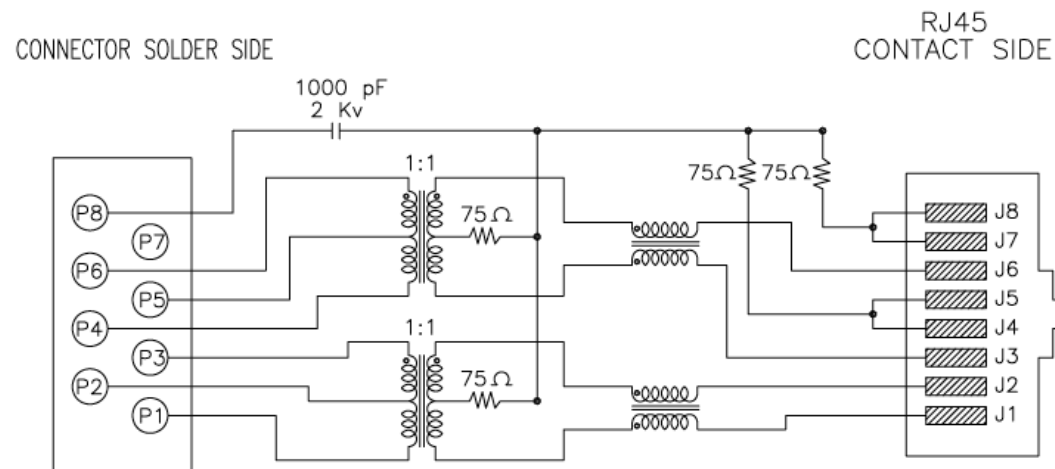
TOLERANCE (mm)	APPROVALS	DATE	TITLE	AMPHENOL Amphenol European Design Center	
X. ±0.3	DRAWN Stephane	21/Sep/2005	RJ45 Top Entry W/ Transformer W/LED	Scale N.A.	Sheet 1 of 2
XX ±0.2	CHECKED Rob	21/Sep/2005			
X.XX ±0.15	APPROVED Rob	21/Sep/2005			
UNLESS OTHERWISE SPECIFIED			UNIT: mm	SIZE: A4	DRAWING N° LMJ213 881X SOL1T1C
					REV. B

TRANSFORMER TYPE 1

ELECTRICAL CHARACTERISTICS

TEST NOTES: (25°±5°C)

1. TR: (100KHz, 0.1V)
 PINS:(P6-P5-P4):(J6,J3)=1CT:1CT±3%
 PINS:(P3-P2-P1):(J2,J1)=1CT:1CT±3%
2. INDUCTANCE: (@0.1V, 100KHz, 8mA, DC Bias)
 PINS: (P6-P4),(P3-P1)=350uH MINIMUM
3. DCR:
 PINS: (J6-J3)=(J2-J1)=1.2 OHMS MAXIMUM
4. HIPOT:
 PINS(J1,J2)TO(P1,P3)=1500VAC FOR 60 SECONDS
 PINS(J3,J6)TO(P4,P6)=1500VAC FOR 60 SECONDS
5. LEAKAGE INDUCTANCE:
 P6-P4 (WITH J6 AND J3 SPORT)=0.3 MAXIMUM, @1MHz
 P3-P1 (WITH J2 AND J1 SHOR)=0.3 MAXIMUM, @1MHz
6. INSERTION LOSS:
 -1.1dB MAXIMUM AT 1MHz TO 100MHz
7. RETURN LOSS:
 -18dB MINIMUM AT 1MHz TO 30MHz
 -12dB MINIMUM AT 60MHz TO 80MHz
8. CROSS TALK:
 -30dB MINIMUM AT 1MHz TO 100MHz
9. COMMON TO COMMON MODE ATTENUATION:
 -35dB MINIMUM AT 30MHz TO 100MHz
10. RISE TIME: RS=100 OHMS AND RL=100 OHMS
 OUTPUT VOLTAGE=1 V PEAK=3.0 nS MAXIMUM
 PULSE WIDTH=112 nS=3.0 nS MAXIMUM
11. INTERWINDING CAPACITANCE:
 (P6,P5,P4)TO(J6,J3)=30pF MAXIMUM, @1MHz
 (P3,P2,P1)TO(J2,J1)=30pF MAXIMUM, @1MHz



NOTES: 1.0 PINS WITHOUT ELECTRICAL CONNECTION ARE OMITTED.

CONNECTOR SCHEMATIC



TOLERANCE (mm)	APPROVALS	DATE	TITLE	AMPHENOL
X. ±0.3	DRAWN Stephane	21/Sep/2005	RJ45 Top Entry W/ Transformer W/LED	Amphenol European Design Center
XX ±0.2	CHECKED Rob	21/Sep/2005		
X.XX ±0.15	APPROVED Rob	21/Sep/2005		Scale N.A. Sheet 2 of 2
UNLESS OTHERWISE SPECIFIED	UNIT: mm		SIZE: A4 DRAWING N°	LMJ213 881X SOL1T1C
				REV. B