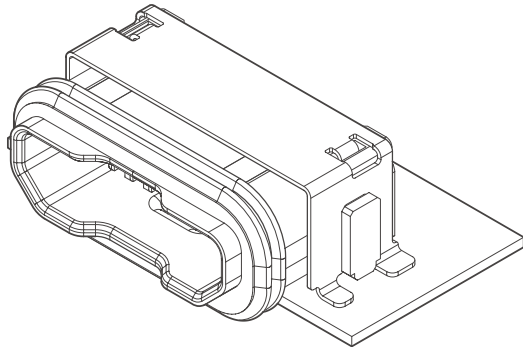




UB CONNECTOR Micro USB



USB (Universal Serial bus) Conforming Connector (Waterproof)



This connector is an interface connector for cellular phone and mobile equipment conforming to Micro USB (Universal Serial Bus) Standard that is grade 7 ingress protection of JIS C 0920 (IPX7 of IEC 60529).

***Grade 7 ingress protection of JIS C 0920 (IPX7 of IEC 60529) : Leave it to depths of 1 m for 30 minutes.**

- **Waterproof performance**
- **10,000 cycles of mating/unmating is provided.**
- **Strong structure which welded to caulking part by laser welding**
- **SMT configuration**

Specifications

- Current rating
 - : Only signal line
 - Signal line (No.2 to 4-circuit): 1.0 A AC, DC/Line
 - : Power supply line
 - Power supply line (No.1, 5-circuit): 1.8 A AC, DC/Line
 - Signal line (No.2 to 4-circuit): 0.5 A AC, DC/Line
- Voltage rating: 30 V AC, DC
- Temperature range: -30°C to +85°C
(including temperature rise in applying electrical current)
- Contact resistance: Initial value/ 30 mΩ max.
After environmental tests/ 50 mΩ max.
- Insulation resistance: 1,000 MΩ min.
- Withstanding voltage: 100 VAC/minute

* Refer to "General Instruction and Notice when using Terminals and Connectors" at the end of this catalog.

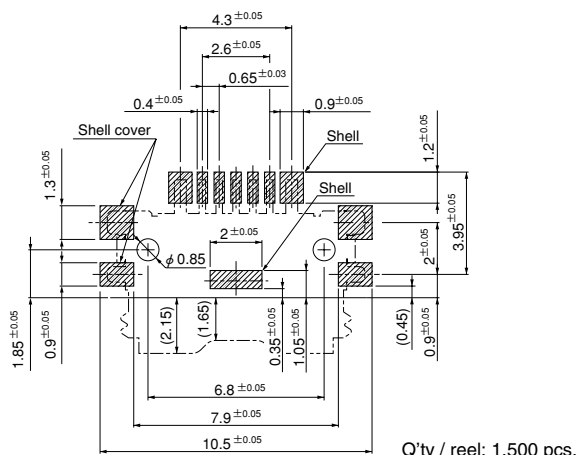
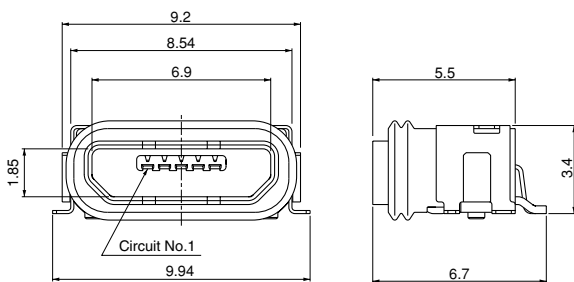
* Contact JST for details.

* Compliant with RoHS.

Receptacle

Standard B Type

TID No.: 60002098



| Model No. | Material and Finish |
|----------------------|---|
| UB-MC5BR3-SDWP604-4S | Contact: Copper alloy, nickel-undercoated, gold-plated |
| | Housing: Heat resisting resin, UL94V-0, black |
| | Shell: SUS, nickel-undercoated, tin-plated |
| | Shell cover: Copper alloy, nickel-undercoated, tin-plated |
| | Cap: Heat resisting resin, UL94V-0, black |
| | Outer seal: Silicon rubber, black |
| | Sealant: Cured resin |

RoHS compliance