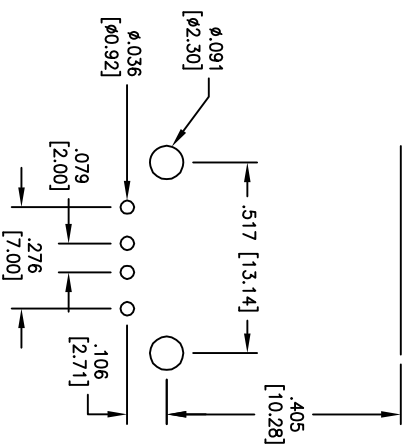
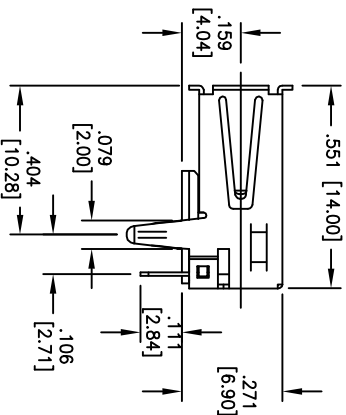
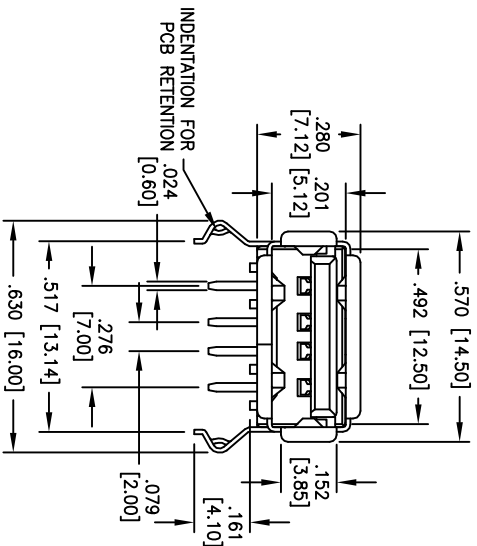


APPROVED: \_\_\_\_\_  
 DATE: \_\_\_\_\_ TITLE: \_\_\_\_\_

Rev	AWO #	Description	Date	Appr
-		RELEASED	12/3/04	
A		RE-DESIGNED SHELL AND INSULATOR	1/06/06	
B		ADDED DIM.	01/23/13	



RECOMMENDED  
PCB LAYOUT

**SPECIFICATIONS:**

- Material: Insulator: PBT, Glass filled, rated UL 94V-0
- Insulator color: Black
- Contacts: Phosphor Bronze
- Shell: Steel, nickel plated
- Plating: Gold flash over Nickel underplate on contact area, Tin over Copper underplate on PCB tails
- Electrical: Operating voltage: 30 VAC max.
- Current rating: 1.5 Amp max, @250V AC
- Contact resistance: 30 mohms max.
- Insulation resistance: 1000 Mohms min.
- Dielectric withstanding voltage: 500 VAC for 1 minute
- Temperature Rating: Operating temperature: -20°C to +60°C
- Environmental: Lead free, RoHS compliant.



UNLESS OTHERWISE SPECIFIED ALL DIMENSIONS ARE INCHES [MM]	
TOLERANCES: EXCEPT AS NOTED	
INCHES	
.X ± .10	ØXX ± .10
.XX ± .020	ØXXX ± .015
.XXX ± .015	ØXXXX ± .010
APPROVALS	DATE
DRAWN	SS
CHECKED	
APPROVED	

**ADAM TECH**  
 909 Railway Avenue, Union, NJ 07083  
 Phone: 908-687-5000 Fax: 908-687-5710

TITLE	UNIVERSAL SERIAL BUS
TITLE	SINGLE PORT, RIGHT ANGLE, PCB
SIZE	PART NO.
X	USB-A-S-RA
REF:	S00006C
SCALE:	NTS
SHEET	1 OF 1
REV.	B