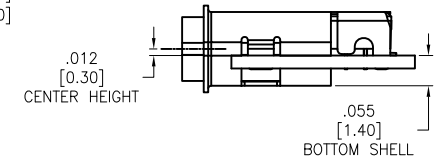
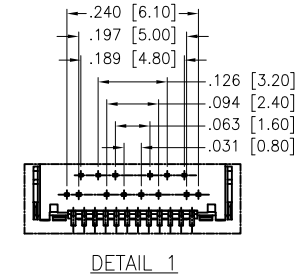
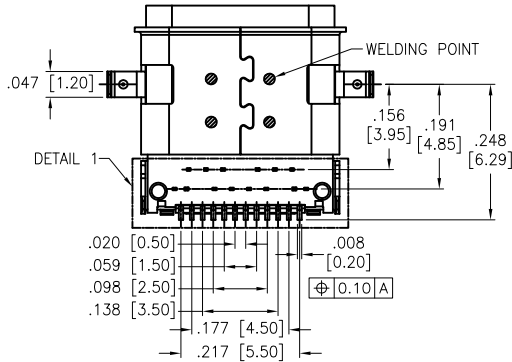
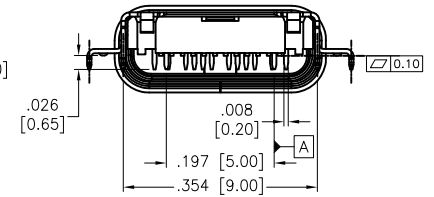
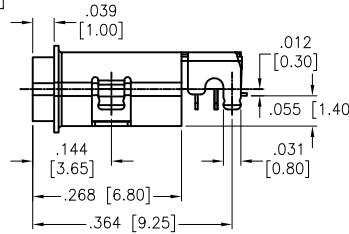
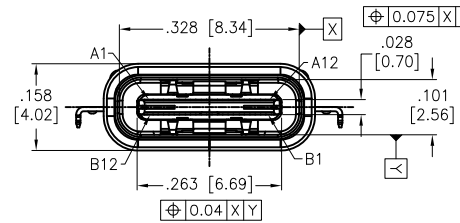
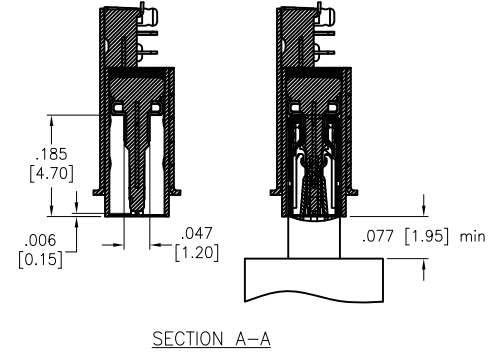
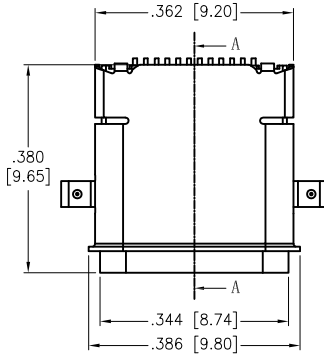


APPROVED: _____
 DATE: _____ TITLE: _____

Rev	AWO #	Description	Date	Appr
-		RELEASED	9/29/17	
A		ADDED DIM.	4/13/18	AY/CK

Pin	Signal Name	Mating Sequence	Pin	Signal Name	Mating Sequence
A1	GND	First	B12	GND	First
A2	SSTXp1	Second	B11	SSRXp1	Second
A3	SSTXn1	Second	B10	SSRXn1	Second
A4	Vbus	First	B9	Vbus	First
A5	CC1	Second	B8	SBU2	Second
A6	Dp1	Second	B7	Dn2	Second
A7	Dn1	Second	B6	Dp2	Second
A8	SBU1	Second	B5	CC2	Second
A9	Vbus	First	B4	Vbus	First
A10	SSRXn2	Second	B3	SSTXn2	Second
A11	SSRXp2	Second	B2	SSTXp2	Second
A12	GND	First	B1	GND	First
SHELL	GND		SHELL	GND	



SPECIFICATIONS:

Material:
 Insulator: Hi-temp thermoplastic, rated UL 94V-0
 Insulator color: Black
 Contacts: Cu-Ni-Si Alloy
 MID plate: Stainless Steel
 GND plate: Stainless Steel, Nickel plated
 Shell: Stainless Steel, Nickel plated
 Glue: EPOXY, Color: Black
Plating:
 Gold flash over Nickel underplate on contact area
Electrical:

Current rating: 5A (Vbus 1.5A per PIN)
 5A (GND 1.25A per PIN)
 0.25A/PIN (Other)

Low level Contact resistance: 40 mohms max. (Initial)
 50 mohms max. (After)

Insulation resistance: 100 Mohms min. @ 250 VDC
 Dielectric withstanding: 100 VAC min.
 Temperature Rating:
 Operating temperature: -40°C to +80°C
Environmental:
 Waterproof Rating: IPX7
 Lead free, RoHS compliant.

PACKAGED ON TAPE & REEL

UNLESS OTHERWISE SPECIFIED ALL DIMENSIONS ARE INCHES [MM] TOLERANCES: EXCEPT AS NOTED		
INCHES HOLES		
.X ± .10	Ø.X ± .10	
.XX ± .020	Ø.XX ± .015	
.XXX ± .015	Ø.XXX ± .010	
APPROVALS		DATE
DRAWN	HR	9/29/17
CHECKED	CK	9/29/17
APPROVED		

ADAM TECH 909 Rahway Avenue,
 Union, NJ 07083
 Phone: 908-687-5000
 Fax: 908-687-5710

TITLE UNIVERSAL SERIAL BUS, TYPE C, FEMALE, SMT TYPE, EDGE HANG		
SIZE X	PART NO. USB-C31-S-RA-EH-WP-BK-CS3-HF-T/R	REV. A
REF: S00097C	SCALE: NTS	SHEET 1 OF 2

