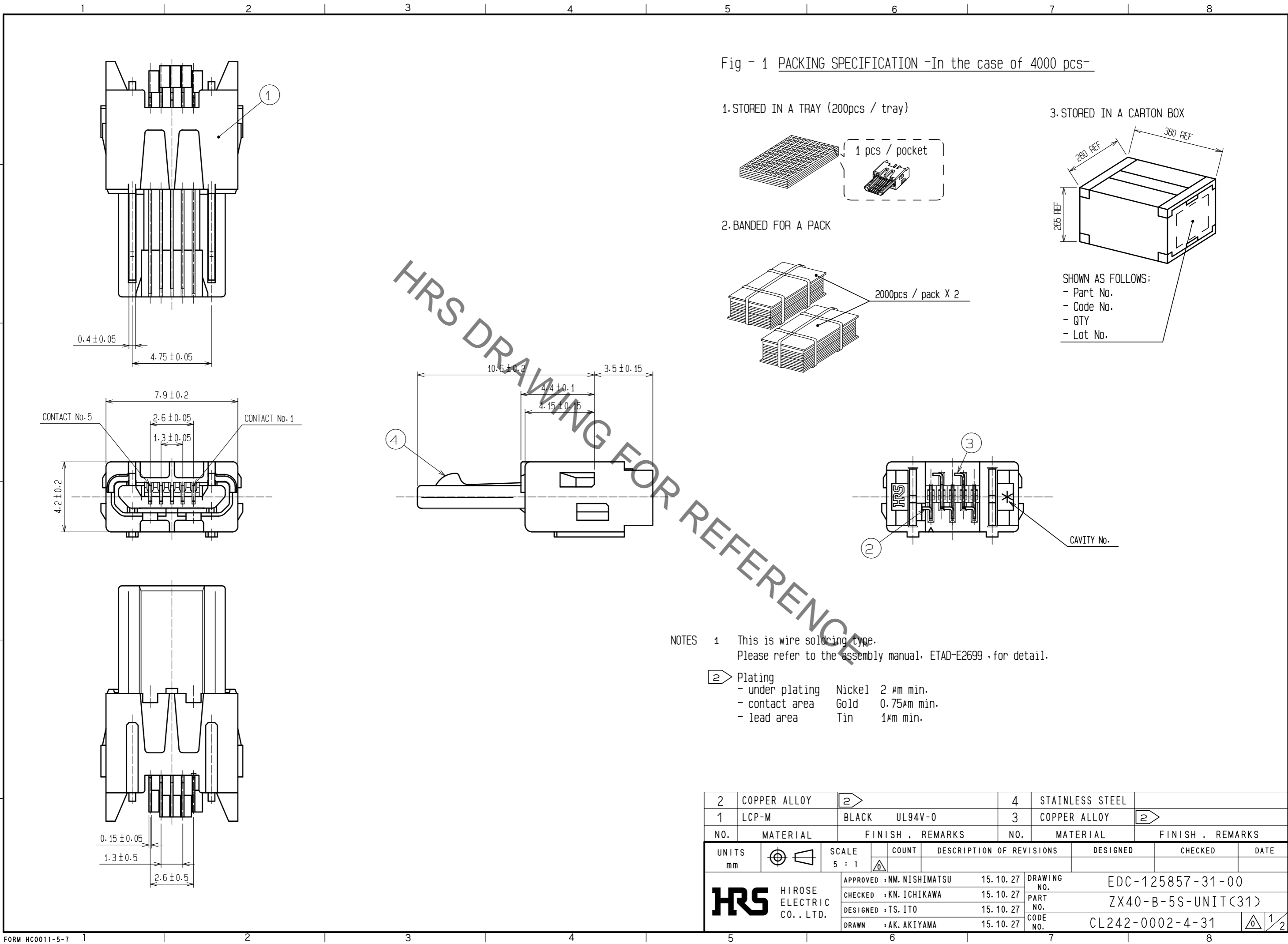


Mar.1.2021 Copyright 2021 HIROSE ELECTRIC CO., LTD. All Rights Reserved.  
In case of consideration for using Automotive equipment / device which demand high reliability, kindly contact our sales window correspondents.



HRS DRAWING FOR REFERENCE

Mar.1.2021 Copyright 2021 HIROSE ELECTRIC CO., LTD. All Rights Reserved.  
In case of consideration for using Automotive equipment / device which demand high reliability, kindly contact our sales window correspondents.

Fig - 2 SHIELDING-PLATE ASSEMBLY

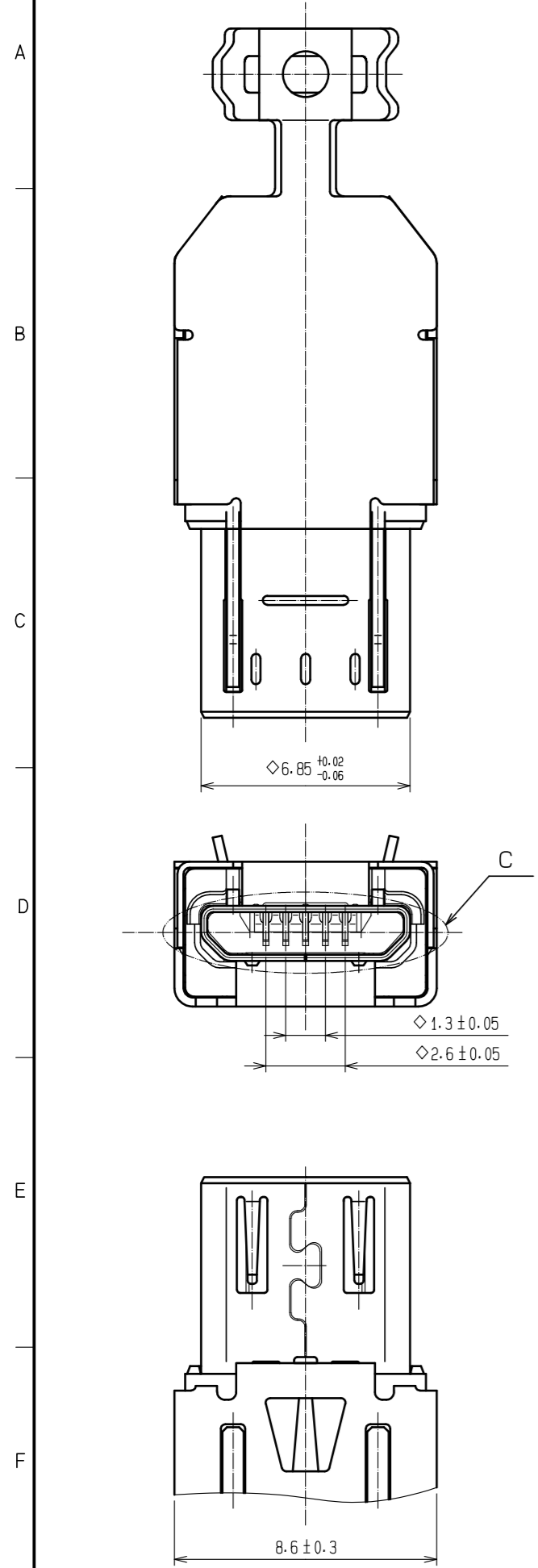
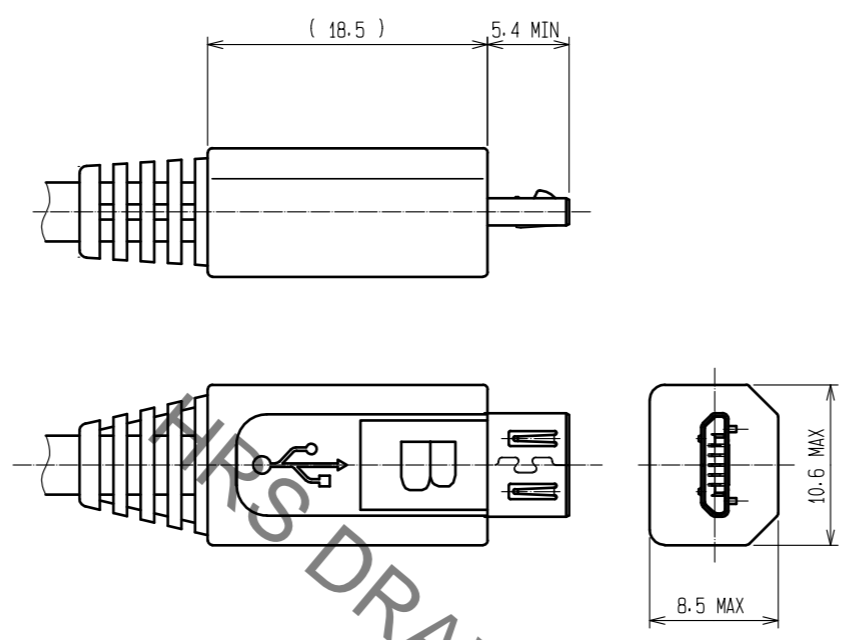


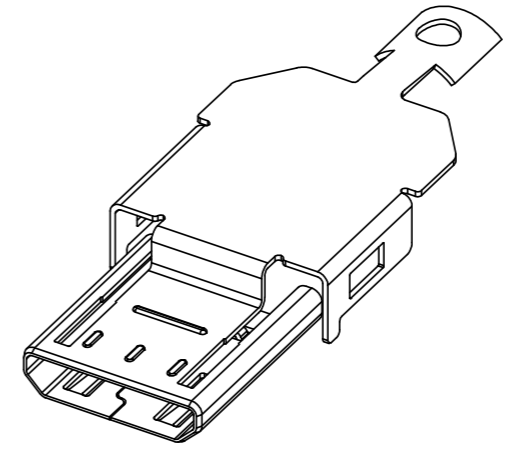
Fig - 3 OVER-MOLDING

(Refer to USB specification)



ZX40-B-SLDA

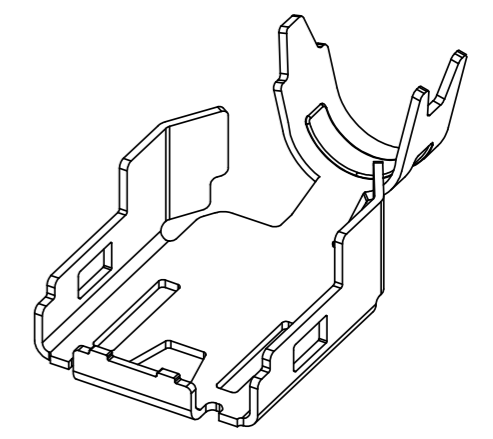
Code No. CL242-0003-7



Note:  
- Sold separately  
- Delivered by the reel

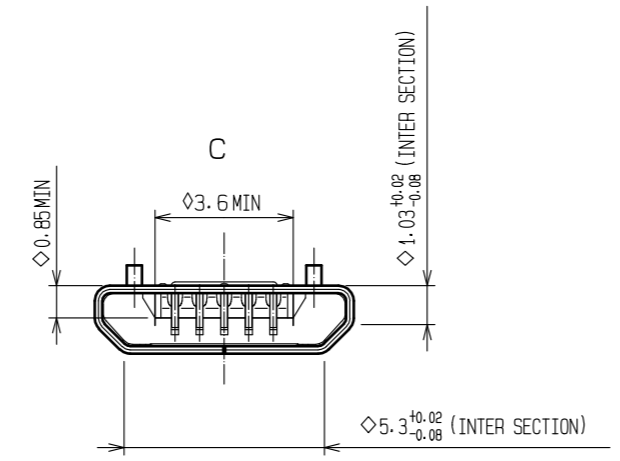
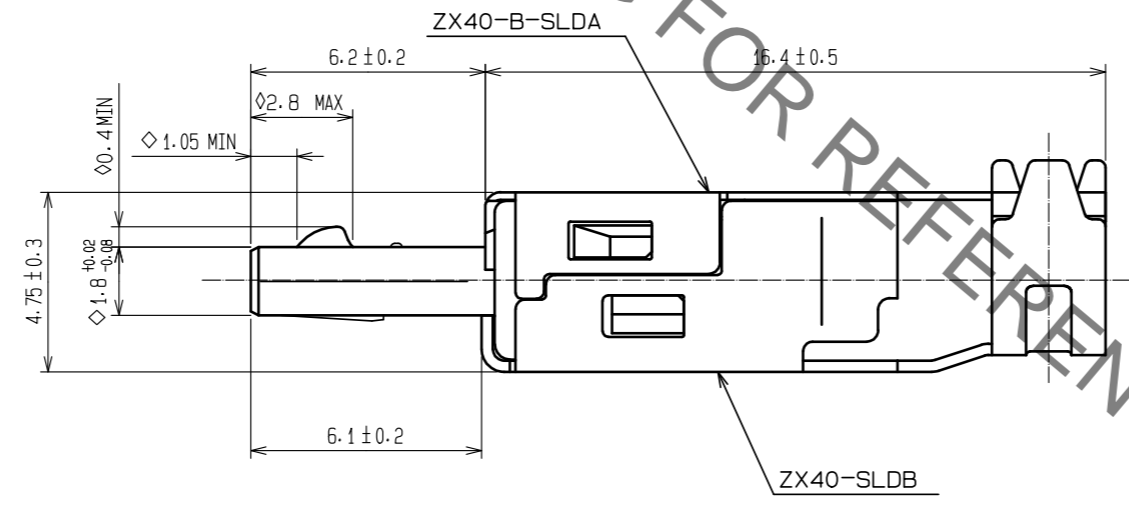
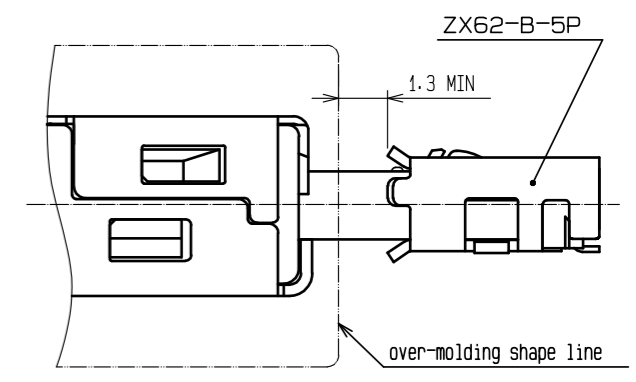
ZX40-SLDB

Code No. CL242-0004-0



Note:  
- Sold separately  
- Delivered by the reel  
- Applied to  $\phi 3.8 \text{ mm}$  cable

Fig - 4 MATED CONDITION



NOTES  
 3 Shielding-plates, ZX40-B-SLDA and ZX40-SLDB, are used for assembly.  
 4 \* $\diamond$ \* symbol added to each dimension means critical dimension on USB specification. Please check them after over-molding.

<b>HRS</b>	DRAWING NO.	EDC-125857-31-00	2/2
	PART NO.	ZX40-B-5S-UNIT(31)	
	CODE NO.	CL242-0002-4-31	