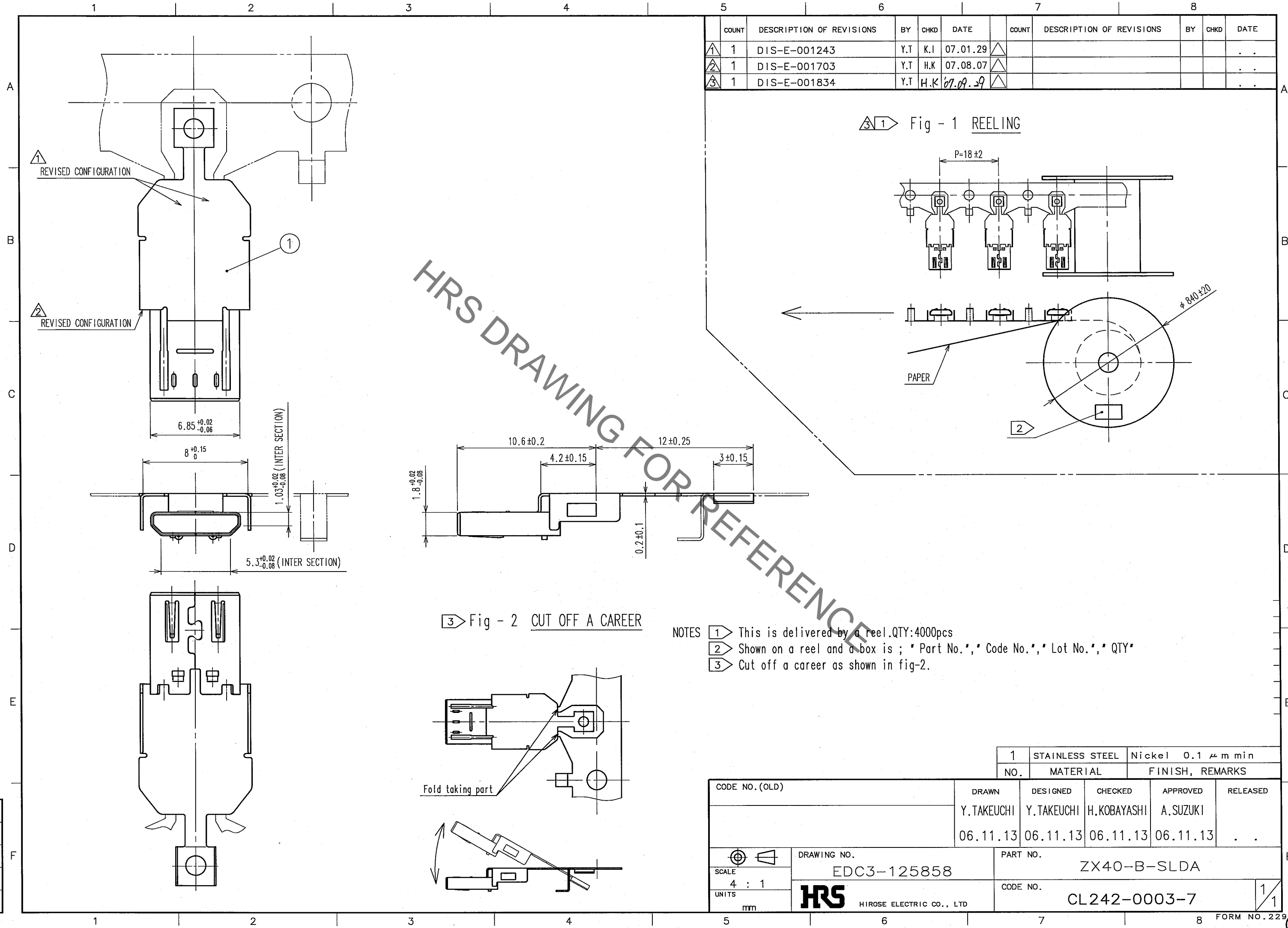
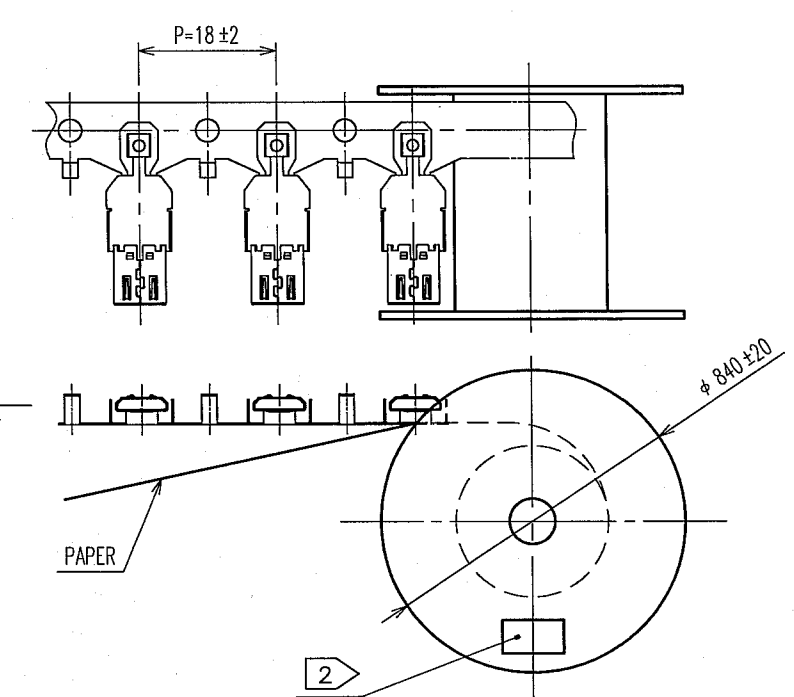


Mar.1.2021 Copyright 2021 HIROSE ELECTRIC CO., LTD. All Rights Reserved.
 In case of consideration for using Automotive equipment / device which demand high reliability, kindly contact our sales window correspondents.



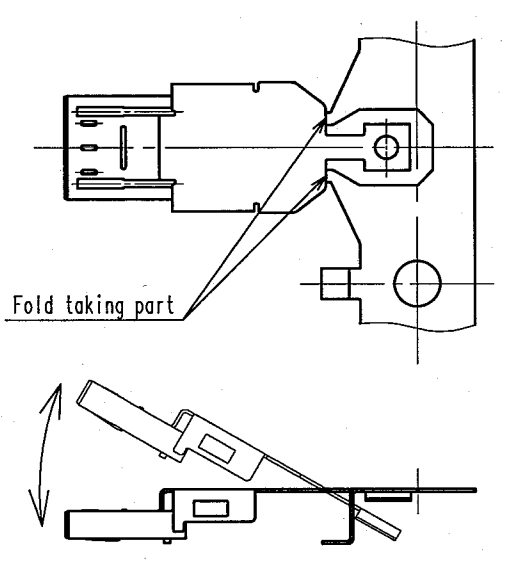
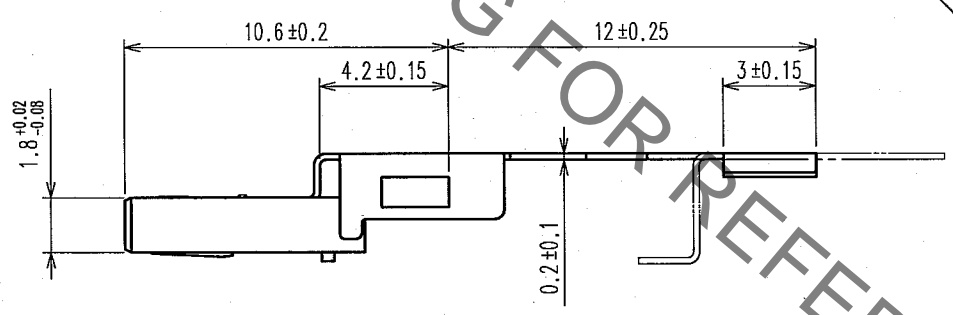
COUNT	DESCRIPTION OF REVISIONS	BY	CHKD	DATE	COUNT	DESCRIPTION OF REVISIONS	BY	CHKD	DATE
1	DIS-E-001243	Y.T	K.I	07.01.29					
1	DIS-E-001703	Y.T	H.K	07.08.07					
1	DIS-E-001834	Y.T	H.K	07.09.29					

Fig - 1 REELING



HRS DRAWING FOR REFERENCE

Fig - 2 CUT OFF A CAREER



- NOTES
- 1 This is delivered by a reel.QTY:4000pcs
 - 2 Shown on a reel and a box is ; " Part No.," " Code No.," " Lot No.," " QTY"
 - 3 Cut off a career as shown in fig-2.

1	STAINLESS STEEL	Nickel 0.1 μ m min
NO.	MATERIAL	FINISH, REMARKS

CODE NO. (OLD)	DRAWN	DESIGNED	CHECKED	APPROVED	RELEASED
	Y.TAKEUCHI	Y.TAKEUCHI	H.KOBAYASHI	A.SUZUKI	
	06.11.13	06.11.13	06.11.13	06.11.13	
SCALE 4 : 1	DRAWING NO. EDC3-125858		PART NO. ZX40-B-SLDA		
UNITS mm	HRS HIROSE ELECTRIC CO., LTD		CODE NO. CL242-0003-7		1/1