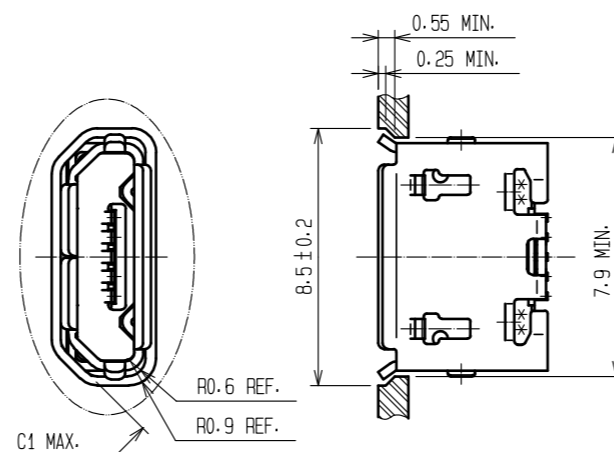
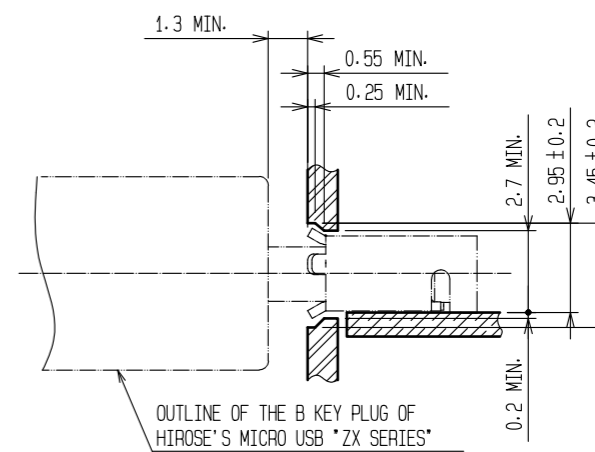


Feb.1.2021 Copyright 2021 HIROSE ELECTRIC CO., LTD. All Rights Reserved.
In case of consideration for using Automotive equipment / device which demand high reliability, kindly contact our sales window correspondents.

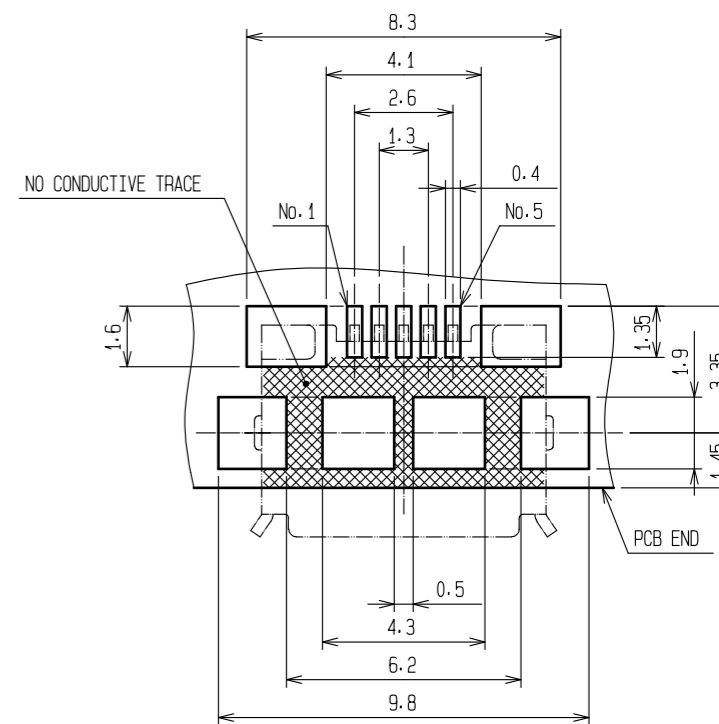
RECOMMENDED PANEL CUTOUT(4:1)



MATED WITH CORRESPONDING PLUG(4:1)



PCB LAYOUT



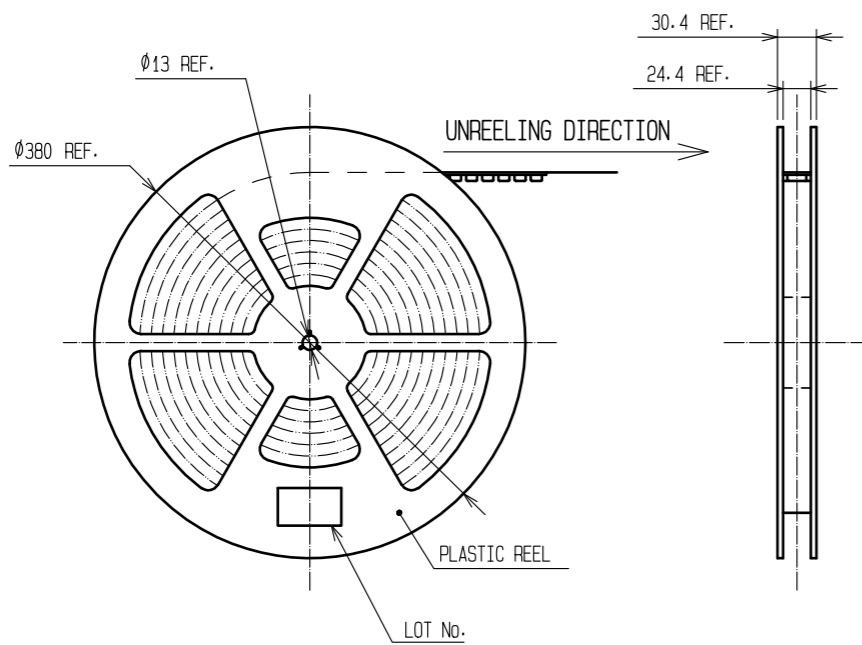
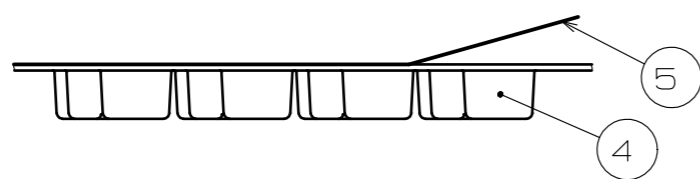
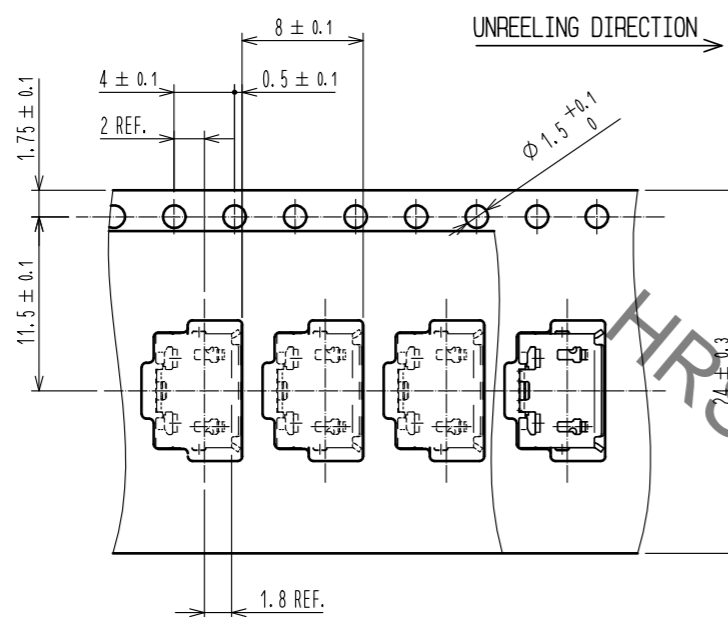
GENERAL TOLERANCE IS ±0.05mm.

- NOTES
- 1 CO-PLANARITY IS WITHIN 0.08 mm.
 - 2 PLATING
CONTACT AREA : GOLD 0.75μm MIN.
LEAD AREA : GOLD 0.05μm MIN.
UNDER PLATING: NICKEL 2μm MIN.
 - 3 PER REEL : 3500 pcs.
 4. INTERFACE DIMENSIONS CONFORM TO USB2.0 SPECIFICATION.
 5. AS FOR PART No.3, THE PERFORMANCE REMAINS GOOD EVEN IF THERE ARE RUBBING WOUNDS BY THE ASSEMBLY PROCESS. AND, THE PERFORMANCE REMAINS GOOD THOUGH THERE MIGHT BE A DIFFERENCE IN THE PLATING LUSTER BETWEEN EACH PLATING SUBCONTRACT COMPANIES.
 6. AS FOR PART No.1, A PART OF SHAPE MAY BECOME DIFFERENT DEPENDING ON THE PRODUCTION METHOD.
 - 7 CODE CONFIGURATION IS SHOWN IN FIG.1.

2	COPPER ALLOY	2	5	PE		
1	LCP	BLACK, UL94V-0	4	PS		
			3	STAINLESS STEEL	OVER PLATING : TIN 1 μm min. LUBRICANT	
NO.	MATERIAL	FINISH . REMARKS	NO.	MATERIAL	FINISH . REMARKS	
UNITS	⊙	SCALE	COUNT	DESIGNED	CHECKED	DATE
mm		5 : 1	△			
APPROVED : NM. NISHIMATSU		15.10.27	DRAWING NO.		EDC-126332-33-00	
CHECKED : KN. ICHIKAWA		15.10.27	PART NO.		ZX62-B-5PA(33)	
DESIGNED : TS. ITO		15.10.27	CODE NO.		CL242-0033-8-33	
DRAWN : AK. AKIYAMA		15.10.27			1/2	

Feb.1.2021 Copyright 2021 HIROSE ELECTRIC CO., LTD. All Rights Reserved.
 In case of consideration for using Automotive equipment / device which demand high reliability, kindly contact our sales window correspondents.

3 DRAWING FOR PACKING



7 FIG.1 LOT CODE CONFIGURATION FOR 4 DIGITS

YEAR		MONTH		DAY						LINE No.	
YEAR	CODE	MONTH	CODE	DAY	CODE	DAY	CODE	DAY	CODE	LINE No.	CODE
2007	7	Jan.	A	1	1	11	B	21	M	1	A
2008	8	Feb.	B	2	2	12	C	22	N	2	B
2009	9	Mar.	C	3	3	13	D	23	P	3	C
2010	0	Apr.	D	4	4	14	E	24	Q	4	D
2011	1	May.	E	5	5	15	F	25	R	5	E
		Jun.	F	6	6	16	G	26	S	6	F
		Jul.	G	7	7	17	H	27	T	7	G
		Aug.	H	8	8	18	J	28	U	8	H
		Sep.	I	9	9	19	K	29	V	9	I
		Oct.	J	10	A	20	L	30	W	10	J
		Nov.	K					31	X	11	K
		Dec.	L								

HRS DRAWING FOR REFERENCE

HRS	DRAWING NO.	EDC-126332-33-00
	PART NO.	ZX62-B-5PA(33)
	CODE NO.	CL242-0033-8-33

2/2