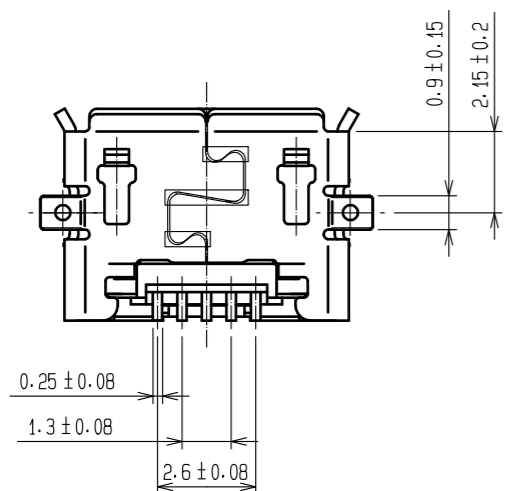
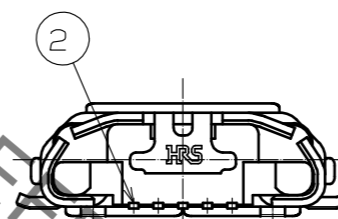
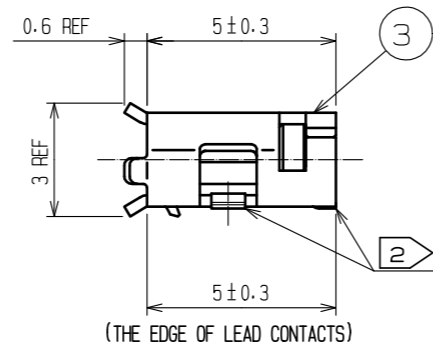
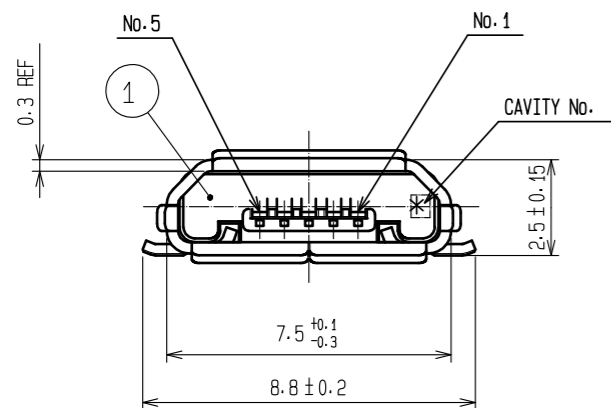
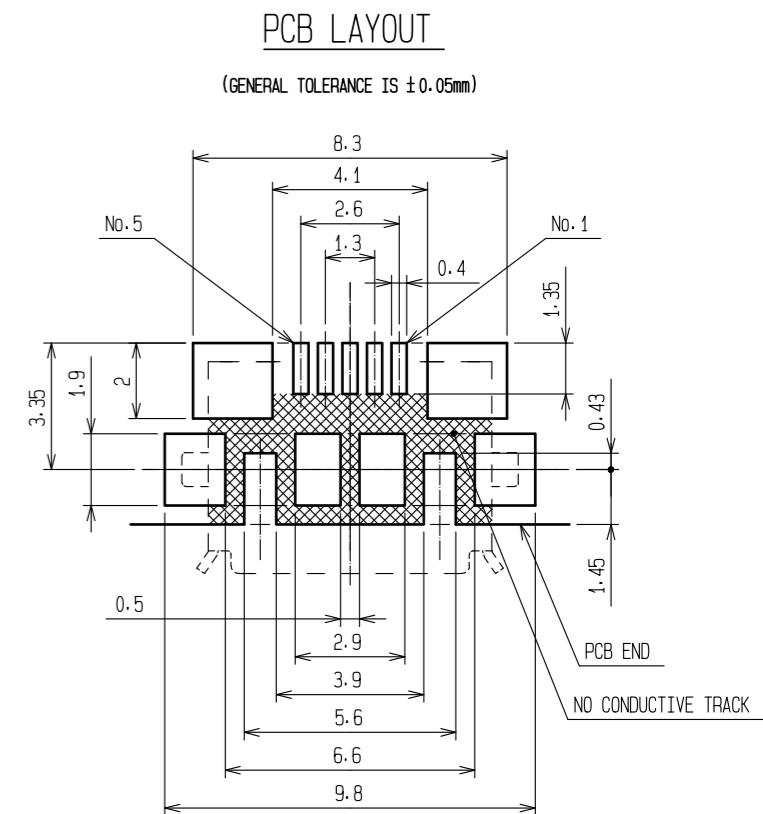
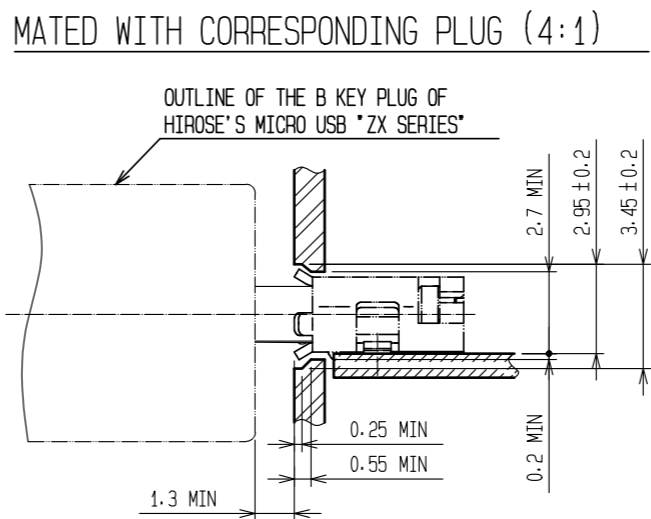
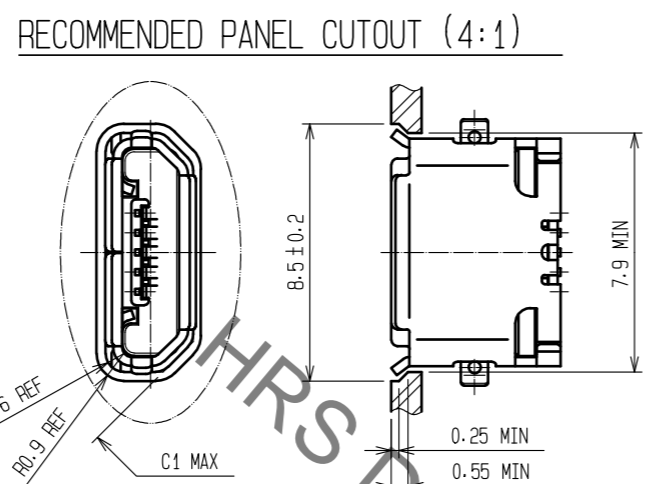
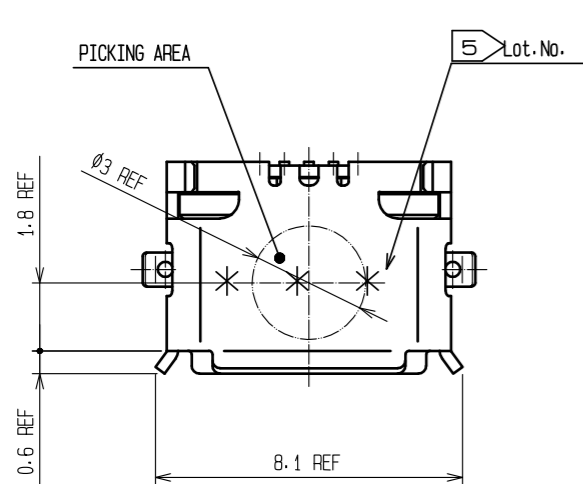


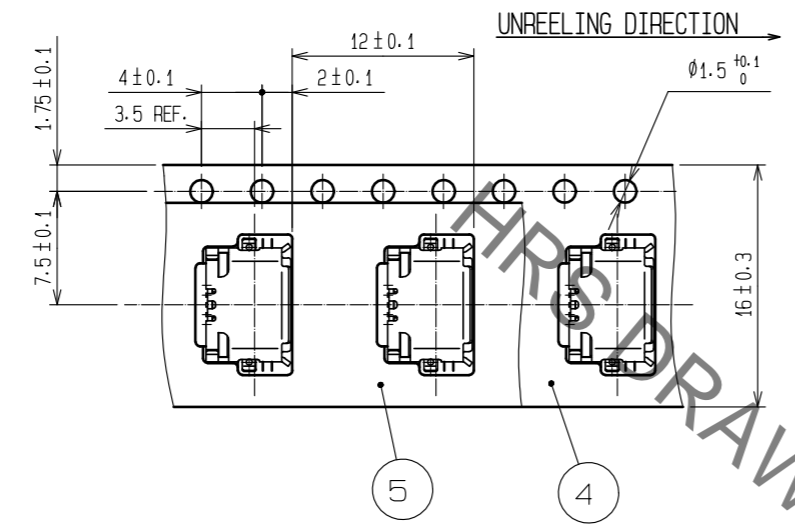
Feb.1.2021 Copyright 2021 HIROSE ELECTRIC CO., LTD. All Rights Reserved.
 In case of consideration for using Automotive equipment / device which demand high reliability, kindly contact our sales window correspondents.



- NOTES
- 1 INTERFACE DIMENSIONS CONFORM TO USB2.0 SPECIFICATION.
 - 2 CO-PLANARITY IS WITHIN 0.08 mm.
 - 3 PLATING
 CONTACT AREA : GOLD 0.75 μ m MIN.
 LEAD AREA : GOLD 0.05 μ m MIN.
 UNDER PLATING : NICKEL 2 μ m MIN.
 - 4 PER REEL : 2000 PCS.
 - 5 CODE CONFIGURATION IS SHOWN IN FIG.1

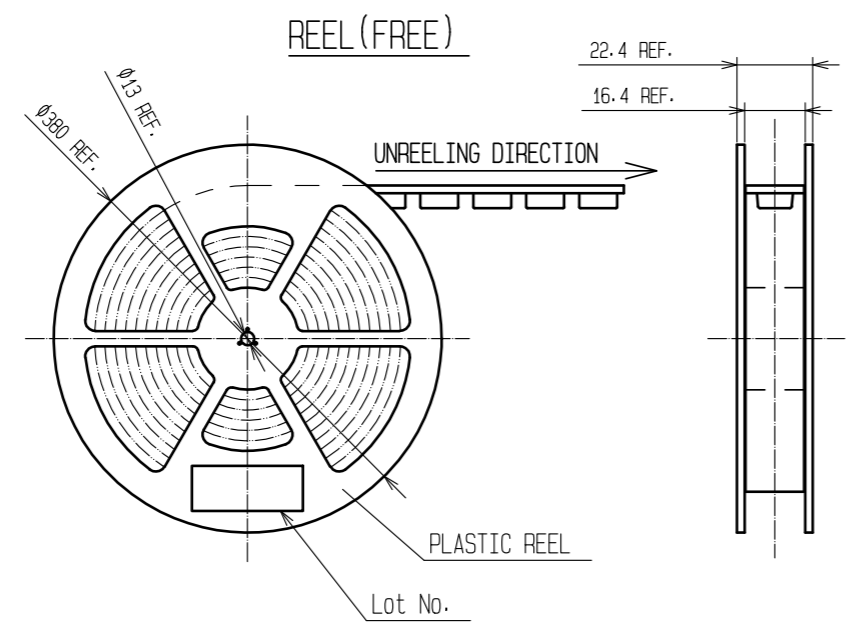
2	COPPER ALLOY	3	5	PE	
1	LCP	BLACK • UL94V-0	4	PS	
			3	STAINLESS STEEL	TIN PLATING 1 μ m MIN. LUBRICANT
NO.	MATERIAL	FINISH . REMARKS	NO.	MATERIAL	FINISH . REMARKS
UNITS mm		SCALE 5 : 1	COUNT	DESCRIPTION OF REVISIONS	
				DESIGNED	CHECKED
APPROVED : NM. NISHIMATSU		15.10.27	DRAWING NO. EDC-126271-30-00		
CHECKED : KN. ICHIKAWA		15.10.27	PART NO. ZX62R-B-5P(30)		
DESIGNED : TS. ITO		15.10.27	CODE NO. CL242-0028-8-30		
DRAWN : AK. AKIYAMA		15.10.27			
HRS HIROSE ELECTRIC CO., LTD.					

4 DRAWING FOR PACKING (2:1)



5 Fig.1 LOT CODE CONFIGURATION FOR 3 DIGITS

YEAR		MONTH		DAY					
YEAR	CODE	MONTH	CODE	DAY	CODE	DAY	CODE	DAY	CODE
2007	7	Jan.	A	1	1	11	B	21	M
2008	8	Feb.	B	2	2	12	C	22	N
2009	9	Mar.	C	3	3	13	D	23	P
2010	0	Apr.	D	4	4	14	E	24	Q
2011	1	May.	E	5	5	15	F	25	R
		Jun.	F	6	6	16	G	26	S
		Ju1.	G	7	7	17	H	27	T
		Aug.	H	8	8	18	J	28	U
		Sep.	I	9	9	19	K	29	V
		Oct.	J	10	A	20	L	30	W
		Nov.	K					31	X
		Dec.	L						



HRS	DRAWING NO.	EDC-126271-30-00	
	PART NO.	ZX62R-B-5P(30)	
	CODE NO.	CL242-0028-8-30	2/2