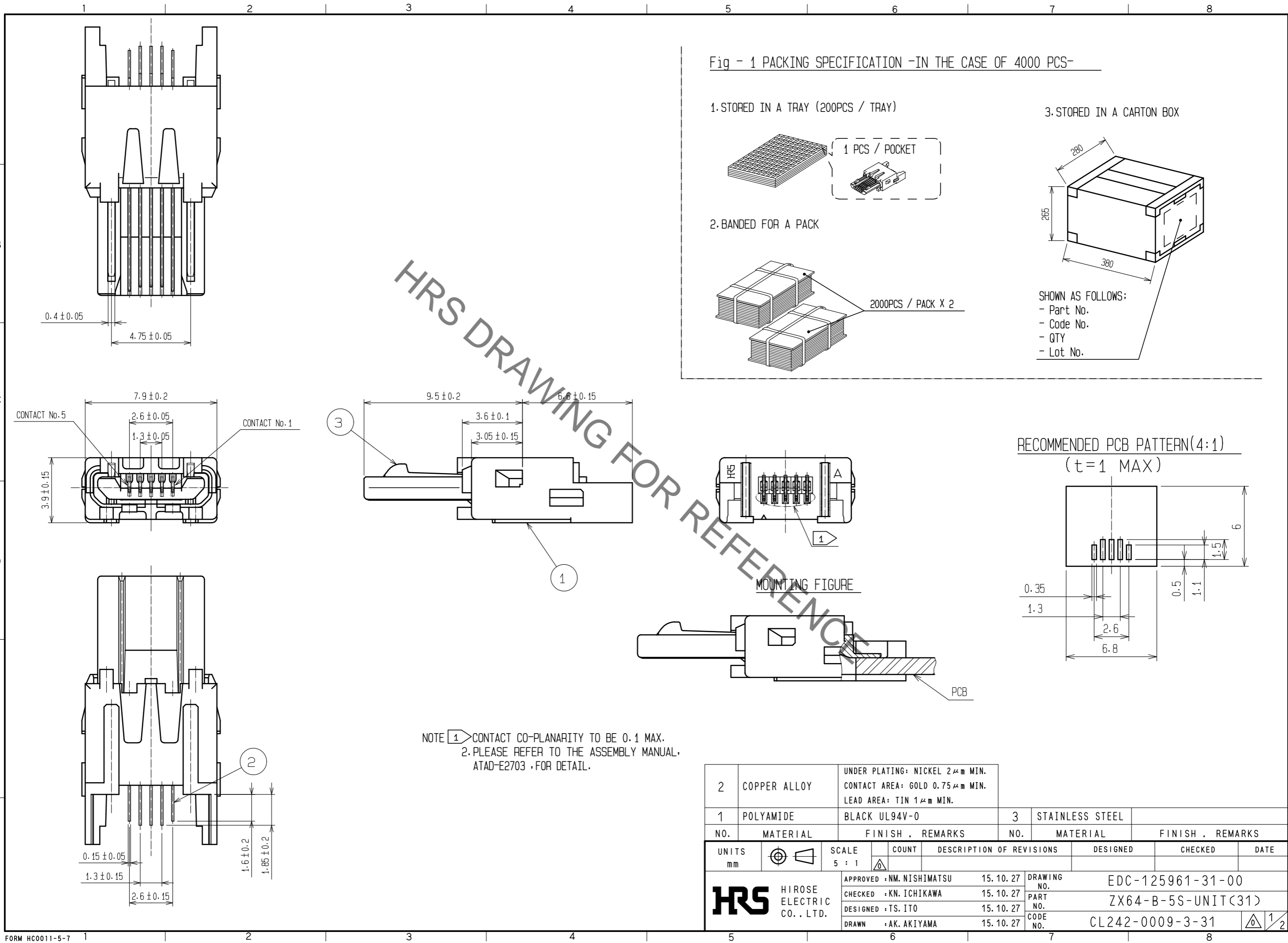


Mar.1.2020 Copyright 2020 HIROSE ELECTRIC CO., LTD. All Rights Reserved.  
In case of consideration for using Automotive equipment / device which demand high reliability, kindly contact our sales window correspondents.



2	COPPER ALLOY	UNDER PLATING: NICKEL 2μm MIN. CONTACT AREA: GOLD 0.75μm MIN. LEAD AREA: TIN 1μm MIN.	3	STAINLESS STEEL	
1	POLYAMIDE	BLACK UL94V-0			
NO.	MATERIAL	FINISH . REMARKS	NO.	MATERIAL	FINISH . REMARKS
UNITS		SCALE	COUNT	DESCRIPTION OF REVISIONS	
mm		5 : 1		DESIGNED	CHECKED
<b>HRS</b> HIROSE ELECTRIC CO., LTD.		APPROVED : NM. NISHIMATSU 15.10.27	DRAWING NO. EDC-125961-31-00		
		CHECKED : KN. ICHIKAWA 15.10.27	PART NO. ZX64-B-5S-UNIT(31)		
		DESIGNED : TS. ITO 15.10.27	CODE NO. CL242-0009-3-31		
		DRAWN : AK. AKIYAMA 15.10.27			

Mar.1.2020 Copyright 2020 HIROSE ELECTRIC CO., LTD. All Rights Reserved.  
In case of consideration for using Automotive equipment / device which demand high reliability, kindly contact our sales window correspondents.

Fig - 2 SHIELDING-PLATE ASSEMBLY

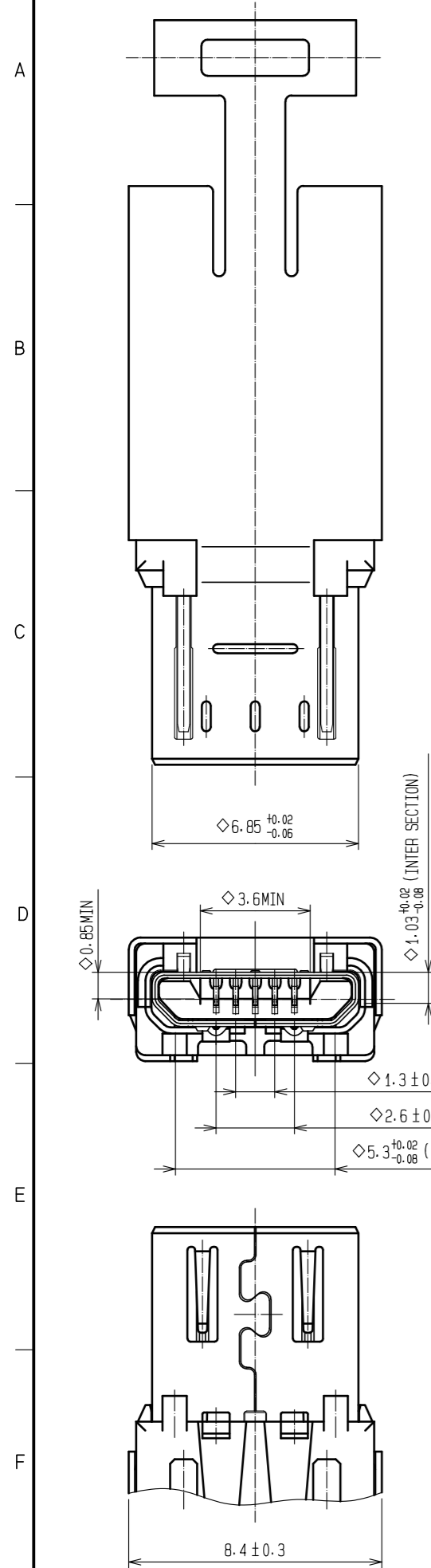
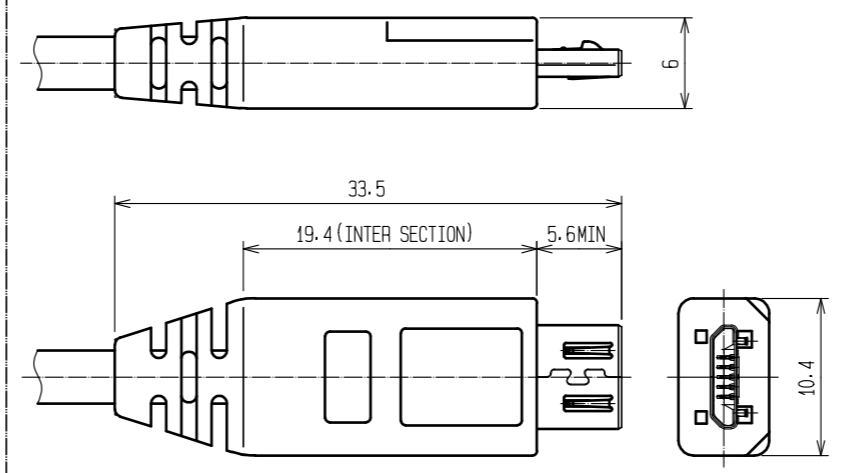
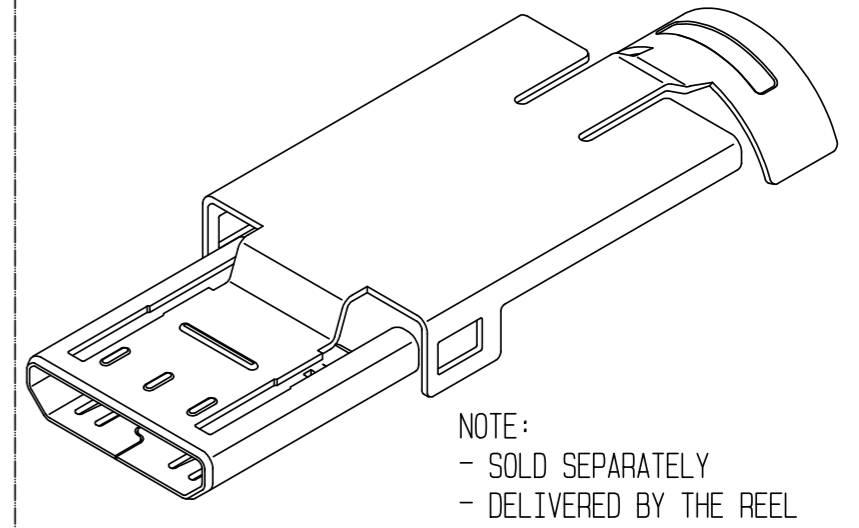


Fig - 3 OVER-MOLDING(REFERENCE)

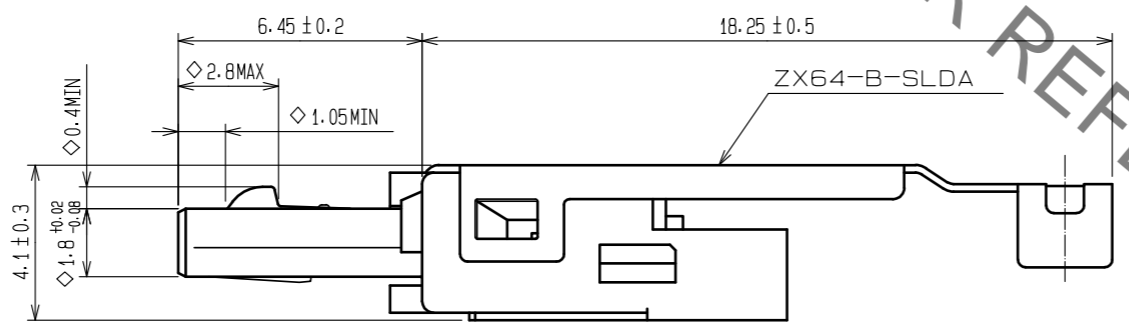
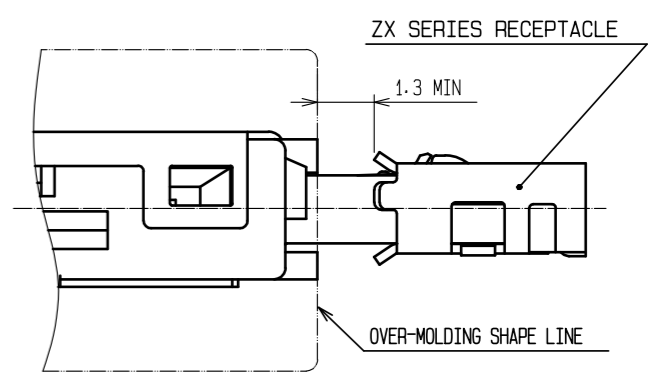


ZX64-B-SLDA  
CODE : CL242-0013-0



NOTE:  
- SOLD SEPARATELY  
- DELIVERED BY THE REEL

Fig - 4 MATED CONDITION



HRS DRAWING FOR REFERENCE

NOTES ③ SHIELDING-PLATES, ZX64-B-SLDA ARE USED FOR ASSEMBLY.  
4 \*◇\*SYMBOL ADDED TO EACH DIMENSION MEANS CRITICAL DIMENSION ON USB SPECIFICATION.  
PLEASE CHECK THEM AFTER OVER-MOLDING.

<b>HRS</b>	DRAWING NO.	EDC-125961-31-00
	PART NO.	ZX64-B-5S-UNIT(31)
	CODE NO.	CL242-0009-3-31
		2/2