

## Print and SMD Switch 6x6



LSH: Gullwing, variable height



LPH: Through hole, variable height



LPS: Through hole, square



LPV: Through hole, angled

**Description**

- Switches are possible with different heights
- Design 6x6 mm
- Through hole or SMD mounting
- Solder terminals

**Unique Selling Proposition**

- Reliable tactile feedback on input
- Simple assembly
- Long life time

**Weblinks**

[html-datasheet](#), [General Product Information](#), [CE declaration of conformity](#), [RoHS](#), [CHINA-RoHS](#), [CAD-Drawings](#), [Product News](#), [Detailed request for product](#)

**Technical Data****Electrical Data**

Switching Voltage	12 VDC
Switching Current	50 mA
Lifetime	> 10 <sup>8</sup> actuations at Rated Switching Capacity
Contact Resistance	max. 100 mΩ max. 100 mΩ after lifetime
Duration of Bounce	typ. 0.1 ms

**Mechanical Data**

Actuating Force	1.6 ± 0.5 N
Actuating Travel	0.25 + 0.2 / -0.1 mm
End Stop Strength	50 N / 3 s
Lifetime	> 10 <sup>8</sup> actuations

**Climatical Data**

Operating Temperature	-20 °C to 70 °C
Storage Temperature	-30 °C to 85 °C
IP-Protection	IP 40

**Soldering Data**

Soldering Methods	Reflow
Solderability	245 °C / 5 sec (IEC 60068-2-58 Test Td)
Resistance to Soldering Heat	260 °C / 10 sec (IEC 60068-2-58 Test Td)

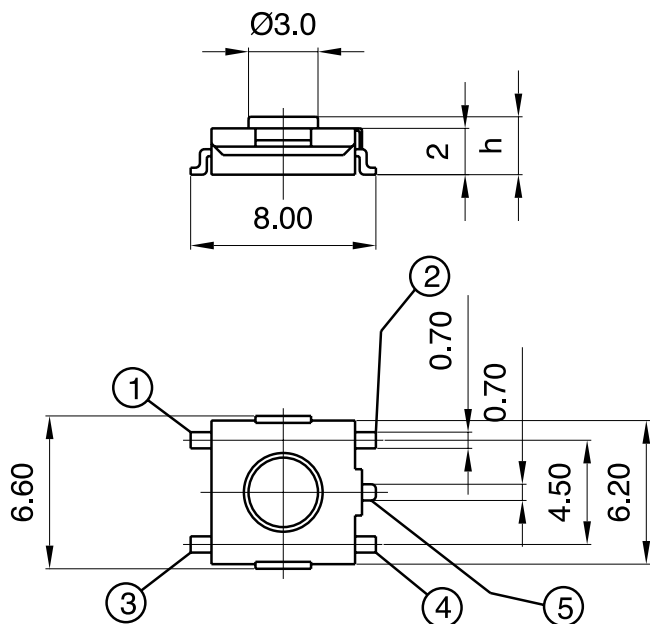
**Material**

Terminals	CuZn37 0.7 μm Ag
Socket	UL 94V-0
Actuator	UL 94V-0

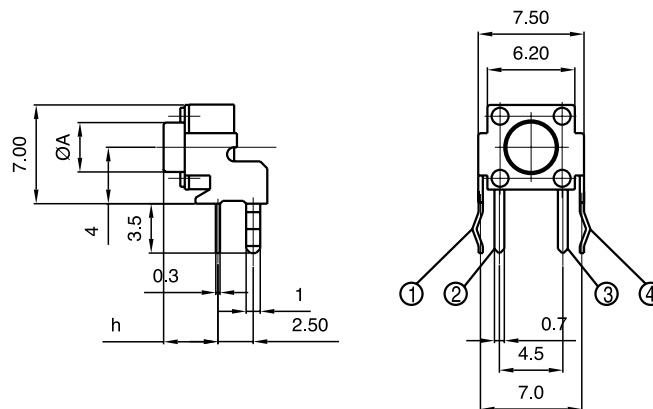
Detailed information on product approvals, code requirements, usage instructions and detailed test conditions can be looked up in [General Product Information](#)

## Dimension [mm]

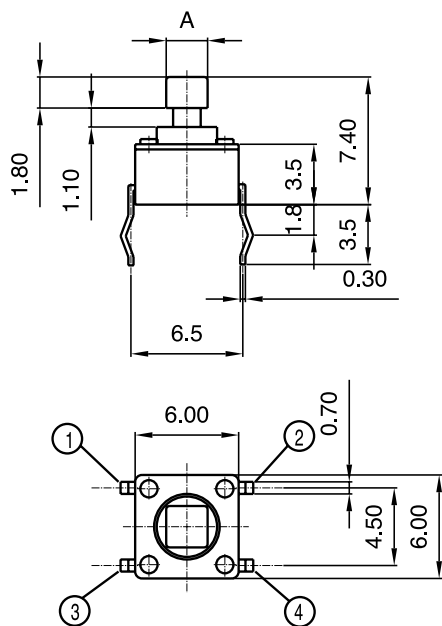
LSG Gullwing basic module



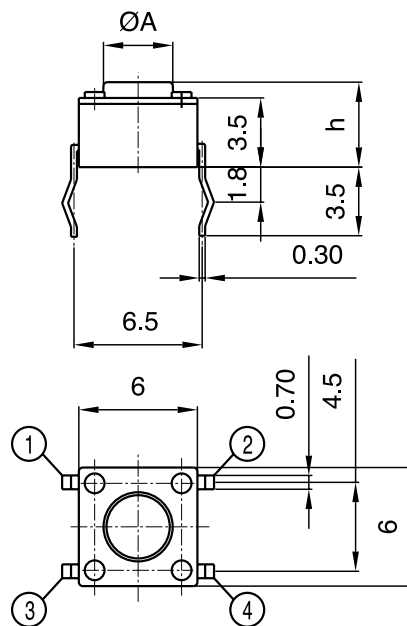
LPV PCB basic module



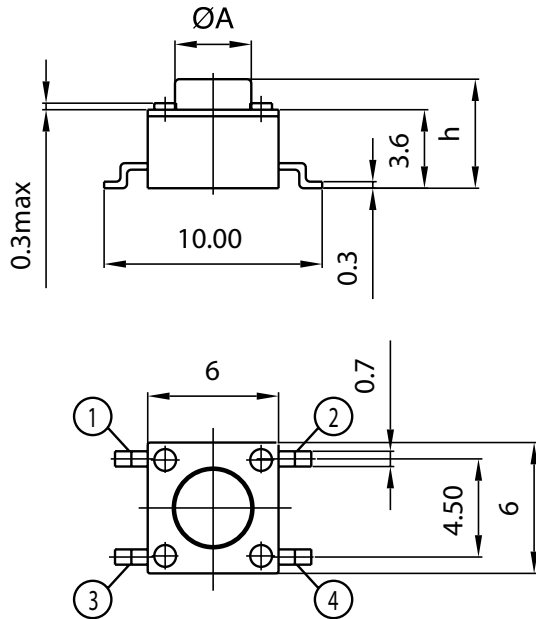
LPS PCB basic module



LPH PCB basic module

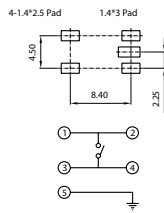


LSH Gullwing basic module

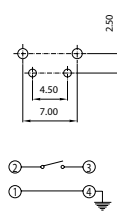


Drilling diagrams

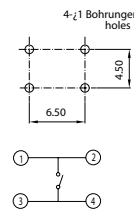
LSG: Gullwing



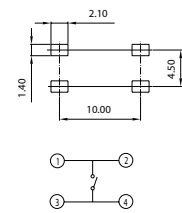
LPV PCB lead



LPH / LPS PCB lead



LSH Gullwing lead



All Variants

Type	Terminal	Type	Actuator $\varnothing$ A / Overall height	Packaging	Order Number
LPH	Through hole	Height variable	12.50 mm	loose in boxes(2000 pcs.)	<a href="#">1301.9307</a>
LPH	Through hole	Height variable	4.30 mm	loose in boxes(2000 pcs.)	<a href="#">1301.9301</a>
LPH	Through hole	Height variable	5.00 mm	loose in boxes(2000 pcs.)	<a href="#">1301.9302</a>
LPH	Through hole	Height variable	7.00 mm	loose in boxes(2000 pcs.)	<a href="#">1301.9303</a>
LPH	Through hole	Height variable	7.30 mm	loose in boxes(2000 pcs.)	<a href="#">1301.9304</a>
LPH	Through hole	Height variable	8.00 mm	loose in boxes(2000 pcs.)	<a href="#">1301.9305</a>
LPH	Through hole	Height variable	9.50 mm	loose in boxes(2000 pcs.)	<a href="#">1301.9306</a>
LPS	Through hole	square 2.40 mm x 2.40 mm	-	loose in boxes(2000 pcs.)	<a href="#">1301.9308</a>
LPS	Through hole	square 2.80 mm x 2.80 mm	-	loose in boxes(2000 pcs.)	<a href="#">1301.9309</a>
LPV	Through hole	angled	11.35 mm	loose in boxes(2000 pcs.)	<a href="#">1301.9502</a>
LPV	Through hole	angled	3.85 mm	loose in boxes(2000 pcs.)	<a href="#">1301.9501</a>
LPV	Through hole	angled	6.15 mm	loose in boxes(2000 pcs.)	<a href="#">1301.9503</a>
LSG	Gullwing	-	2.50 mm	Blister Tape 33 cm Reel(1500 pcs.)	<a href="#">1301.9312.25</a>
LSG	Gullwing	-	2.50 mm	loose in boxes(2000 pcs.)	<a href="#">1301.9312</a>
LSG	Gullwing	-	3.10 mm	Blister Tape 33 cm Reel(1500 pcs.)	<a href="#">1301.9313.25</a>
LSG	Gullwing	-	3.10 mm	loose in boxes(2000 pcs.)	<a href="#">1301.9313</a>
LSH	Gullwing	Height variable	12.50 mm	Blister Tape 33 cm Reel(250 pcs.)	<a href="#">1301.9320.24</a>
LSH	Gullwing	Height variable	12.50 mm	loose in boxes(2000 pcs.)	<a href="#">1301.9320</a>
LSH	Gullwing	Height variable	4.30 mm	Blister Tape 33 cm Reel(1000 pcs.)	<a href="#">1301.9314.24</a>
LSH	Gullwing	Height variable	4.30 mm	loose in boxes(2000 pcs.)	<a href="#">1301.9314</a>

Type	Terminal	Type	Actuator $\varnothing$ A / Overall height	Packaging	Order Number	
LSH	Gullwing	Height variable	5.00 mm	Blister Tape 33 cm Reel(1000 pcs.)	<a href="#">1301.9315.24</a>	■
LSH	Gullwing	Height variable	5.00 mm	loose in boxes(2000 pcs.)	<a href="#">1301.9315</a>	■
LSH	Gullwing	Height variable	7.00 mm	Blister Tape 33 cm Reel(750 pcs.)	<a href="#">1301.9316.24</a>	■
LSH	Gullwing	Height variable	7.00 mm	loose in boxes(2000 pcs.)	<a href="#">1301.9316</a>	■
LSH	Gullwing	Height variable	7.30 mm	Blister Tape 33 cm Reel(750 pcs.)	<a href="#">1301.9317.24</a>	■
LSH	Gullwing	Height variable	7.30 mm	loose in boxes(2000 pcs.)	<a href="#">1301.9317</a>	■
LSH	Gullwing	Height variable	8.00 mm	Blister Tape 33 cm Reel(500 pcs.)	<a href="#">1301.9318.24</a>	■
LSH	Gullwing	Height variable	8.00 mm	loose in boxes(2000 pcs.)	<a href="#">1301.9318</a>	■
LSH	Gullwing	Height variable	9.50 mm	Blister Tape 33 cm Reel(400 pcs.)	<a href="#">1301.9319.24</a>	■
LSH	Gullwing	Height variable	9.50 mm	loose in boxes(2000 pcs.)	<a href="#">1301.9319</a>	■

■ Most Popular.

Availability for all products can be searched real-time:<https://www.schurter.com/en/Stock-Check/Stock-Check-SCHURTER>