



X CLOSE

Snap-in Type TACT Switch™ > SKHH Series > SKHHLWA010

6.0mm Square Type (Snap-in) SKHH Series

| [Dimensions](#) | [Mounting Hole Dimensions](#) | [Circuit Diagram](#) | [Packing Specifications](#) |
 | [Soldering Conditions](#) |



Part number [Series Common Info](#)

SKHHLWA010

NET SHOP

3D CAD

RoHS

Print

Inquiry

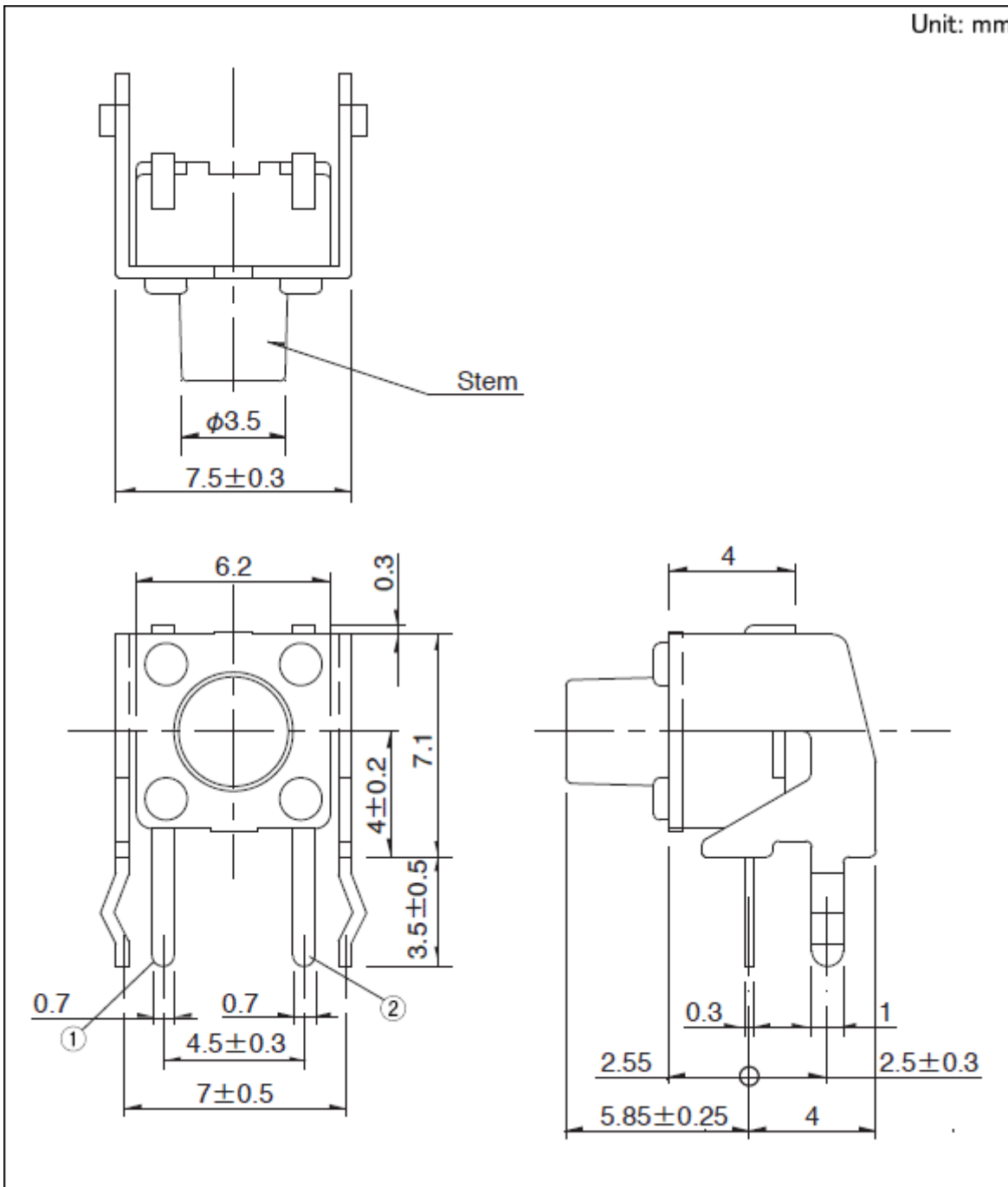
Side push type

| | |
|-------------------------------|----------------|
| Type | Snap-in |
| Operating force | 2.55N |
| Operating direction | Side push |
| Travel | 0.25mm |
| Operating life (5mA 5V DC) | 200,000 cycles |
| Initial contact resistance | 100mΩ max. |
| Stem color | Red |

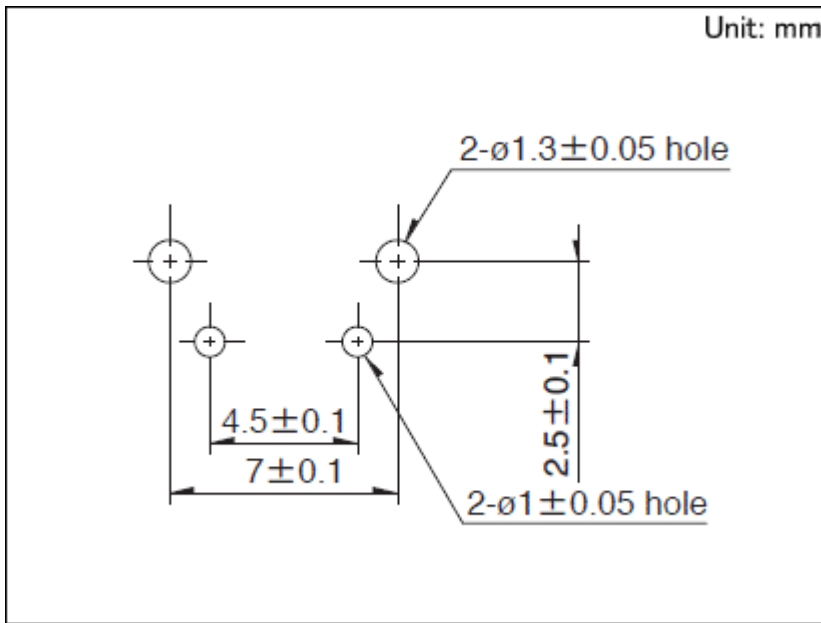
| | | |
|-----------------------------|-----------------------|--|
| Stem length | | l=5.85mm |
| Series type | | Sharp feeling type |
| Operating temperature range | | -40°C to +90°C |
| Rating (max.) | | 50mA 12V DC |
| Rating (min.) | | 10μA 1V DC |
| Electrical performance | Insulation resistance | 100MΩ min. 100V DC for 1min. |
| | Voltage proof | 250V AC for 1 min. |
| Durability | Vibration | 10 to 55 to 10Hz/min., the amplitude is 1.5mm for all the frequencies, in the 3 direction of X, Y and Z for 2 hours respectively |
| | Cold | -40 ± 2°C for 96h |
| Environmental performance | Dry heat | 90 ± 2°C for 96h |
| | Damp heat | 60 ± 2°C, 90 to 95%RH for 96h |
| Minimum order unit (pcs.) | | Japan 1,000 |
| | | Export 1,000 |

Dimensions

Unit: mm

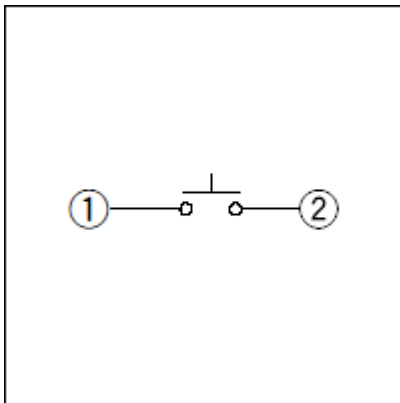


Mounting Hole Dimensions



Viewed from mounting face.

Circuit Diagram



Packing Specifications

Bulk

| | | |
|-----------------|----------------------------|--------|
| Number of | 1 case / Japan | 10,000 |
| packages (pcs.) | 1 case / export packing | 30,000 |

Export package measurements (mm) 309 × 476 × 347

Soldering Conditions

Conditions for Auto-dip

| Items | Condition |
|------------------------|--|
| Flux built-up | Mounting surface should not be exposed to flux |
| Preheating temperature | Ambient temperature of the soldered surface of PC board. 110°C max. |
| Preheating time | 60s max. |
| Soldering temperature | 260°C max. |
| Duration of immersion | 5s max. |
| Number of soldering | 2 times max. |

Manual Soldering

| Items | Condition |
|----------------------------|------------|
| Soldering temperature | 360°C max. |
| Duration of soldering | 3s max. |
| Capacity of soldering iron | 60W max. |

1. Do not washing the TACT Switch™.
2. Prevent flux penetration from the top side of the TACT switch™.
3. Switch terminals and a PC board should not be coated with flux prior to soldering.
4. The second soldering should be done after the switch returns to normal temperature.
5. Use the flux with a specific gravity of at least 0.81.
(EC-19s-8 by TAMURA Corporation, or their equivalents.)

Notes are common to this series/models.

1. This site catalog shows only outline specifications. When using the products, please obtain formal specifications for supply.
2. Please use 1.6mm thick PC boards.
3. Please place purchase orders per minimum order unit (integer).
4. This products can be used in vehicles.
Although these products are designed to perform over a wide operating temperature range, please ensure that you receive and read the formal delivery specifications before use.

Inquiries about Products

[Inquiry](#)

COPYRIGHT© 2020 ALPS ALPINE CO., LTD