



X CLOSE

Surface Mount Type TACT Switch™ > SKRA Series > SKRAAME010

6.2mm Square Type with Middle-travel (Surface Mount) SKRA Series

| [Dimensions](#) | [Land Dimensions](#) | [Circuit Diagram](#) | [Packing Specifications](#) |
| [Soldering Conditions](#) |



Part number [Series Common Info](#)

SKRAAME010

NET SHOP

3D CAD

RoHS

Print

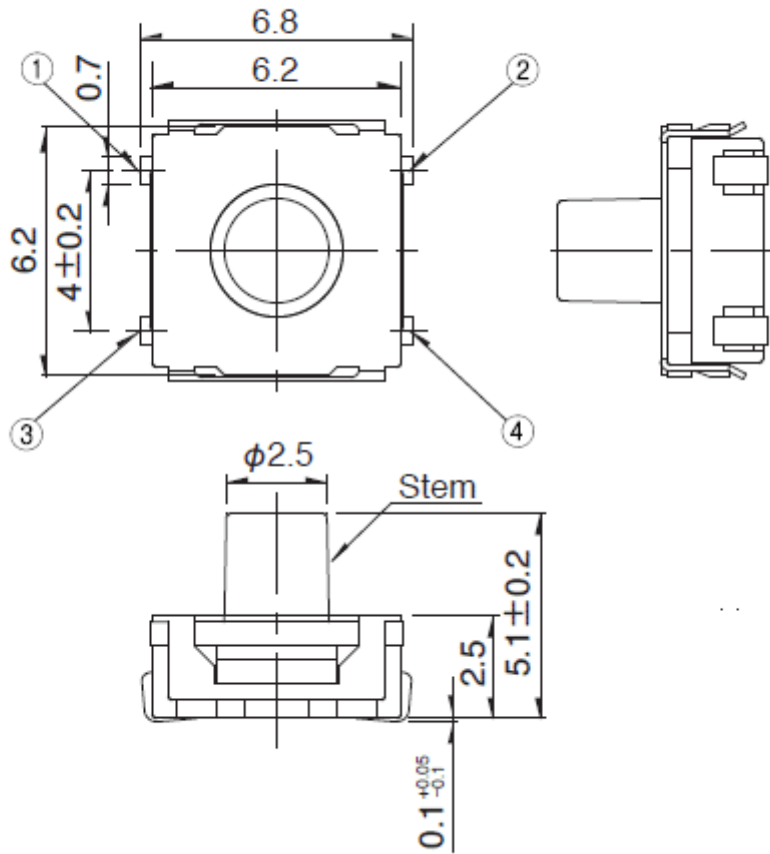
Inquiry

Type	Surface mount
Operating force	1.96N
Operating direction	Top push
Travel	0.5mm
Operating life (50mA 12V DC)	100,000 cycles
Initial contact resistance	100mΩ max.
Protective structure	IP67 equivalent
Stem color	White

Series type	Sharp feeling type	
Operating temperature range	-30°C to +85°C	
Rating (max.)	50mA 12V DC	
Rating (min.)	10μA 1V DC	
Electrical performance	Insulation resistance	100MΩ min. 100V DC for 1min.
	Voltage proof	250V AC for 1 min.
Durability	Vibration	10 to 55 to 10Hz/min., the amplitude is 1.5mm for all the frequencies, in the 3 direction of X, Y and Z for 2 hours respectively
	Cold	-30 ± 2°C for 96h
Environmental performance	Dry heat	80 ± 2°C for 96h
	Damp heat	60 ± 2°C, 90 to 95%RH for 96h
Minimum order unit (pcs.)	Japan	1,400
	Export	1,400

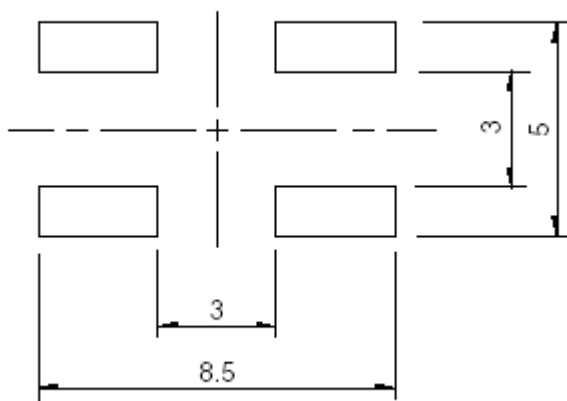
Dimensions

Unit: mm



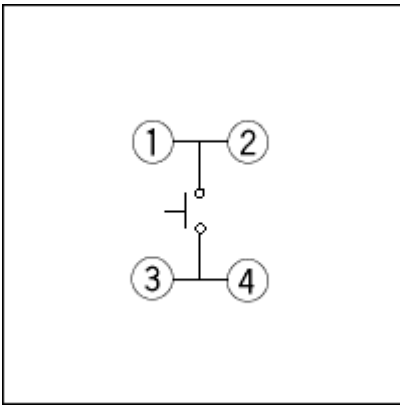
Land Dimensions

Unit: mm



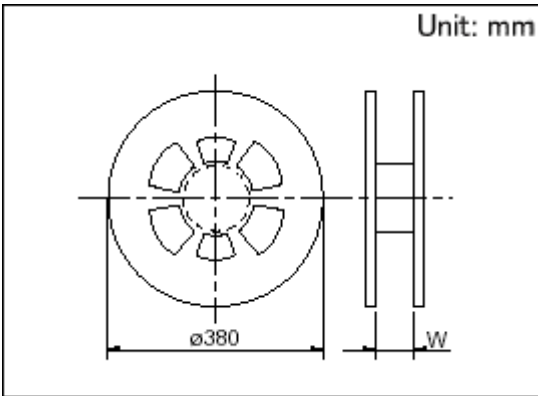
Viewed from mounting face.

Circuit Diagram



Packing Specifications

Taping



	1 reel	1,400
Number of packages (pcs.)	1 case / Japan	11,200
	1 case / export packing	11,200
Reel width W(mm)		17.5
Tape width (mm)		16
Export package measurements (mm)	395 × 395 × 205	

Soldering Conditions

Condition for Reflow

1. Heating method

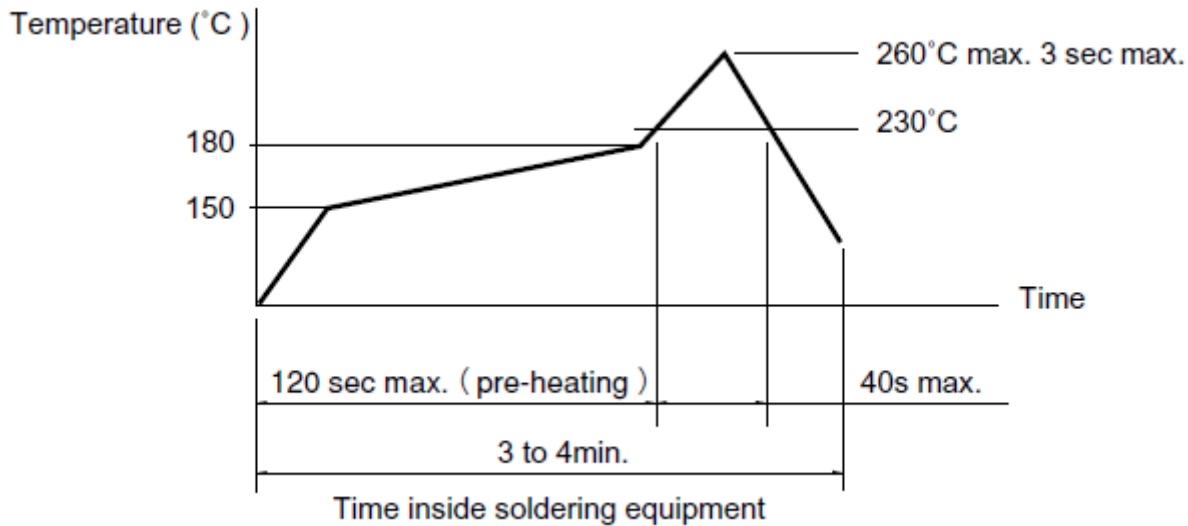
Double heating method with infrared heater.

2. Temperature measurement

Thermocouple 0.1 to 0.2 Φ CA(K) or CC(T) at solder joints (copper foil surface). A heat

resisting tape should be used for fix measurement.

3. Temperature profile



(1) The above temperature shall be measured of the top of switch. There are cases where PC board's temperature greatly differs from that of the switch, depending on the material, size, thickness of PC board's and others. Care, should be taken to prevent the switch's surface temperature from exceeding 260°C.

(2) Soldering conditions differ depending on reflow soldering machines. Prior verification of soldering condition is highly recommended.

Manual Soldering

Items	Condition
Soldering temperature	350°C max.
Duration of soldering	3s max.
Capacity of soldering iron	60W max.

1. Do not washing the TACT Switch™.
2. Prevent flux penetration from the top side of the TACT switch™.
3. Switch terminals and a PC board should not be coated with flux prior to soldering.
4. The second soldering should be done after the switch returns to normal temperature.

Notes are common to this series/models.

1. This site catalog shows only outline specifications. When using the products, please obtain formal specifications for supply.
2. Please place purchase orders for taping products per minimum order unit (1 reel or a case).
3. For ϕ 330mm diameter reel requirements, please contact us.

4. This products can be used in vehicles.

Although these products are designed to perform over a wide operating temperature range, please ensure that you receive and read the formal delivery specifications before use.

5. Protective structure :

Assumes the switch is left alone without being operated. Under the specified conditions, dust and water ingress with a significant impact on the switch's on-off function is prevented.

IP67 · IP68 dust and water resistance is guaranteed for the switch alone and performance may not be guaranteed depending on the mounting conditions and usage.

Inquiries about Products

[Inquiry](#)

COPYRIGHT© 2020 ALPS ALPINE CO., LTD