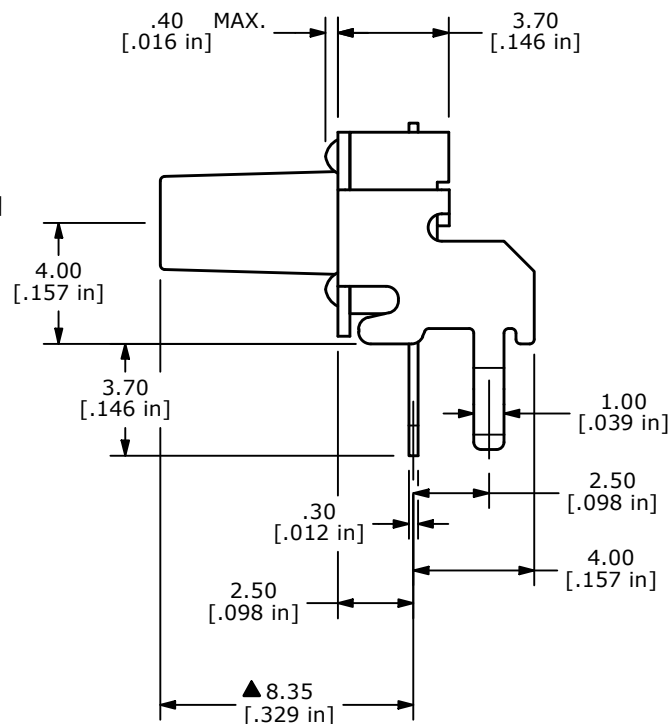
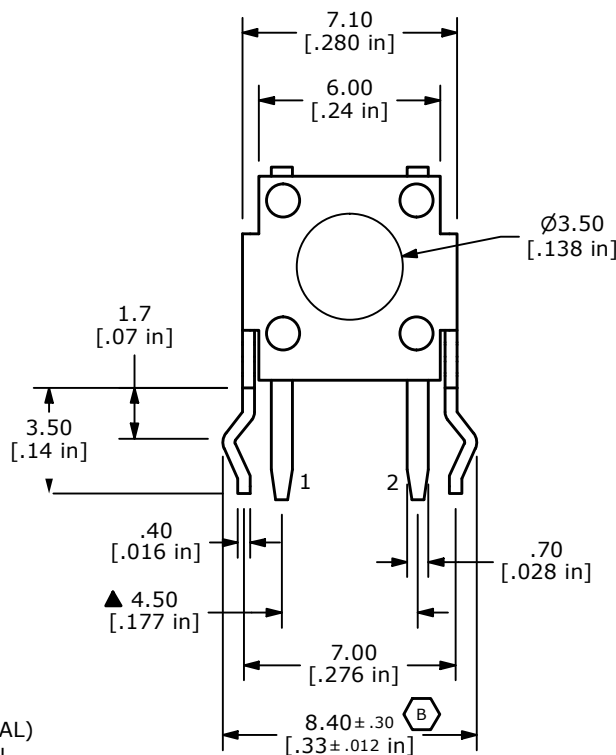
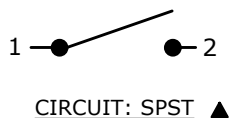


▲ ACTUATOR
COLOR: RED



NOTES:

1. ALL DIMENSIONS IN MM
2. GENERAL TOLERANCE: X.X = ±0.4
X.XX = ±0.25
3. TERM. NOS. FOR REFERENCE ONLY.
4. RATING: 12VDC, 50mA
- ▲ 5. OPERATING FORCE: 250 ±50 gf
6. TRAVEL: 0.25 +0.2/-0.1 mm
7. CONTACT RESISTANCE: 50 MILLI OHMS MAX. (INITIAL)
8. MECHANICAL/ELECTRICAL LIFE 100,000 CYCLES MIN.
- ▲ 9. CONTACT MATERIAL: SILVER
10. ▲ DENOTES CRITICAL PARAMETER
11. OPERATING TEMP: -40°C TO 85°C



| | | | | |
|-----|--------|-------------------------------------|----------|-----|
| C | 24551 | REMOVE STEP IN HOUSING, CHANGE TEMP | 10/29/20 | JM |
| B | 19502 | CHANGED TOLERANCE | 12/08/10 | BGL |
| REV | PCR NO | DESCRIPTION | DATE | BY |

| | | | | |
|--------------------|----------|----|---------|-----|
| TITLE TL1105SF250Q | | | | |
| SCALE | DATE | DR | DWG | REV |
| 4:1 | 7/2/1998 | MM | P021300 | C |

THE INFORMATION CONTAINED IN THIS DOCUMENT IS PROPRIETARY TO E-SWITCH AND IS NOT TO BE COPIED OR TRANSFERRED