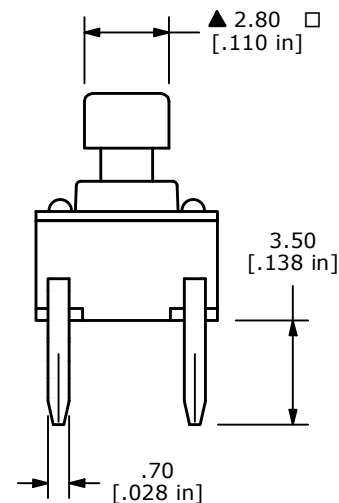
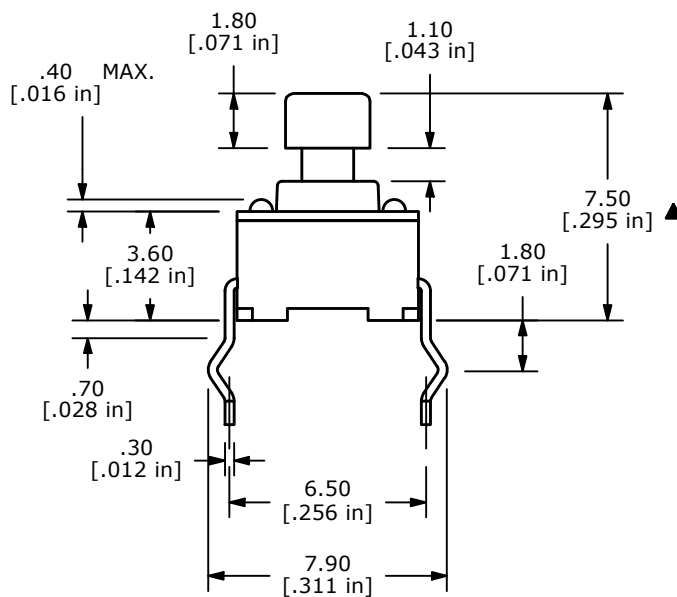


CIRCUIT: SPST ▲



- NOTES:
1. ALL DIMENSIONS IN MM [INCH]
 2. TERMINAL NUMBERS FOR REF. ONLY
 3. TOLERANCE: X.X=± 0.4
X.XX=± 0.25
 4. RATING: 50mA @ 12VDC
 5. TRAVEL: 0.25mm +0.2/-0.1mm
 - ▲6. OPERATING FORCE: 100± 50gf
 7. ELECTRICAL LIFE: 100,000 CYCLES MIN.
 8. CONTACT RESISTANCE: 100mΩ MAX.
 - ▲9. CONTACT MATERIAL: SILVER
 10. ▲ DENOTES CRITICAL PARAMETER
 11. OPERATING TEMP: -40°C TO 85°C



B	24547	CHANGE OPERATING TEMPERATURE	10/6/20	JM
A	11501	RELEASED FOR PRODUCTION	9/4/02	CJB
REV	PCR NO	DESCRIPTION	DATE	BY

TITLE TL1105SPF100Q				
SCALE	DATE	DR	DWG	REV
4:1	9/4/2002	CJB	P010210	B

THE INFORMATION CONTAINED IN THIS DOCUMENT IS PROPRIETARY TO E-SWITCH AND IS NOT TO BE COPIED OR TRANSFERRED