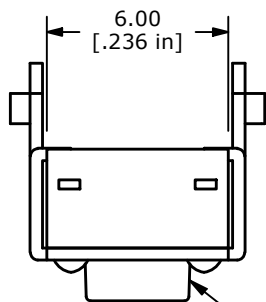
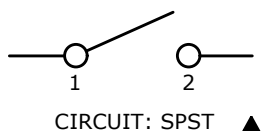
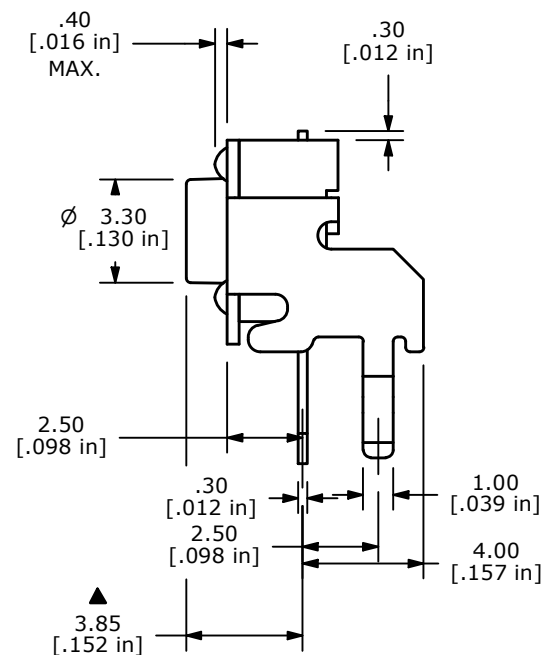
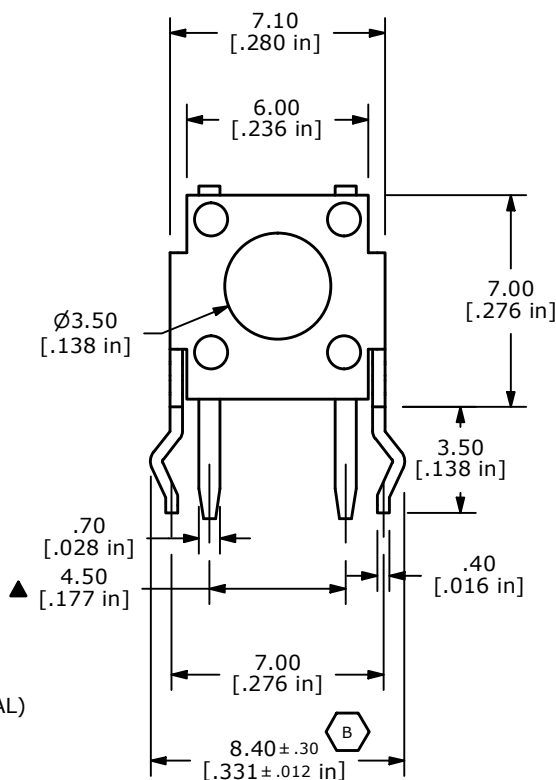
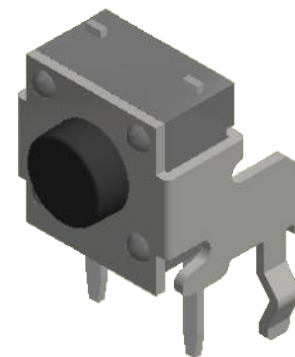


P.C.B. LAYOUT



ACTUATOR
COLOR: BLACK



NOTES:

1. ALL DIMENSIONS IN MM
2. GENERAL TOLERANCE: X.X=±0.4
X.XX=±0.25
3. TERM. NOS. FOR REFERENCE ONLY.
4. RATING: 50VDC, 50mA
- ▲5. OPERATING FORCE: 160 ± 50 gf
6. TRAVEL: 0.3 ± 0.15 mm
7. CONTACT RESISTANCE: 100 MILLI OHMS MAX. (INITIAL)
8. MECHANICAL/ELECTRICAL LIFE 100,000 CYCLES MIN.
- ▲9. CONTACT MATERIAL: SILVER
10. ▲ DENOTES CRITICAL PARAMETER
11. OPERATING TEMP: -40°C TO 85°C

C	24549	REMOVE STEP IN HOUSING, CHANGE TEMP	10/19/20	JM
B	18677	LEG TOLERANCE WAS +/- 0.1	10/9/09	BLR
A	14189	RELEASED FOR PRODUCTION	7/27/04	AR
REV	PCR NO	DESCRIPTION	DATE	BY



TITLE TL1105VF160Q				
SCALE	DATE	DR	DWG	REV
4:1	7/24/2004	AR	P010309	C

THE INFORMATION CONTAINED IN THIS DOCUMENT IS PROPRIETARY TO E-SWITCH AND IS NOT TO BE COPIED OR TRANSFERRED