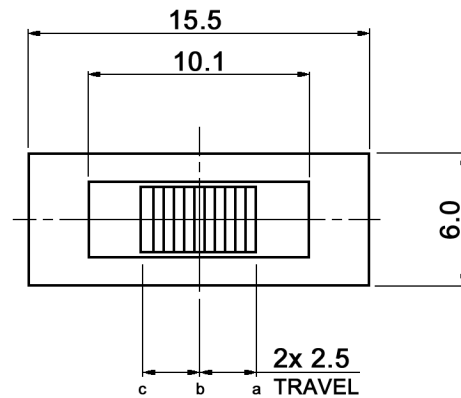
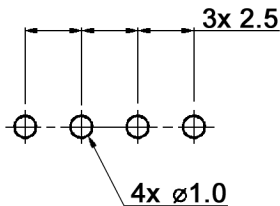


x	L
(empty)	4 mm
7	7 mm
9	9 mm

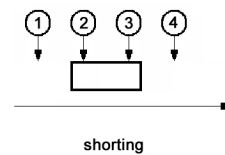
HOLE LAYOUT $\oplus 0.05$



Specifications:

- Contact rating: 0.3A, 30V DC
- Contact resistance: 20mOhm max.
- Insulation resistance: 100MOhm min. at 500V DC
- Dielectric strength: 500V AC (50/60Hz) for 1 minute
- Operating temperature: -10°C to +60°C
- Storage temperature: -40°C to +85°C
- Mechanical life: 10 000 cycles
- Operating force: a-b c-b: 200 +/-100gf
b-a b-c: 300 +/-150gf
- Soldering conditions: iron method: 350 +/-10°C, 3 +/-1sec.
- Material: Terminal: brass strip, silver plated
Base: phenolic resin, natural
Contact clip: C5210R-EH, silver plated
Steel ball: carbon steel, natural
Spring: SWC, temper
Frame: SPCC, nickel plated
Slider: POM, black

**CIRCUIT DIAGRAM
BOTTOM VIEW**



Compliance: RohS III (2015/863/EU)

Tolerances: up to 10: ±0.2mm above 10-50: ±0.3mm	Date	Name
	07/15	dr
Storage temperature	11/19	dr
Modifications	Date	Name

MFP 1320 x

30 33 67

Page

1/1

knitter-switch