

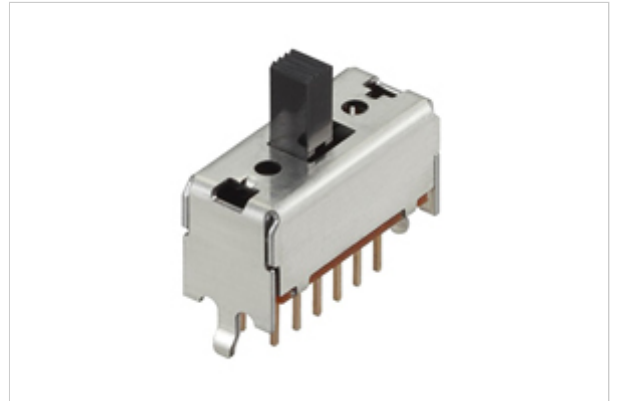
ALPSALPINE**ALPSALPINE**

X CLOSE

Slide Switch > SSSF Series > SSSF040800

8.5(H)mm, 2.0mm-travel Type SSSF Series

| [Dimensions](#) | [Mounting Hole Dimensions](#) | [Actuator Configuration](#) | [Shape of Frame Leg](#) |
 | [Circuit Diagram](#) | [Packing Specifications](#) | [Soldering Conditions](#) |

Part number [Series Common Info](#)**SSSF040800**
 NET SHOP

 3D CAD

 RoHS

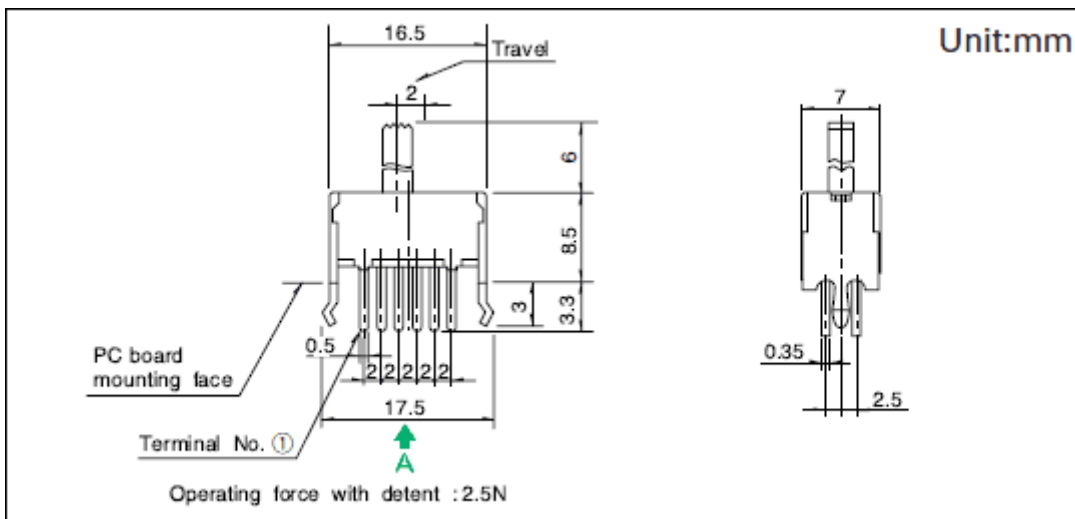
 Print

 Inquiry

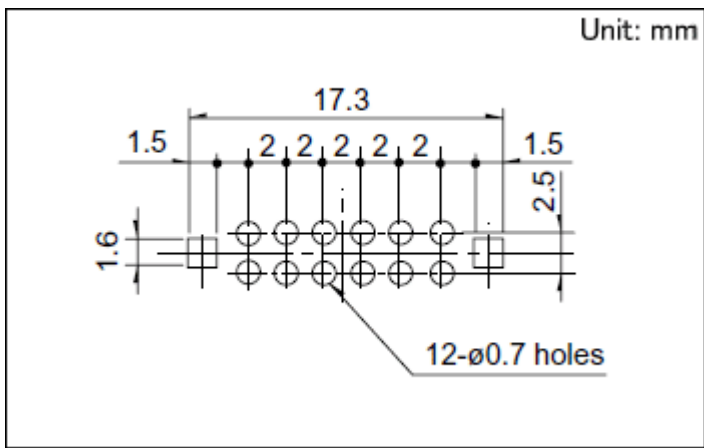
Travel	2mm
Actuator directions	Vertical
Actuator length	6mm
Poles	4
Positions	2
Operating force	Refer to the dimensions.
Mounting method	Snap-in (t1.6)
Changeover timing	Non shorting
Soldering	Manual, Dip
Operating temperature range	-40°C to +85°C

Rating (max.)/(min.) (Resistive load)		0.1A 30V DC/50 μ A 3V DC
Electrical performance	Contact resistance (Initial performance/After lifetime)	25m Ω max./65m Ω max.
	Insulation resistance	100M Ω min. 500V DC
	Voltage proof	500V AC for 1 minute
	Terminal strength	5N for 1 minute
Mechanical performance	Actuator strength	Operating direction 30N Pulling direction 30N
	Operating life without load	10,000 cycles 45m Ω max.
Durability	Operating life with load (at max. rated load)	10,000 cycles 65m Ω max.
	Cold	-40°C 500h
Environmental performance	Dry heat	85°C 500h
	Damp heat	60°C, 90 to 95%RH 500h
Minimum order unit (pcs.)	Japan	800
	Export	4,000

Dimensions

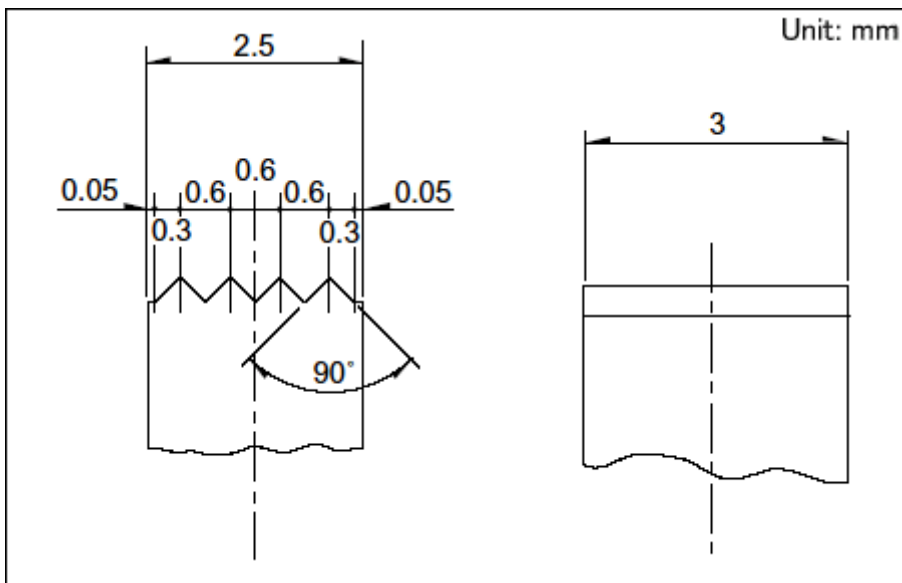


Mounting Hole Dimensions

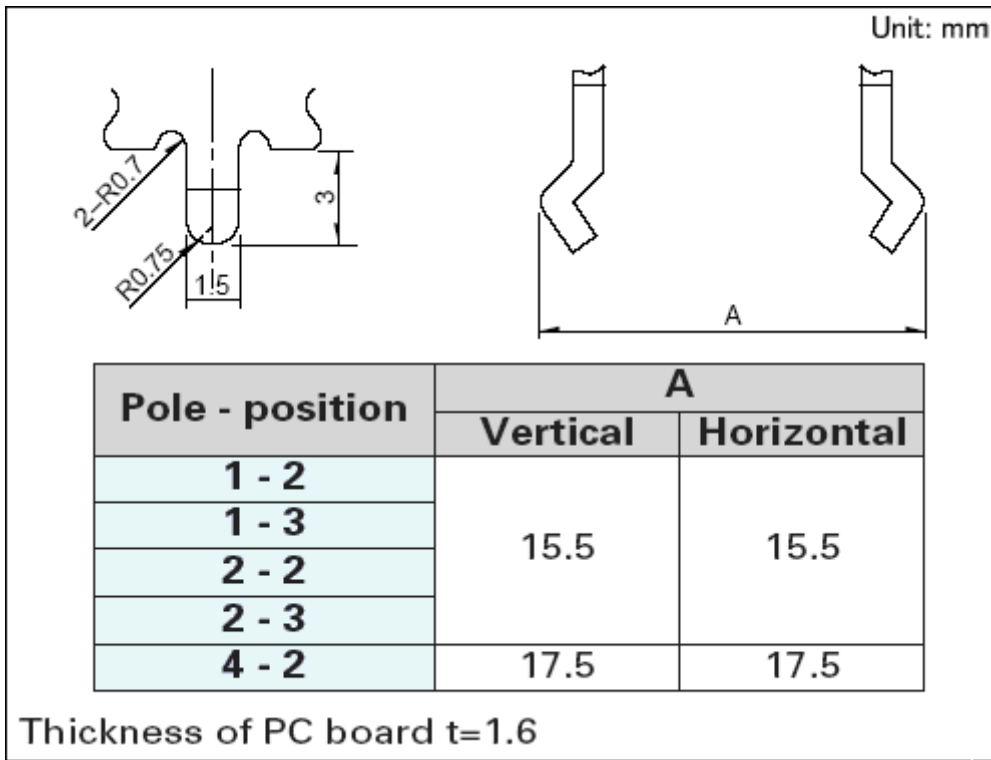


Viewed from direction A in the dimensions.

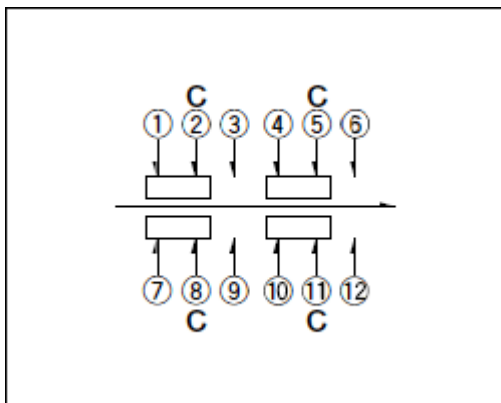
Actuator Configuration



Shape of Frame Leg



Circuit Diagram



Packing Specifications

Bulk

Number of packages (pcs.) 1 case / Japan 800
 1 case / export packing 4,000

Export package measurements (mm) 400 × 270 × 290

Soldering Conditions

Reference for Dip Soldering

Items	Preheating temperature	100°C max.
	Preheating time	60s max.
Dip soldering	Soldering temperature	260 ± 5°C
	Duration of immersion	10 ± 1s

Reference for Hand Soldering

Soldering temperature	350 ± 10°C
Soldering time	3+1/0s

Notes are common to this series/models.

1. This site catalog shows only outline specifications. When using the products, please obtain formal specifications for supply.
2. Please place purchase orders per minimum order unit (integer).
3. Products other than those listed in the above chart are also available. Please contact us for details.

Inquiries about Products

[Inquiry](#)

COPYRIGHT© 2020 ALPS ALPINE CO., LTD