



X CLOSE

Slide Switch > SSSS2 Series > SSSS213000

3.5(H)mm, 2.0mm-travel Type SSSS2 Series

| [Dimensions](#) | [Mounting Hole Dimensions](#) | [Circuit Diagram](#) | [Packing Specifications](#) |
 | [Soldering Conditions](#) |



Part number [Series Common Info](#)

SSSS213000

NET SHOP

3D CAD

RoHS

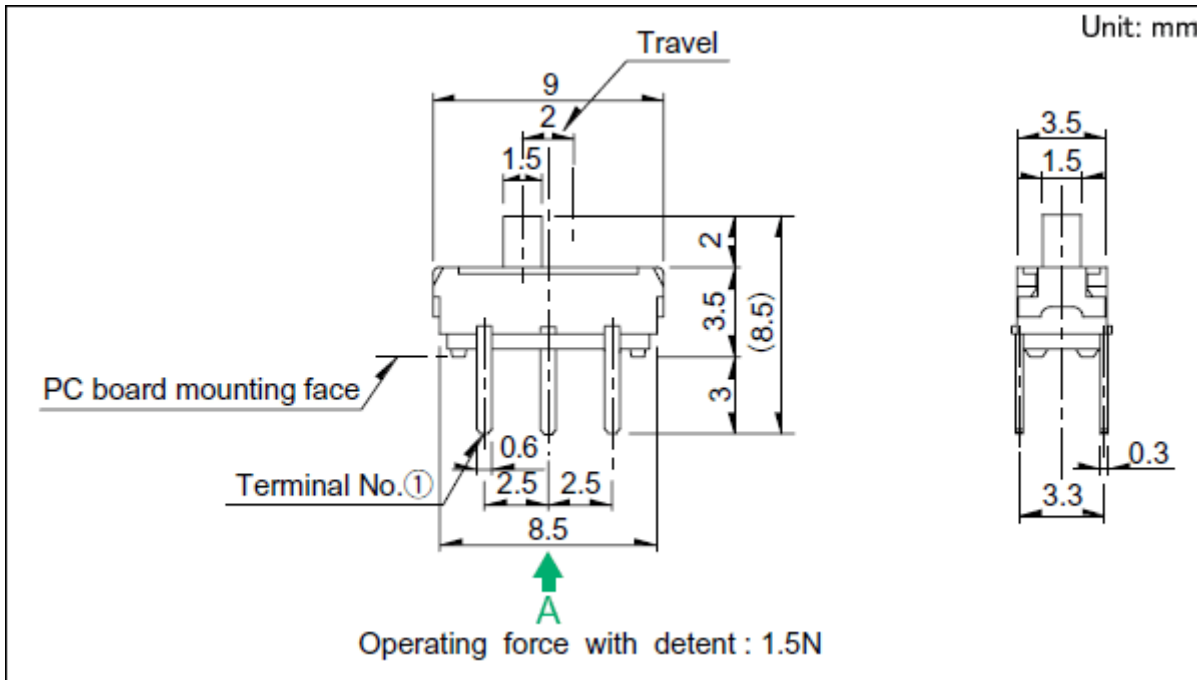
Print

Inquiry

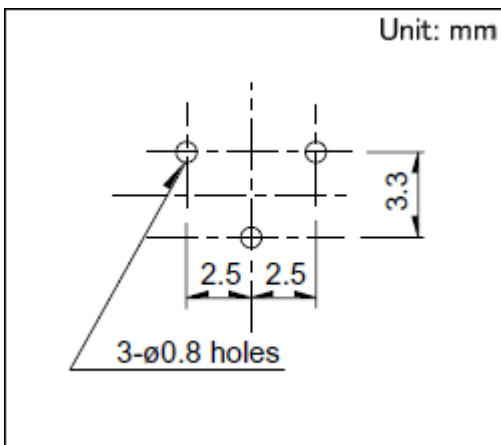
| | | |
|---------------------------------------|--------------------------|-----------------------|
| Travel | 2mm | |
| Actuator directions | Vertical | |
| Actuator length | 2mm | |
| Poles | 1 | |
| Positions | 2 | |
| Operating force | Refer to the dimensions. | |
| Changeover timing | Non shorting | |
| Soldering | Manual, Dip | |
| Operating temperature range | | -40°C to +85°C |
| Rating (max.)/(min.) (Resistive load) | | 0.3A 6V DC/50μA 3V DC |

| | | |
|---------------------------|--------------------------------------------------|--------------------------|
| Electrical performance | Contact resistance | 70mΩ max./130mΩ max. |
| | (Initial performance/After lifetime) | |
| | Insulation resistance | 100MΩ min. 500V DC |
| | Voltage proof | 500V AC for 1 minute |
| | Terminal strength | 3N for 1 minute |
| Mechanical performance | Operating direction | 20N |
| | Actuator strength | |
| | Pulling direction | 10N |
| Durability | Operating life without load | 10,000 cycles 100mΩ max. |
| | Operating life with load (at max. rated load) | 10,000 cycles 130mΩ max. |
| | Cold | -20°C 500h |
| | Environmental performance | |
| Dry heat | | 85°C 500h |
| | Damp heat | 60°C, 90 to 95%RH 500h |
| Minimum order unit (pcs.) | Japan | 2,000 |
| | Export | 10,000 |

Dimensions

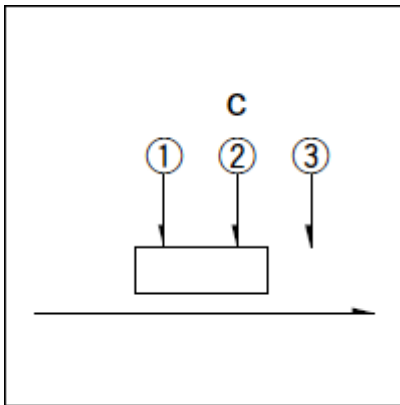


Mounting Hole Dimensions



Viewed from direction A in the dimensions.

Circuit Diagram



Packing Specifications

Bulk

| | | |
|-----------------|----------------------------|--------|
| Number of | 1 case / Japan | 2,000 |
| packages (pcs.) | 1 case / export packing | 10,000 |

Export package measurements (mm) 400 × 270 × 290

Soldering Conditions

Reference for Dip Soldering

| | | |
|-------|------------------------|----------|
| Items | Preheating temperature | 100°C |
| | Preheating time | 60s max. |

Dip soldering Soldering temperature $260 \pm 5^{\circ}\text{C}$

Duration of immersion $3 \pm 1\text{s}$

Reference for Hand Soldering

Soldering temperature $350 \pm 10^{\circ}\text{C}$

Soldering time 4s max.

Notes are common to this series/models.

1. This site catalog shows only outline specifications. When using the products, please obtain formal specifications for supply.
2. Please place purchase orders per minimum order unit (integer).
3. Products other than those listed in the above chart are also available. Please contact us for details.

Inquiries about Products

[Inquiry](#)

COPYRIGHT© 2020 ALPS ALPINE CO., LTD