



X CLOSE

Slide Switch > SSSS2 Series > SSSS223200

3.5(H)mm, 2.0mm-travel Type SSSS2 Series

| [Dimensions](#) | [Mounting Hole Dimensions](#) | [Circuit Diagram](#) | [Packing Specifications](#) |
| [Soldering Conditions](#) |



Part number [Series Common Info](#)

SSSS223200

NET SHOP

3D CAD

RoHS

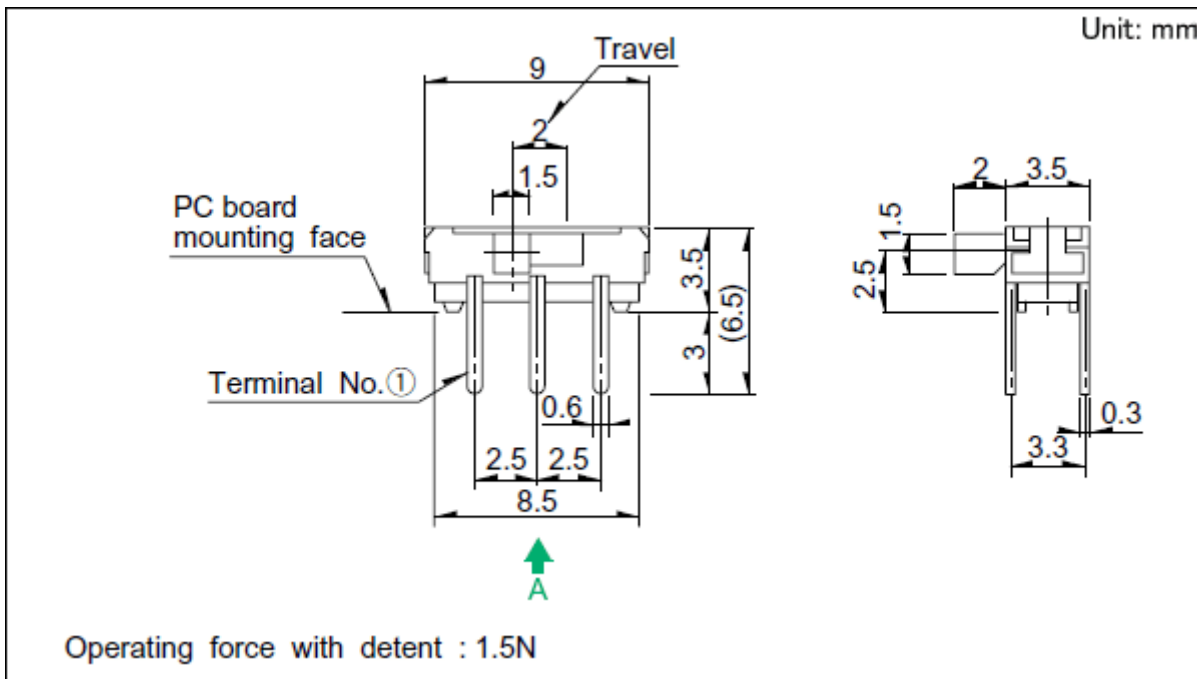
Print

Inquiry

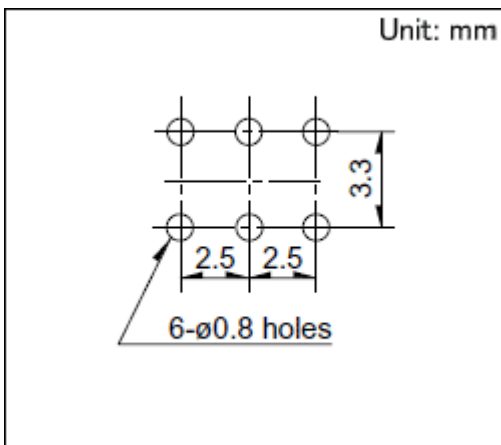
Travel	2mm	
Actuator directions	Horizontal	
Actuator length	2mm	
Poles	2	
Positions	2	
Operating force	Refer to the dimensions.	
Changeover timing	Non shorting	
Soldering	Manual, Dip	
Operating temperature range		-40°C to +85°C
Rating (max.)/(min.) (Resistive load)		0.3A 6V DC/50μA 3V DC

Electrical performance	Contact resistance	70mΩ max./130mΩ max.
	(Initial performance/After lifetime)	
	Insulation resistance	100MΩ min. 500V DC
	Voltage proof	500V AC for 1 minute
	Terminal strength	3N for 1 minute
Mechanical performance	Operating direction	20N
	Actuator strength	Pulling direction 10N
	Operating life without load	10,000 cycles 100mΩ max.
Durability	Operating life with load (at max. rated load)	10,000 cycles 130mΩ max.
	Cold	-20°C 500h
	Environmental performance	Dry heat 85°C 500h
Minimum order unit (pcs.)	Damp heat	60°C, 90 to 95%RH 500h
	Japan	2,000
	Export	10,000

Dimensions

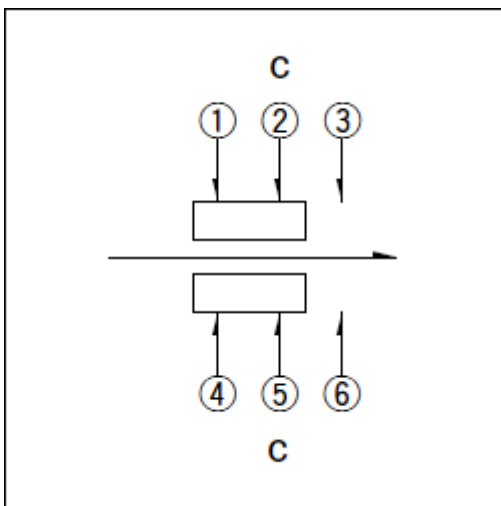


Mounting Hole Dimensions



Viewed from direction A in the dimensions.

Circuit Diagram



Packing Specifications

Bulk

Number of	1 case / Japan	2,000
packages (pcs.)	1 case / export packing	10,000

Export package measurements (mm) 400 × 270 × 290

Soldering Conditions

Reference for Dip Soldering

Items	Preheating temperature	100°C
	Preheating time	60s max.
Dip soldering	Soldering temperature	260 ± 5°C
	Duration of immersion	3 ± 1s

Reference for Hand Soldering

Soldering temperature 350 ± 10°C

Soldering time 4s max.

Notes are common to this series/models.

1. This site catalog shows only outline specifications. When using the products, please obtain formal specifications for supply.
2. Please place purchase orders per minimum order unit (integer).
3. Products other than those listed in the above chart are also available. Please contact us for details.

Inquiries about Products

[Inquiry](#)

COPYRIGHT© 2020 ALPS ALPINE CO., LTD