

**ALPSALPINE****ALPSALPINE**

X CLOSE

Slide Switch &gt; SSSS9 Series &gt; SSSS916400

## 5.0(H)mm, 2.0mm-travel Type SSSS9 Series

| [Dimensions](#) | [Mounting Hole Dimensions](#) | [Circuit Diagram](#) | [Packing Specifications](#) |  
 | [Soldering Conditions](#) |

Part number [Series Common Info](#)**SSSS916400**
 NET SHOP

 3D CAD

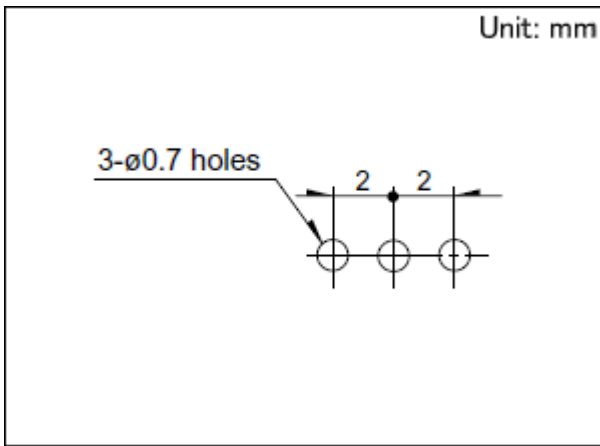
 RoHS

 Print

 Inquiry

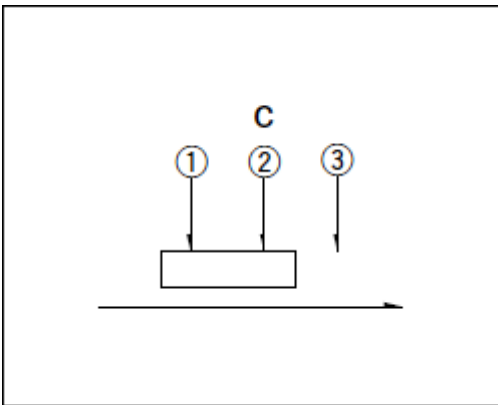
Travel	2mm
Actuator directions	Horizontal
Actuator length	4mm
Poles	1
Positions	2
Operating force	3 ± 1.5N
Mounting method	Standard
Changeover timing	Non shorting
Soldering	Manual, Dip
Operating temperature range	-40°C to +85°C





Viewed from direction A in the dimensions.

## Circuit Diagram



## Packing Specifications

### Bulk

Number of	1 case / Japan	1,000
packages (pcs.)	1 case / export packing	5,000

Export package measurements (mm) 400 × 270 × 290

## Soldering Conditions

### Reference for Dip Soldering

Items	Preheating temperature	120°C max.
	Preheating time	60s max.

Dip soldering Soldering temperature  $260 \pm 5^{\circ}\text{C}$   
Duration of immersion  $5+0/-1\text{s}$  (2 times)

### Reference for Hand Soldering

Soldering temperature  $350 \pm 10^{\circ}\text{C}$

Soldering time 3s max.

### Notes are common to this series/models.

1. This site catalog shows only outline specifications. When using the products, please obtain formal specifications for supply.
2. Please place purchase orders per minimum order unit (integer).
3. Products other than those listed in the above chart are also available. Please contact us for details.
4. Please contact us for automotive use products.

### Inquiries about Products

[Inquiry](#)

COPYRIGHT© 2020 ALPS ALPINE CO., LTD