

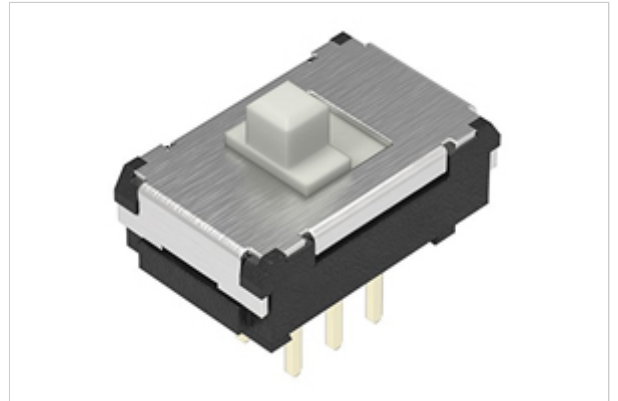
**ALPSALPINE****ALPSALPINE**

X CLOSE

Slide Switch &gt; SSSS9 Series &gt; SSSS922000

## 5.0(H)mm, 2.0mm-travel Type SSSS9 Series

| [Dimensions](#) | [Mounting Hole Dimensions](#) | [Circuit Diagram](#) | [Packing Specifications](#) |  
 | [Soldering Conditions](#) |

Part number [Series Common Info](#)**SSSS922000**
 NET SHOP

 3D CAD

 RoHS

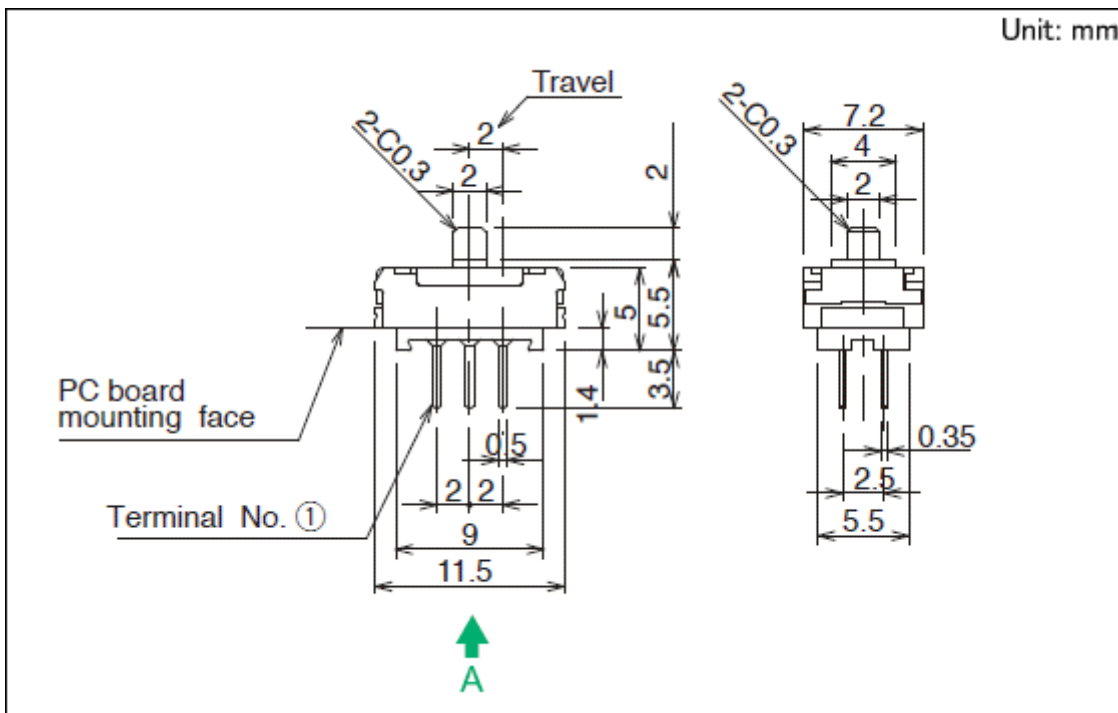
 Print

 Inquiry

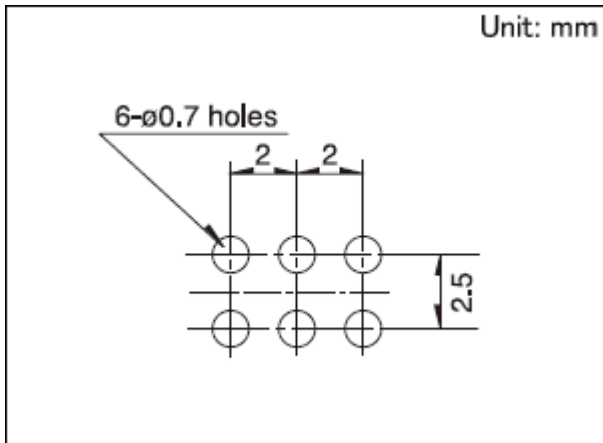
Travel	2mm
Actuator directions	Vertical
Actuator length	2mm
Poles	2
Positions	2
Operating force	3 ± 1.5N
Mounting method	Standard
Changeover timing	Non shorting
Soldering	Manual, Dip
Operating temperature range	-40°C to +85°C

Rating (max.)/(min.) (Resistive load)		0.1A 12V DC/1mA 5V DC
Electrical performance	Contact resistance (Initial performance/After lifetime)	30mΩ max./80mΩ max.
	Insulation resistance	100MΩ min. 500V DC
	Voltage proof	500V AC for 1 minute
	Terminal strength	3N for 1 minute
Mechanical performance	Actuator strength	Operating direction 30N Pulling direction 10N
	Operating life without load	10,000 cycles 60mΩ max.
Durability	Operating life with load (at max. rated load)	10,000 cycles 80mΩ max.
	Cold	-40°C 500h
Environmental performance	Dry heat	85°C 500h
	Damp heat	60°C, 90 to 95%RH 500h
Minimum order unit (pcs.)	Japan	1,000
	Export	5,000

## Dimensions

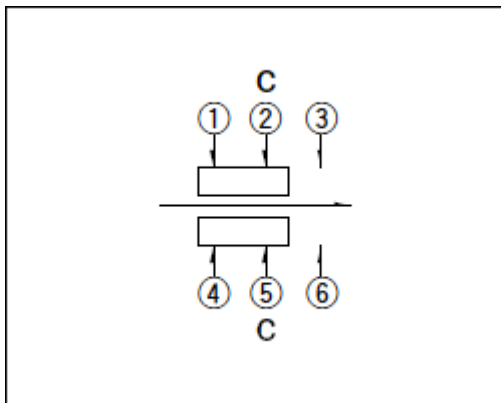


## Mounting Hole Dimensions



Viewed from direction A in the dimensions.

## Circuit Diagram



## Packing Specifications

### Bulk

Number of	1 case / Japan	1,000
packages (pcs.)	1 case / export packing	5,000

Export package measurements (mm) 400 × 270 × 290

## Soldering Conditions

### Reference for Dip Soldering

Items	Preheating temperature	120°C max.
	Preheating time	60s max.
Dip soldering	Soldering temperature	260 ± 5°C
	Duration of immersion	5+0/-1s (2 times)

### Reference for Hand Soldering

Soldering temperature 350 ± 10°C

Soldering time 3s max.

### Notes are common to this series/models.

1. This site catalog shows only outline specifications. When using the products, please obtain formal specifications for supply.
2. Please place purchase orders per minimum order unit (integer).
3. Products other than those listed in the above chart are also available. Please contact us for details.
4. Please contact us for automotive use products.

### Inquiries about Products

[Inquiry](#)

COPYRIGHT© 2020 ALPS ALPINE CO., LTD