

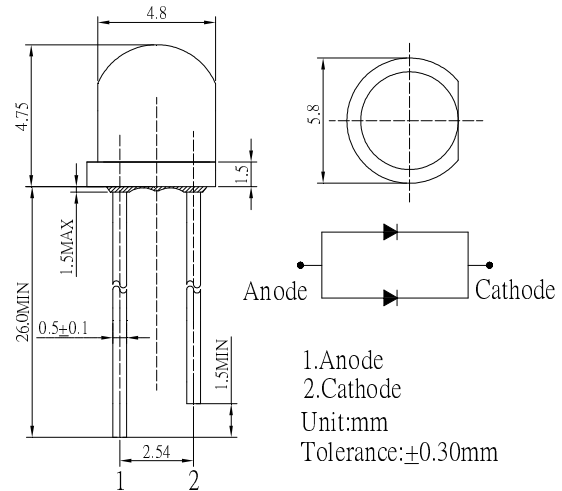
■Features

- Highest Luminous Flux
- 4.8mm Straw Standard Directivity
- Long Lifetime Operation
- Superior UV Resistance
- Water Clear Type

■Applications

- Electronic Signs And Signals
- Small Area Illuminations
- Back Lighting
- Other Lighting
- Bollards / Security / Garden
- Traffic signaling / Beacons

■Outline Dimension



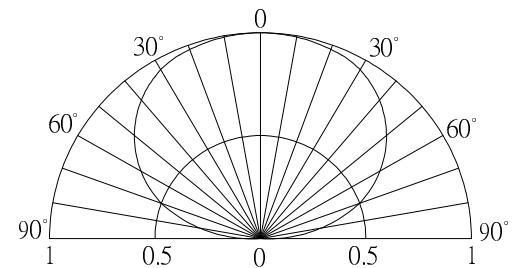
■Absolute Maximum Rating

(Ta=25°C)

Item	Symbol	Value		Unit
		B/PG	R/Y	
DC Forward Current	I _F	60	80	mA
Pulse Forward Current*	I _{FP}	150	150	mA
Reverse Voltage	V _R	5	5	V
Power Dissipation	P _D	216	208	mW
Operating Temperature	Topr	-40 ~ +85		°C
Storage Temperature	Tstg	-40~ +85		°C
Lead Soldering Temperature	Tsol	260°C/5sec		-





*Pulse width Max 0.1ms, Duty ratio max 1/10

■Directivity



■Electrical -Optical Characteristics

(Ta=25°C)

Part Number	Color			V _F (V)			I _R (μA)	Φ _v (lm)*			λD (nm)*			2θ1/2(deg)
				Min.	Typ.	Max.	Max.	Min.	Typ.	Max.	Min.	Typ.	Max.	Typ.
				I _F =60mA			V _R =5V		I _F =60mA					
OSB56D56E1A	Blue	B		2.8	3.1	3.6	20	6	8	-	465	470	475	140
OSG58D56E1A	Pure Green	G		2.8	3.1	3.6	20	16	20	-	520	525	530	140
OS5YKD56E1A	Yellow	Y		1.8	2.1	2.6	20	8	10	-	585	590	595	140
OS5RKD56E1A	Red	R		1.8	2.1	2.6	20	8	10	-	620	625	630	140

Note: *1. Dominant wavelength tolerance: ±1nm

*2. Tolerance of luminous Flux is ±15%